

# PARTS CATALOGUE



## SCOOTERS

SJ40AA(TK)

DINK 200i



Release Date : 2011/05/04  
Print Date : 2011/07/07

## ABOUT THIS PARTS LIST

- This parts list is compiled all service parts for model SJ40AA(TK).
- Any difference between color chart and motorcycle will be revised according to motorcycle.
- The Mark:
  1. Marking "\*\*\*" must add color code in the end before ordering parts.
  2. Marking "#" are parts with modification, Please find the details from e-Parts system.
- When modification or additions to this parts list are made a revised edition at an appropriate time.



# CONTENTS

|                                   |     |
|-----------------------------------|-----|
| ● ABOUT THIS PARTS LIST .....     | 1   |
| ● COLOR CHART OF SJ40AA(TK) ..... | 3   |
| ● CONTENTS-ENGINE GROUP .....     | 11  |
| ● CONTENTS-FRAME GROUP .....      | 12  |
| ● ENGINE PARTS LIST .....         | 15  |
| ● FRAME PARTS LIST .....          | 51  |
| ● PART NO. INDEX .....            | 127 |

| NO                     | MODEL              |                |         | COLOR CHART OF SJ40AA(TK) |                     |               |                |     |  |  |  |
|------------------------|--------------------|----------------|---------|---------------------------|---------------------|---------------|----------------|-----|--|--|--|
|                        | PHOTO NO           |                |         | NO. 1                     | NO. 2               | NO. 3         | NO. 4          |     |  |  |  |
|                        | BASIC COLOR        |                |         | Black Blue                | Light Blue Metallic | Black Diamond | Silver Crystal |     |  |  |  |
|                        | CODE               |                |         | Black Blue                | Light Blue Metallic | Black Diamond | Silver Crystal |     |  |  |  |
|                        | PARTS NAME         | PARTS NO.      | VERSION | PB184PA                   | PB281MA             | NH191MA       | NH263MA        |     |  |  |  |
| 1                      | COVER COMP RIGHT   | 11330-KKC3-900 | 6       | HJA                       |                     |               |                |     |  |  |  |
| 2                      | COVER L            | 11341-KKC3-900 | 7       |                           |                     |               |                |     |  |  |  |
| 3                      | HOLE CAP TAPPET    | 12361-LEA5-E00 | 1       |                           |                     |               |                |     |  |  |  |
| 4                      | WHEEL COMP RR CAST | 42601-KHD8-90A | 3       |                           |                     |               |                |     |  |  |  |
| 5                      | WHEEL RR CAST      | 42601-KHD8-90B | 2       |                           |                     |               |                |     |  |  |  |
| 6                      | WHEEL RR CAST      | 42601-KHD8-90C | 2       |                           |                     |               |                |     |  |  |  |
| 7                      | WHEEL SET FR       | 44650-LEA5-305 | 0       |                           |                     |               |                |     |  |  |  |
| 8                      | CAP A.C.G          | 90084-LEA5-001 | 1       |                           |                     |               |                |     |  |  |  |
| 9                      | CAP ASSY 30MM      | 9008A-LEA5-001 | 1       |                           |                     |               |                |     |  |  |  |
| 10                     | TAIL CAP MUFFLER   | 18307-LDB2-E00 | 0       |                           |                     |               |                | HJP |  |  |  |
| 11                     | MUFFLER ASSY       | 1830A-LEA6-E01 | 1       |                           |                     |               |                |     |  |  |  |
| 12                     | PROTECTOR MUFFLER  | 18318-LEA5-E00 | 2       |                           |                     |               |                |     |  |  |  |
| 13                     | VISOR METER        | 64210-LEA5-E00 | 5       | LRR                       |                     |               |                |     |  |  |  |
| 14                     | COVER BATTERY      | 50326-LEA5-E00 | 2       |                           |                     |               |                |     |  |  |  |
| 15                     | COVER UNDER        | 50613-LEA5-E00 | 4       | N1R                       |                     |               |                |     |  |  |  |
| 16                     | GRIP COMP THROT    | 53140-KKC3-900 | 0       |                           |                     |               |                |     |  |  |  |
| 17                     | GRIP L HANDLE      | 53166-KGB5-900 | 0       |                           |                     |               |                |     |  |  |  |
| 18                     | COVER METER        | 53204-LEA5-E00 | 2       |                           |                     |               |                |     |  |  |  |
| 19                     | COVER HNDL UP      | 53205-LEA5-E00 | 3       |                           |                     |               |                |     |  |  |  |
| 20                     | COVER R HANDLE LOW | 53206-LEA5-E00 | 3       |                           |                     |               |                |     |  |  |  |
| 21                     | COVER ASSY VISOR   | 6421B-LEA5-E00 | 2       |                           |                     |               |                |     |  |  |  |
| 22                     | FR GRILL           | 64303-LEA5-E00 | 4       |                           |                     |               |                |     |  |  |  |
| 23                     | LID COVER FR       | 64304-LEA5-E00 | 2       |                           |                     |               |                |     |  |  |  |
| 24                     | FLOOR PANEL        | 64310-LEA5-E00 | 3       |                           |                     |               |                |     |  |  |  |
| 25                     | PLUG FLOOR         | 64316-KHE2-900 | 1       |                           |                     |               |                |     |  |  |  |
| DATE OF STARTING-SALES |                    |                |         |                           |                     |               |                |     |  |  |  |
| DATE OF END-SALES      |                    |                |         |                           |                     |               |                |     |  |  |  |

| NO                     | MODEL              |                |         | COLOR CHART OF SJ40AA(TK) |              |                      |         |
|------------------------|--------------------|----------------|---------|---------------------------|--------------|----------------------|---------|
|                        | PHOTO NO           |                |         | NO. 5                     | NO. 6        | NO. 7                | NO. 8   |
|                        | BASIC COLOR        |                |         | Bright Silver             | Pearly White | Deep Silver Metallic | Red     |
|                        | CODE               |                |         | Bright Silver             | Pearly White | Deep Silver Metallic | Red     |
|                        | PARTS NAME         | PARTS NO.      | VERSION | NH045MA                   | NH193PA      | NH232MA              | RR123PA |
| 1                      | COVER COMP RIGHT   | 11330-KKC3-900 | 6       | HJA                       |              |                      |         |
| 2                      | COVER L            | 11341-KKC3-900 | 7       |                           |              |                      |         |
| 3                      | HOLE CAP TAPPET    | 12361-LEA5-E00 | 1       |                           |              |                      |         |
| 4                      | WHEEL COMP RR CAST | 42601-KHD8-90A | 3       |                           |              |                      |         |
| 5                      | WHEEL RR CAST      | 42601-KHD8-90B | 2       |                           |              |                      |         |
| 6                      | WHEEL RR CAST      | 42601-KHD8-90C | 2       |                           |              |                      |         |
| 7                      | WHEEL SET FR       | 44650-LEA5-305 | 0       |                           |              |                      |         |
| 8                      | CAP A.C.G          | 90084-LEA5-001 | 1       |                           |              |                      |         |
| 9                      | CAP ASSY 30MM      | 9008A-LEA5-001 | 1       |                           |              |                      |         |
| 10                     | TAIL CAP MUFFLER   | 18307-LDB2-E00 | 0       |                           |              |                      |         |
| 11                     | MUFFLER ASSY       | 1830A-LEA6-E01 | 1       |                           |              |                      |         |
| 12                     | PROTECTOR MUFFLER  | 18318-LEA5-E00 | 2       | LRR                       |              |                      |         |
| 13                     | VISOR METER        | 64210-LEA5-E00 | 5       |                           |              |                      |         |
| 14                     | COVER BATTERY      | 50326-LEA5-E00 | 2       |                           |              |                      |         |
| 15                     | COVER UNDER        | 50613-LEA5-E00 | 4       | N1R                       |              |                      |         |
| 16                     | GRIP COMP THROT    | 53140-KKC3-900 | 0       |                           |              |                      |         |
| 17                     | GRIP L HANDLE      | 53166-KGB5-900 | 0       |                           |              |                      |         |
| 18                     | COVER METER        | 53204-LEA5-E00 | 2       |                           |              |                      |         |
| 19                     | COVER HNDL UP      | 53205-LEA5-E00 | 3       |                           |              |                      |         |
| 20                     | COVER R HANDLE LOW | 53206-LEA5-E00 | 3       |                           |              |                      |         |
| 21                     | COVER ASSY VISOR   | 6421B-LEA5-E00 | 2       |                           |              |                      |         |
| 22                     | FR GRILL           | 64303-LEA5-E00 | 4       |                           |              |                      |         |
| 23                     | LID COVER FR       | 64304-LEA5-E00 | 2       |                           |              |                      |         |
| 24                     | FLOOR PANEL        | 64310-LEA5-E00 | 3       |                           |              |                      |         |
| 25                     | PLUG FLOOR         | 64316-KHE2-900 | 1       |                           |              |                      |         |
| DATE OF STARTING-SALES |                    |                |         |                           |              |                      |         |
| DATE OF END-SALES      |                    |                |         |                           |              |                      |         |

| NO                     | MODEL                |                |         | COLOR CHART OF SJ40AA(TK) |                     |               |                |     |     |     |     |
|------------------------|----------------------|----------------|---------|---------------------------|---------------------|---------------|----------------|-----|-----|-----|-----|
|                        | PHOTO NO             |                |         | NO. 1                     | NO. 2               | NO. 3         | NO. 4          |     |     |     |     |
|                        | BASIC COLOR          |                |         | Black Blue                | Light Blue Metallic | Black Diamond | Silver Crystal |     |     |     |     |
|                        | CODE                 |                |         | Black Blue                | Light Blue Metallic | Black Diamond | Silver Crystal |     |     |     |     |
|                        | PARTS NAME           | PARTS NO.      | VERSION | PB184PA                   | PB281MA             | NH191MA       | NH263MA        |     |     |     |     |
| 26                     | FENDER RR            | 80105-LEA5-E00 | 3       | N1R                       |                     |               |                |     |     |     |     |
| 27                     | FENDER RR INNER      | 80106-LEA5-E00 | 6       |                           |                     |               |                |     |     |     |     |
| 28                     | COVER CENTER         | 80151-LEA5-E00 | 2       |                           |                     |               |                |     |     |     |     |
| 29                     | LEG SHIELD           | 81131-LEA5-E00 | 3       |                           |                     |               |                |     |     |     |     |
| 30                     | LID RESERVE TANK     | 81136-LEA5-E00 | 3       |                           |                     |               |                |     |     |     |     |
| 31                     | LID LEG SHIELD       | 81142-KUDU-900 | 1       |                           |                     |               |                |     |     |     |     |
| 32                     | COVER BATTERY        | 81253-LEA5-E00 | 3       |                           |                     |               |                |     |     |     |     |
| 33                     | COVER PROTECTOR      | 83503-KHD6-900 | 2       |                           |                     |               |                |     |     |     |     |
| 34                     | COVER R SIDE         | 83520-LEA5-E00 | 2       |                           |                     |               |                |     |     |     |     |
| 35                     | COVER L SIDE         | 83620-LEA5-E00 | 2       |                           |                     |               |                |     |     |     |     |
| 36                     | BAND HARNESS WIRE    | 90656-KUDU-900 | 0       | N1S                       |                     |               |                |     |     |     |     |
| 37                     | DISK FR BRAKE        | 45351-LEA5-E00 | 2       |                           |                     |               |                |     |     |     |     |
| 38                     | FENDER FR            | 61100-LEA5-E00 | 4       |                           |                     |               |                |     |     |     |     |
| 39                     | COVER FR             | 64301-LEA5-E00 | 2       |                           |                     |               |                |     |     |     |     |
| 40                     | SKIRT R SIDE         | 64305-LEA5-E00 | 3       |                           |                     |               |                |     |     |     |     |
| 41                     | SKIRT L SIDE         | 64306-LEA5-E00 | 3       |                           |                     |               |                |     |     |     |     |
| 42                     | COWL UNDER           | 64400-LEA5-E00 | 2       |                           |                     |               |                | BJP | CAP | HTP | HUP |
| 43                     | COVER R BODY         | 83500-LEA5-E00 | 2       |                           |                     |               |                |     |     |     |     |
| 44                     | COVER L BODY         | 83600-LEA5-E00 | 2       |                           |                     |               |                |     |     |     |     |
| 45                     | MOLDING RR CENTER    | 83751-LEA5-E00 | 3       |                           |                     |               |                | NEA |     |     |     |
| 46                     | COVER RR CENTER      | 8375A-LEA5-E00 | 2       |                           |                     |               |                |     |     |     |     |
| 47                     | CALIPER ASSY RR      | 43100-LEA5-900 | 1       |                           |                     |               |                |     |     |     |     |
| 48                     | BRACKET RR           | 43210-KEBE-900 | 2       |                           |                     |               |                |     |     |     |     |
| 49                     | CALIPER ASSY FR      | 45200-LEA5-E00 | 1       |                           |                     |               |                |     |     |     |     |
| 50                     | MIRROR ASSY.. R BACK | 88110-LEA6-900 | 4       | NEP                       |                     |               |                |     |     |     |     |
| DATE OF STARTING-SALES |                      |                |         |                           |                     |               |                |     |     |     |     |
| DATE OF END-SALES      |                      |                |         |                           |                     |               |                |     |     |     |     |

| NO                     | MODEL                |                |         | COLOR CHART OF SJ40AA(TK) |              |                      |         |     |     |     |     |
|------------------------|----------------------|----------------|---------|---------------------------|--------------|----------------------|---------|-----|-----|-----|-----|
|                        | PHOTO NO             |                |         | NO. 5                     | NO. 6        | NO. 7                | NO. 8   |     |     |     |     |
|                        | BASIC COLOR          |                |         | Bright Silver             | Pearly White | Deep Silver Metallic | Red     |     |     |     |     |
|                        | CODE                 |                |         | Bright Silver             | Pearly White | Deep Silver Metallic | Red     |     |     |     |     |
|                        | PARTS NAME           | PARTS NO.      | VERSION | NH045MA                   | NH193PA      | NH232MA              | RR123PA |     |     |     |     |
| 26                     | FENDER RR            | 80105-LEA5-E00 | 3       | N1R                       |              |                      |         |     |     |     |     |
| 27                     | FENDER RR INNER      | 80106-LEA5-E00 | 6       |                           |              |                      |         |     |     |     |     |
| 28                     | COVER CENTER         | 80151-LEA5-E00 | 2       |                           |              |                      |         |     |     |     |     |
| 29                     | LEG SHIELD           | 81131-LEA5-E00 | 3       |                           |              |                      |         |     |     |     |     |
| 30                     | LID RESERVE TANK     | 81136-LEA5-E00 | 3       |                           |              |                      |         |     |     |     |     |
| 31                     | LID LEG SHIELD       | 81142-KUDU-900 | 1       |                           |              |                      |         |     |     |     |     |
| 32                     | COVER BATTERY        | 81253-LEA5-E00 | 3       |                           |              |                      |         |     |     |     |     |
| 33                     | COVER PROTECTOR      | 83503-KHD6-900 | 2       |                           |              |                      |         |     |     |     |     |
| 34                     | COVER R SIDE         | 83520-LEA5-E00 | 2       |                           |              |                      |         |     |     |     |     |
| 35                     | COVER L SIDE         | 83620-LEA5-E00 | 2       |                           |              |                      |         |     |     |     |     |
| 36                     | BAND HARNESS WIRE    | 90656-KUDU-900 | 0       | N1S                       |              |                      |         |     |     |     |     |
| 37                     | DISK FR BRAKE        | 45351-LEA5-E00 | 2       |                           |              |                      |         |     |     |     |     |
| 38                     | FENDER FR            | 61100-LEA5-E00 | 4       |                           |              |                      |         |     |     |     |     |
| 39                     | COVER FR             | 64301-LEA5-E00 | 2       |                           |              |                      |         |     |     |     |     |
| 40                     | SKIRT R SIDE         | 64305-LEA5-E00 | 3       |                           |              |                      |         |     |     |     |     |
| 41                     | SKIRT L SIDE         | 64306-LEA5-E00 | 3       |                           |              |                      |         |     |     |     |     |
| 42                     | COWL UNDER           | 64400-LEA5-E00 | 2       |                           |              |                      |         | N8P | NVP | NZP | R6P |
| 43                     | COVER R BODY         | 83500-LEA5-E00 | 2       |                           |              |                      |         |     |     |     |     |
| 44                     | COVER L BODY         | 83600-LEA5-E00 | 2       |                           |              |                      |         |     |     |     |     |
| 45                     | MOLDING RR CENTER    | 83751-LEA5-E00 | 3       |                           |              |                      |         | NEA |     |     |     |
| 46                     | COVER RR CENTER      | 8375A-LEA5-E00 | 2       |                           |              |                      |         |     |     |     |     |
| 47                     | CALIPER ASSY RR      | 43100-LEA5-900 | 1       |                           |              |                      |         |     |     |     |     |
| 48                     | BRACKET RR           | 43210-KEBE-900 | 2       |                           |              |                      |         |     |     |     |     |
| 49                     | CALIPER ASSY FR      | 45200-LEA5-E00 | 1       |                           |              |                      |         |     |     |     |     |
| 50                     | MIRROR ASSY.. R BACK | 88110-LEA6-900 | 4       | NEP                       |              |                      |         |     |     |     |     |
| DATE OF STARTING-SALES |                      |                |         |                           |              |                      |         |     |     |     |     |
| DATE OF END-SALES      |                      |                |         |                           |              |                      |         |     |     |     |     |

| NO                     | MODEL                |                |         | COLOR CHART OF SJ40AA(TK) |                     |               |                |     |  |  |  |
|------------------------|----------------------|----------------|---------|---------------------------|---------------------|---------------|----------------|-----|--|--|--|
|                        | PHOTO NO             |                |         | NO. 1                     | NO. 2               | NO. 3         | NO. 4          |     |  |  |  |
|                        | BASIC COLOR          |                |         | Black Blue                | Light Blue Metallic | Black Diamond | Silver Crystal |     |  |  |  |
|                        | CODE                 |                |         | Black Blue                | Light Blue Metallic | Black Diamond | Silver Crystal |     |  |  |  |
|                        | PARTS NAME           | PARTS NO.      | VERSION | PB184PA                   | PB281MA             | NH191MA       | NH263MA        |     |  |  |  |
| 51                     | MIRROR ASSY.. L BACK | 88120-LEA6-900 | 4       | NEP                       |                     |               |                |     |  |  |  |
| 52                     | CUSHION ASSY R RR    | 52400-LEA5-E00 | 3       | NES                       |                     |               |                |     |  |  |  |
| 53                     | END HANDLE           | 53102-LEA5-E00 | 3       |                           |                     |               |                |     |  |  |  |
| 54                     | END R STRG HANDLE    | 53105-LEA5-E00 | 3       |                           |                     |               |                |     |  |  |  |
| 55                     | CAP COMP FUEL FILLER | 17620-LLJ3-E0A | 3       |                           |                     |               |                |     |  |  |  |
| 56                     | CAP COMP FUEL FILLER | 17620-LLJ3-E0B | 3       | NYA                       |                     |               |                |     |  |  |  |
| 57                     | FORK ASSY R FR       | 51400-LEA5-E00 | 2       |                           |                     |               |                |     |  |  |  |
| 58                     | BOTTOM CASE R        | 51420-KHD8-900 | 0       |                           |                     |               |                |     |  |  |  |
| 59                     | FORK SET L FR        | 51500-LEA5-E00 | 2       |                           |                     |               |                |     |  |  |  |
| 60                     | BOTTOM CASE L        | 51520-KHD8-900 | 0       |                           |                     |               |                |     |  |  |  |
| 61                     | FORK ASSY REAR       | 52000-LEA5-E00 | 6       |                           |                     |               |                |     |  |  |  |
| 62                     | CARRIER ASSY RR      | 8120A-LEA5-E00 | 2       |                           |                     |               |                |     |  |  |  |
| 63                     | BAR-RR CARRIER       | 81205-LEA5-E00 | 2       |                           |                     |               |                | NYS |  |  |  |
| 64                     | REPLACEMENT ASSY     | 77200-LEA5-305 | 0       |                           |                     |               |                | T01 |  |  |  |
| 65                     | SEAT ASSY BACK       | 77210-LEA5-E00 | 2       |                           |                     |               |                |     |  |  |  |
| 66                     | EMB K-LOGO 38MM      | 86102-LCD3-E00 | 3       |                           |                     |               |                |     |  |  |  |
| 67                     | EMB K-LOGO 30MM      | 86102-LEA5-E00 | 1       |                           |                     |               |                |     |  |  |  |
| 68                     | EMB BODY COVER       | 86202-LEA5-E00 | 1       |                           |                     |               |                |     |  |  |  |
| 69                     | EMB I MARK           | 87140-LDG7-E00 | 2       |                           |                     |               |                |     |  |  |  |
| 70                     | EMB ENG COVER        | 87140-LEA6-900 | 1       |                           |                     |               |                |     |  |  |  |
| 71                     | EMB MARK 200         | 87140-LEA6-E00 | 1       |                           |                     |               |                |     |  |  |  |
| 72                     | LABEL TIRE           | 87505-LEA5-E00 | 1       |                           |                     |               |                |     |  |  |  |
| 73                     | CAUTION SIDE STAND   | 87541-GAR1-E00 | 1       |                           |                     |               |                |     |  |  |  |
| 74                     | MARK MAINT CAUTION   | 87542-GAR1-E00 | 2       |                           |                     |               |                |     |  |  |  |
| 75                     | MARK DRIVE CAUTION   | 87560-GFY6-E00 | 3       |                           |                     |               |                |     |  |  |  |
| DATE OF STARTING-SALES |                      |                |         |                           |                     |               |                |     |  |  |  |
| DATE OF END-SALES      |                      |                |         |                           |                     |               |                |     |  |  |  |

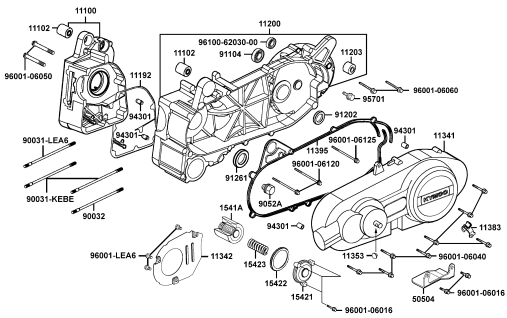
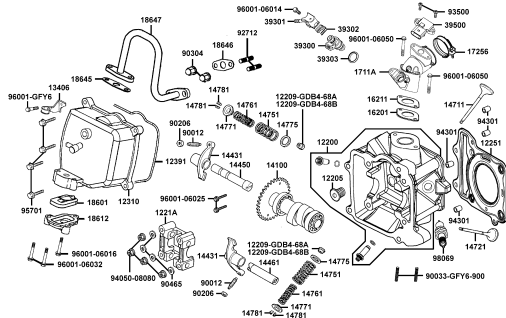
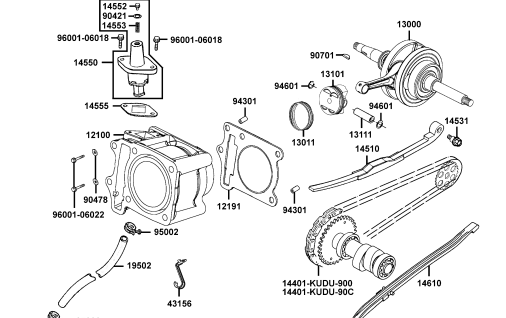
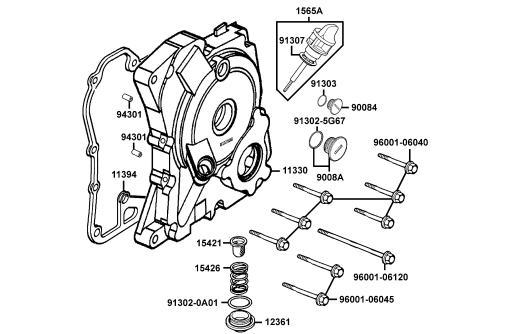
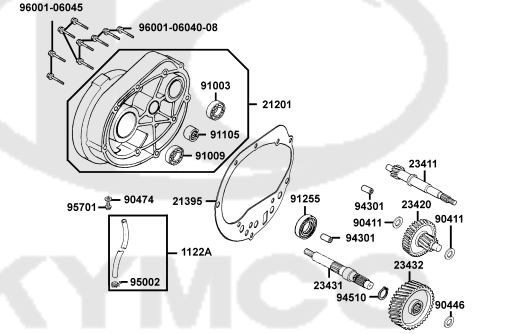
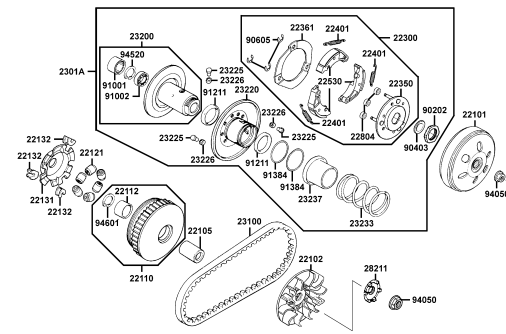
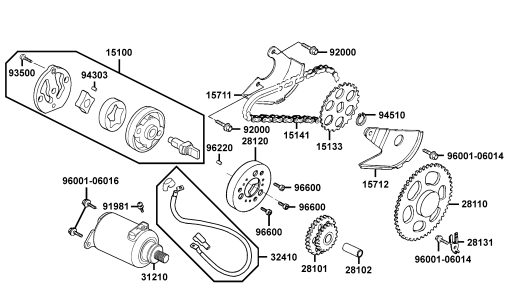
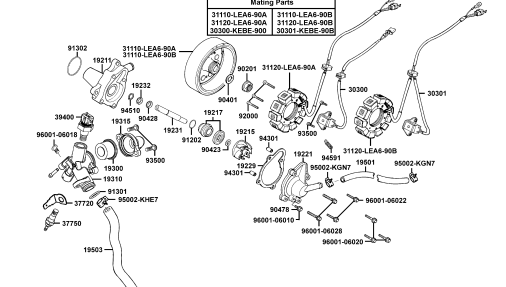
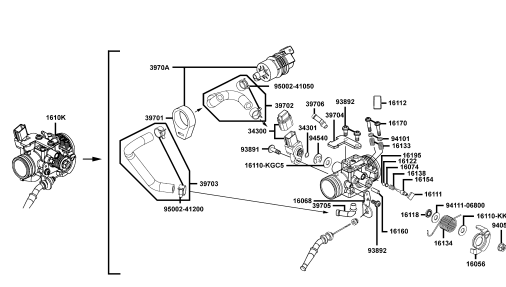


| NO                     | MODEL                |                |         | COLOR CHART OF SJ40AA(TK) |              |                      |         |
|------------------------|----------------------|----------------|---------|---------------------------|--------------|----------------------|---------|
|                        | PHOTO NO             |                |         | NO. 5                     | NO. 6        | NO. 7                | NO. 8   |
|                        | BASIC COLOR          |                |         | Bright Silver             | Pearly White | Deep Silver Metallic | Red     |
|                        | CODE                 |                |         | Bright Silver             | Pearly White | Deep Silver Metallic | Red     |
|                        | PARTS NAME           | PARTS NO.      | VERSION | NH045MA                   | NH193PA      | NH232MA              | RR123PA |
| 51                     | MIRROR ASSY.. L BACK | 88120-LEA6-900 | 4       | NEP                       |              |                      |         |
| 52                     | CUSHION ASSY R RR    | 52400-LEA5-E00 | 3       | NES                       |              |                      |         |
| 53                     | END HANDLE           | 53102-LEA5-E00 | 3       |                           |              |                      |         |
| 54                     | END R STRG HANDLE    | 53105-LEA5-E00 | 3       |                           |              |                      |         |
| 55                     | CAP COMP FUEL FILLER | 17620-LLJ3-E0A | 3       |                           |              |                      |         |
| 56                     | CAP COMP FUEL FILLER | 17620-LLJ3-E0B | 3       | NYA                       |              |                      |         |
| 57                     | FORK ASSY R FR       | 51400-LEA5-E00 | 2       |                           |              |                      |         |
| 58                     | BOTTOM CASE R        | 51420-KHD8-900 | 0       |                           |              |                      |         |
| 59                     | FORK SET L FR        | 51500-LEA5-E00 | 2       |                           |              |                      |         |
| 60                     | BOTTOM CASE L        | 51520-KHD8-900 | 0       |                           |              |                      |         |
| 61                     | FORK ASSY REAR       | 52000-LEA5-E00 | 6       |                           |              |                      |         |
| 62                     | CARRIER ASSY RR      | 8120A-LEA5-E00 | 2       |                           |              |                      |         |
| 63                     | BAR-RR CARRIER       | 81205-LEA5-E00 | 2       |                           |              |                      |         |
| 64                     | REPLACEMENT ASSY     | 77200-LEA5-305 | 0       | T01                       |              |                      |         |
| 65                     | SEAT ASSY BACK       | 77210-LEA5-E00 | 2       |                           |              |                      |         |
| 66                     | EMB K-LOGO 38MM      | 86102-LCD3-E00 | 3       |                           |              |                      |         |
| 67                     | EMB K-LOGO 30MM      | 86102-LEA5-E00 | 1       |                           |              |                      |         |
| 68                     | EMB BODY COVER       | 86202-LEA5-E00 | 1       |                           |              |                      |         |
| 69                     | EMB I MARK           | 87140-LDG7-E00 | 2       |                           |              |                      |         |
| 70                     | EMB ENG COVER        | 87140-LEA6-900 | 1       |                           |              |                      |         |
| 71                     | EMB MARK 200         | 87140-LEA6-E00 | 1       |                           |              |                      |         |
| 72                     | LABEL TIRE           | 87505-LEA5-E00 | 1       |                           |              |                      |         |
| 73                     | CAUTION SIDE STAND   | 87541-GAR1-E00 | 1       |                           |              |                      |         |
| 74                     | MARK MAINT CAUTION   | 87542-GAR1-E00 | 2       |                           |              |                      |         |
| 75                     | MARK DRIVE CAUTION   | 87560-GFY6-E00 | 3       |                           |              |                      |         |
| DATE OF STARTING-SALES |                      |                |         |                           |              |                      |         |
| DATE OF END-SALES      |                      |                |         |                           |              |                      |         |





# CONTENTS - ENGINE GROUP

|   |   |  |
|---|---|--|
| <p><b>E01 Crank Case</b></p>                   | <p><b>E02 Cylinder Head Cover Cylinder</b></p>  | <p><b>E03 Cylinder Piston Crankshaft</b></p>  |
| <p><b>E04 Right Crankcase CoverWater</b></p>  | <p><b>E05 Transmission</b></p>                 | <p><b>E06 Driven Pulley</b></p>              |
| <p><b>E07 Starting MotorOil Pump</b></p>     | <p><b>E08 Transmission</b></p>                | <p><b>E09 Carburetor</b></p>                |



# CONTENTS - FRAME GROUP

| F10 Fuel Tank | F11 Battery | F12 Body Cover Luggage Box |  |
|---------------|-------------|----------------------------|--|
|               |             |                            |  |
|               |             |                            |  |
|               |             |                            |  |

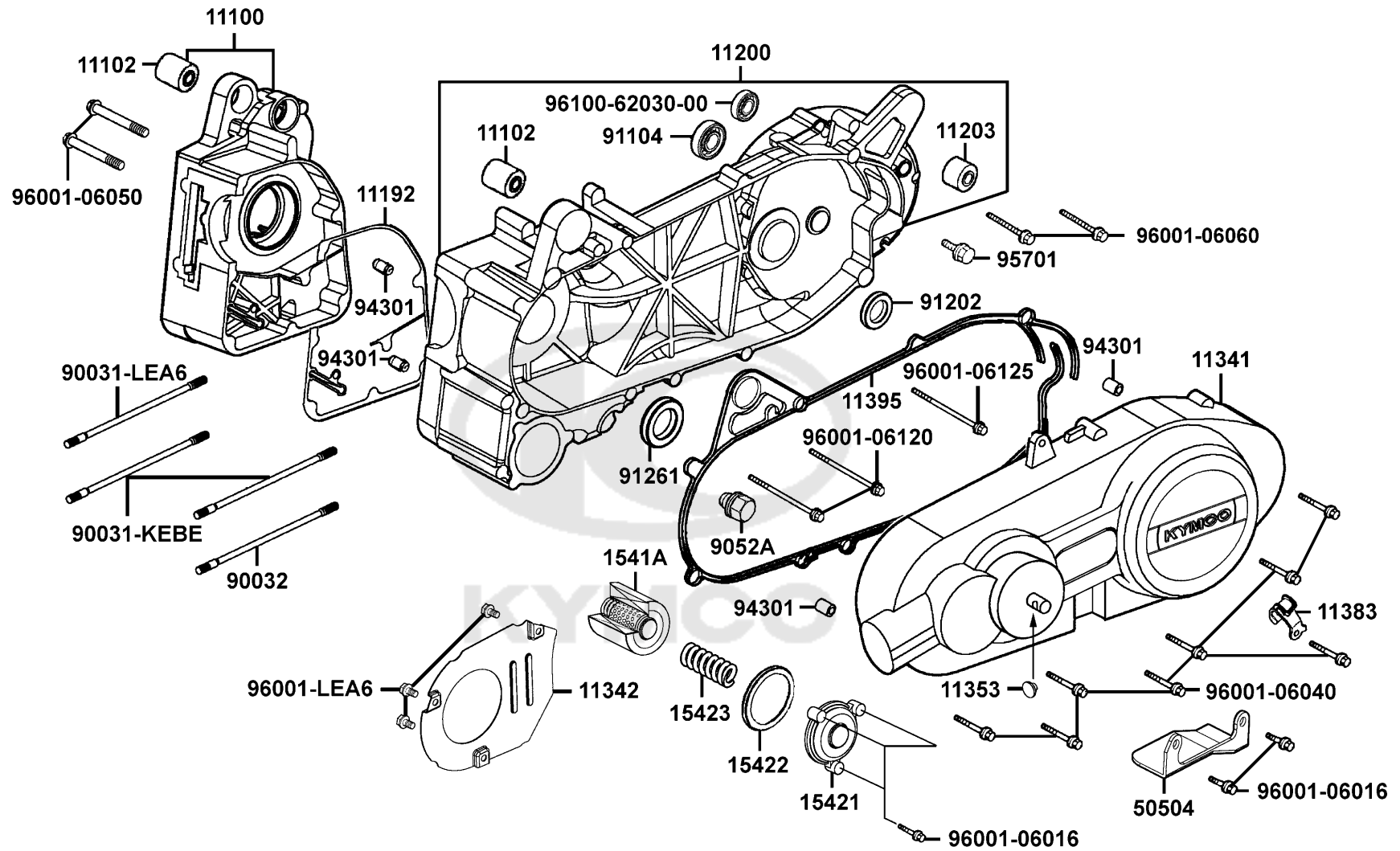
# CONTENTS - FRAME GROUP

|  |                                   |                                 |
|--|-----------------------------------|---------------------------------|
| <p><b>F19 Wire Harness</b></p>               | <p><b>F20 Frame Body</b></p>      | <p><b>F21 Radiator</b></p>      |
| <p><b>F22 Separated Parts Of Fr Fork</b></p> | <p><b>F23 Air Cleaner Two</b></p> | <p><b>F24 Caution Label</b></p> |
| <p><b>F25 Emblem/Stripe</b></p>              |                                   |                                 |



E01

Crank Case

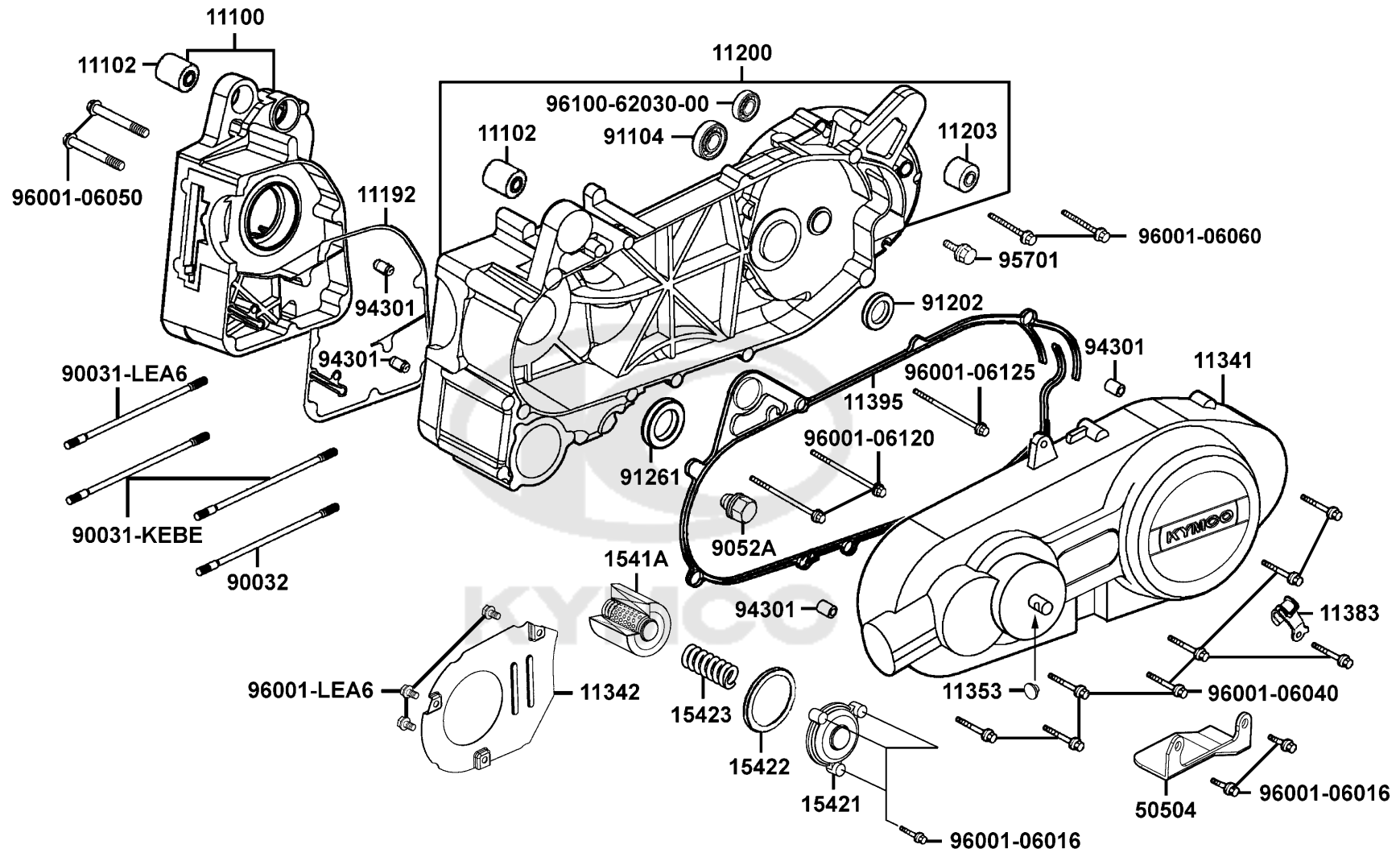




| Sales mark | Ref no     | Part no        | Description                    | Reg description                | Regd no | E01 |
|------------|------------|----------------|--------------------------------|--------------------------------|---------|-----|
|            | 11100      | 11100-LEA6-305 | CRANK CASE ASSY R              | CRANK CASE ASSY R              | 1       |     |
|            | 11102      | 11102-1G87-004 | RUB BUSH ENG HANGER            | RUB BUSH ENG HANGER            | 2       |     |
|            | 11192      | 11192-LEA5-E00 | GASKET CRANK CASE @            | GASKET CRANK CASE @            | 1       |     |
|            | 11200      | 11200-LEA6-305 | CASE SET L CRANK               | CASE SET L CRANK               | 1       |     |
|            | 11203      | 11203-GGC7-301 | UNDER RUBBER BUSH REAR CUSHION | UNDER RUBBER BUSH REAR CUSHION | 1       |     |
| **         | 11341      | 11341-KKC3-900 | COVER L                        | COVER L                        | 1       |     |
|            | 11342      | 11342-LEA6-900 | PLATE COVER L                  | PLATE COVER L                  | 1       |     |
|            | 11353      | 11353-LEA6-900 | RUBBER PLUG L COVER KICK       | RUBBER PLUG L COVER KICK       | 1       |     |
|            | 11383      | 11383-KUDU-900 | CLAMPER BREATHER DRAIN TUBE    | CLAMPER BREATHER DRAIN TUBE    | 1       |     |
|            | 11395      | 11395-LEA5-E00 | GASKET L COVER @               | GASKET L COVER @               | 1       |     |
|            | 1541A      | 1541A-KKC3-900 | ELEMENT ASSY OIL FILTER        | ELEMENT ASSY OIL FILTER        | 1       |     |
|            | 15421      | 15421-KKC3-900 | CAP OIL FILTER                 | CAP OIL FILTER                 | 1       |     |
|            | 15422      | 15422-KKC3-900 | O RING 53.65*2.62              | O RING 53.65*2.62              | 1       |     |
|            | 15423      | 15423-KKC3-900 | SPRING CAP OIL                 | SPRING CAP OIL                 | 1       |     |
|            | 50504      | 50504-LEA5-E01 | STOPPER MAIN STAND             | STOPPER MAIN STAND             | 1       |     |
|            | 90031-KEBE | 90031-KEBE-900 | BOLT A STUD 8MM                | BOLT A STUD 8MM                | 2       |     |
|            | 90031-LEA6 | 90031-LEA6-900 | BOLT A STUD 8*22               | BOLT A STUD 8*22               | 1       |     |
|            | 90032      | 90032-KEBE-900 | BOLT B STUD 8MM                | BOLT B STUD 8MM                | 1       |     |
|            | 9052A      | 9052A-GFY6-950 | BOLT ASSY DRAIN PLUG           | BOLT ASSY DRAIN PLUG           | 1       |     |
|            | 91104      | 91104-KGN7-671 | BRG BALL RADIAL 6204           | BRG BALL RADIAL 6204           | 1       |     |

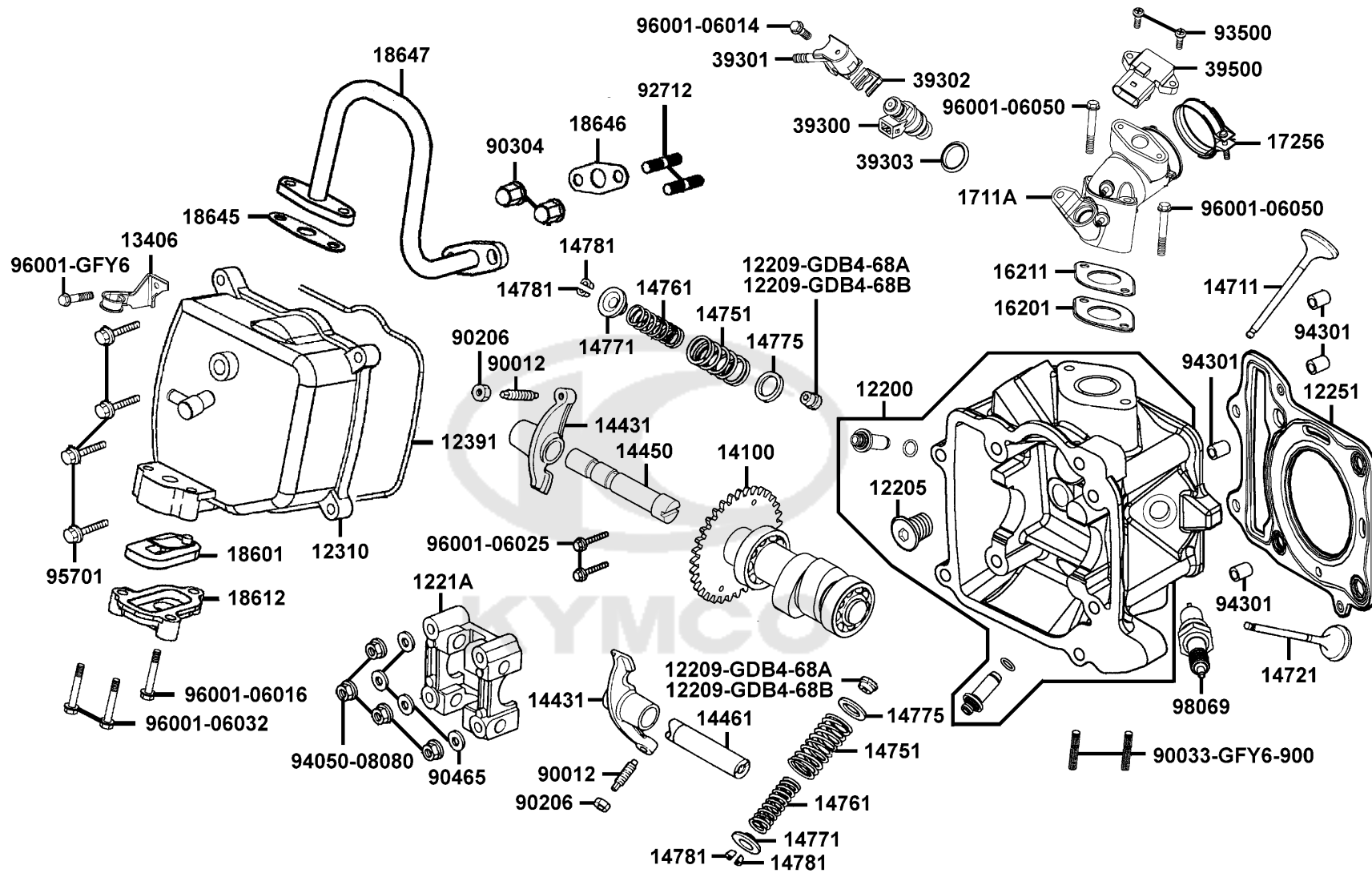
E01

Crank Case



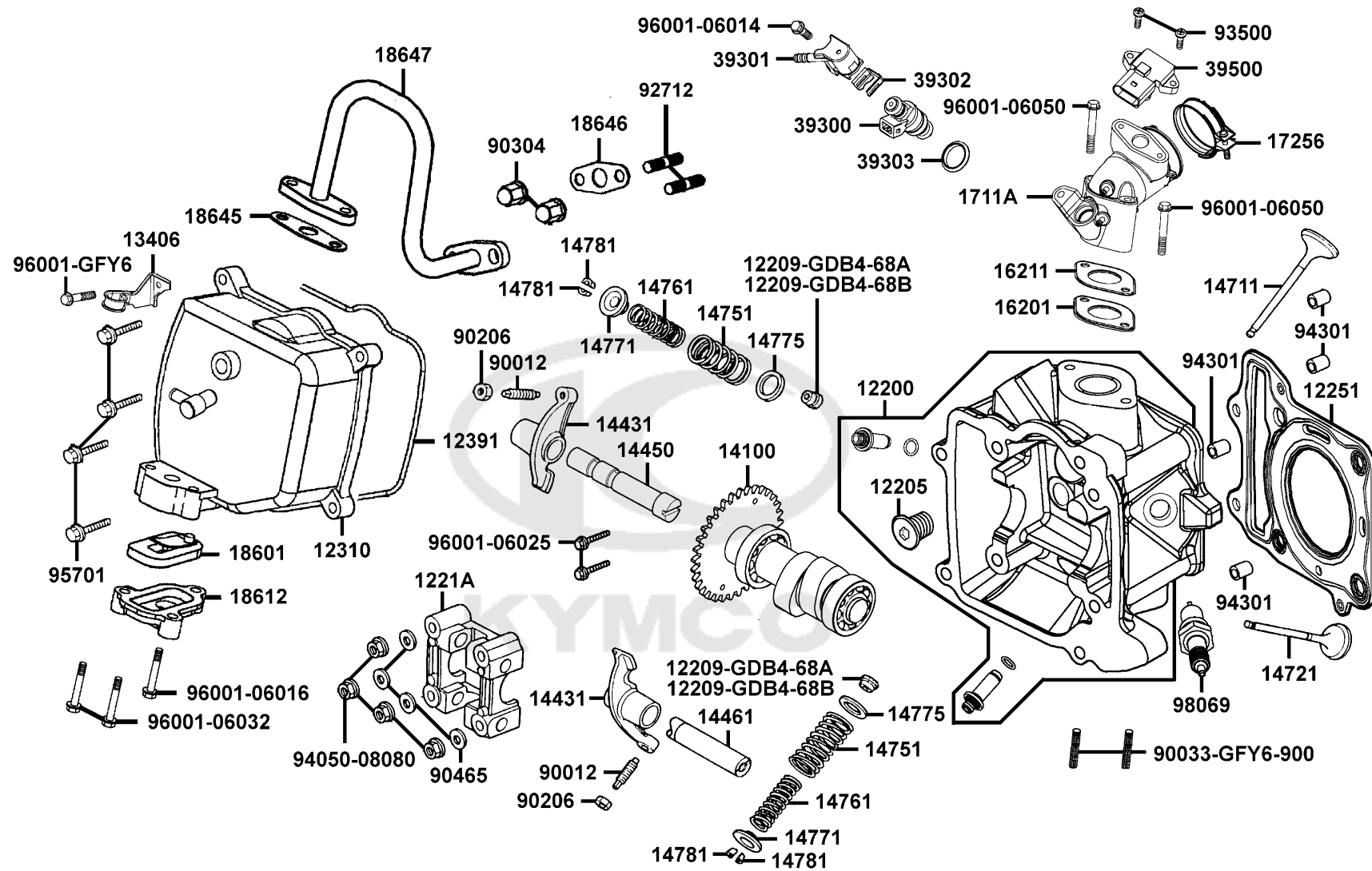
| Sales mark  | Ref no | Part no        | Description          | Reg description          | Regd no | <b>E01</b> |
|-------------|--------|----------------|----------------------|--------------------------|---------|------------|
| 91202       |        | 91202-KKJ9-004 | OIL SEAL 20*32*6     | OIL SEAL 20*32*6         | 1       |            |
| 91261       |        | 91261-4E15-004 | OIL SEAL 25*40*8     | OIL SEAL 25*40*8         | 1       |            |
| 94301       |        | 94301-08140    | DOWEL PIN 8*14       | DOWEL PIN 8*14           | 4       |            |
| 95701       |        | 95701-08012-08 | BOLT FLANGE 8*12     | BOLT FLANGE 8*12         | 1       |            |
| 96001-06016 |        | 96001-06016-08 | BOLT FLANGE SH 6*16  | BOLT FLANGE SH 6*16      | 5       |            |
| 96001-06040 |        | 96001-06040-08 | BOLT FLANGE 6*40     | BOLT FLANGE 6*40         | 8       |            |
| 96001-06050 |        | 96001-06050-08 | BOLT FLANGE 6*50     | BOLT FLANGE SH 6*50 (C)  | 2       |            |
| 96001-06060 |        | 96001-06060-08 | BOLT FLANGE SH 6*60  | BOLT FLANGE SH 6*60      | 2       |            |
| 96001-06120 |        | 96001-06120-08 | BOLT FLANGE SH 6*120 | BOLT FLANGE SH 6*120     | 2       |            |
| 96001-06125 |        | 96001-06125-08 | BOLT FLANGE SH 6*125 | BOLT FLANGE SH 6*125     | 1       |            |
| 96001-LEA6  |        | 96001-LEA6-900 | BOLT SPECIAL 6*8     | BOLT SPECIAL 6*8         | 3       |            |
| 96100       |        | 96100-62030-00 | BRG BALL RADIAL 6203 | BEARING BALL RADIAL 6203 | 1       |            |

# Cylinder Head Cover Cylinder Head



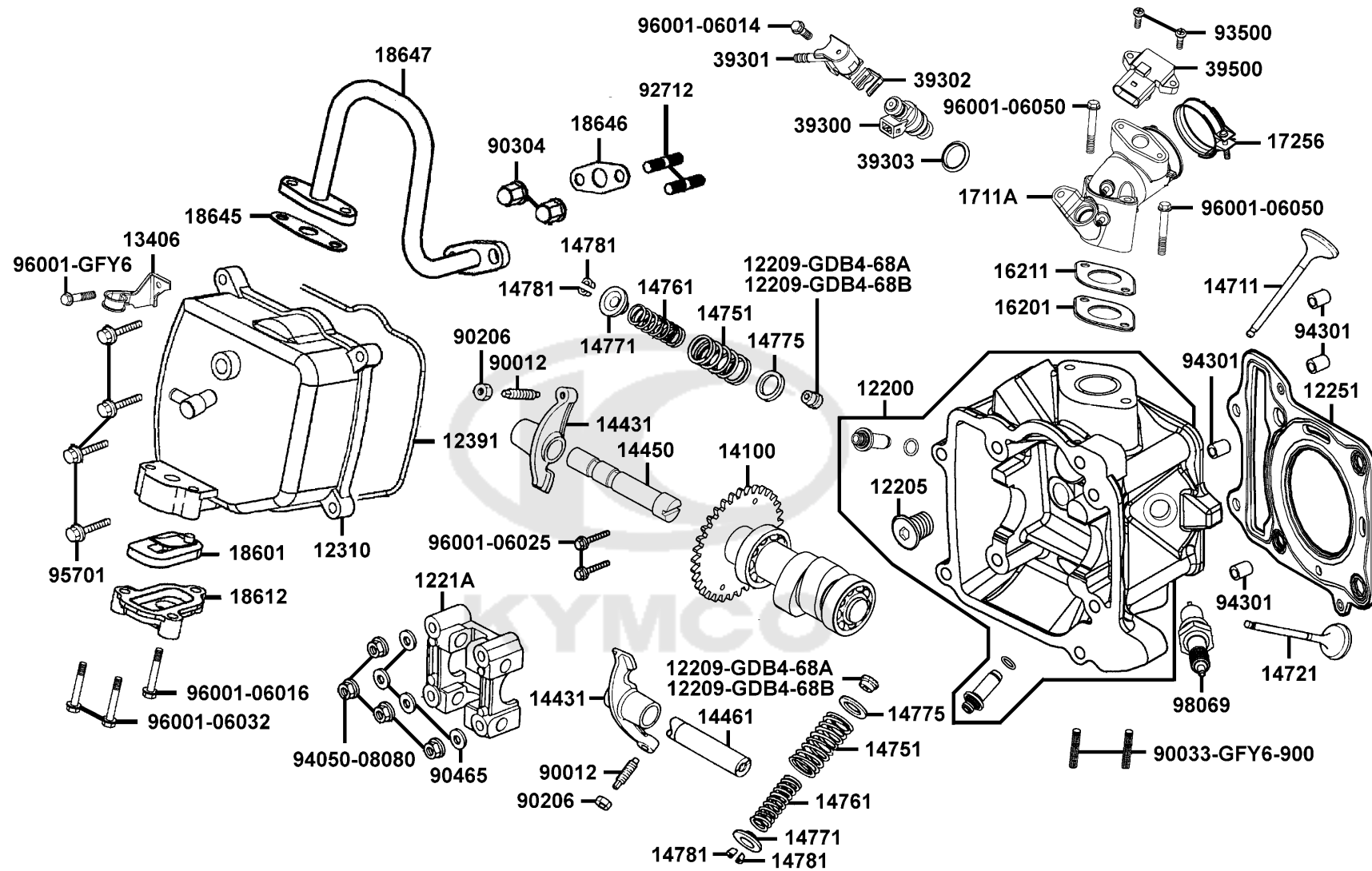
| Sales mark     | Ref no | Part no        | Description              | Reg description          | Regd no | <b>E02</b> |
|----------------|--------|----------------|--------------------------|--------------------------|---------|------------|
| 12200          |        | 12200-LEA6-900 | HEAD COMP CYL N          | HEAD COMP CYL N          | 1       |            |
| 12205          |        | 12205-KHE8-301 | BOLT SEALING 12MM        | BOLT SEALING 12MM        | 1       |            |
| 12209-GDB4-68A |        | 12209-GDB4-68A | SEAL VALVE STEM          | SEAL VALVE STEM          | 2       |            |
| 12209-GDB4-68B |        | 12209-GDB4-68B | SEAL VALVE STEM          | SEAL VALVE STEM          | 2       |            |
| 1221A          |        | 1221A-KEBE-900 | HOLDER CAM SHAFT COMP    | HOLDER CAM SHAFT COMP    | 1       |            |
| 12251          |        | 12251-LEA6-900 | GASKET CYLINDER HEAD     | GASKET CYLINDER HEAD     | 1       |            |
| 12310          |        | 12310-KEBE-900 | COVER COMP CYL N HEAD    | COVER COMP CYL N HEAD    | 1       |            |
| 12391          |        | 12391-KEBE-900 | GASKET HEAD COVER        | GASKET HEAD COVER        | 1       |            |
| 13406          |        | 13406-LEA6-900 | PLATE FUEL INJECTOR      | PLATE FUEL INJECTOR      | 1       |            |
| 14100          |        | 14100-LEA6-910 | SHAFT COMP CAM           | SHAFT COMP CAM           | 1       |            |
| 14431          |        | 14431-KKC1-900 | ARM VALVE ROCKER         | ARM VALVE ROCKER         | 2       |            |
| 14450          |        | 14450-KEBE-900 | SHAFT COMP IN ROCKER ARM | SHAFT COMP IN ROCKER ARM | 1       |            |
| 14461          |        | 14461-KEBE-900 | SHAFT EX ROCKER ARM      | SHAFT EX ROCKER ARM      | 1       |            |
| 14711          |        | 14711-KEBE-900 | VALVE INLET              | VALVE INLET              | 1       |            |
| 14721          |        | 14721-KAAA-900 | VALVE EXHAUST            | VALVE EXHAUST            | 1       |            |
| 14751          |        | 14751-KKJ9-003 | SPG VALVE OUTER          | SPRING VALVE OUTER       | 2       |            |
| 14761          |        | 14761-KKJ9-003 | SPG VALVE INNER          | SPG VALVE INNER          | 2       |            |
| 14771          |        | 14771-GDB4-680 | RETAINER VALVE SPRING    | RETAINER VALVE SPRING    | 2       |            |
| 14775          |        | 14775-MFA6-001 | SEAT VALVE SPG OUTER     | SEAT VALVE SPG OUTER     | 2       |            |
| 14781          |        | 14781-MFA6-001 | COTTER VALVE             | COTTER VALVE             | 4       |            |

# Cylinder Head Cover Cylinder Head



| Sales mark | Ref no         | Part no        | Description               | Reg description           | Regd no | E02 |
|------------|----------------|----------------|---------------------------|---------------------------|---------|-----|
|            | 16201          | 16201-GFY6-910 | GASKET CARB INSULATOR     | GASKET CARB INSULATOR     | 1       |     |
|            | 16211          | 16211-GFY6-901 | INSULATOR CARB            | INSULATOR CARB            | 1       |     |
|            | 1711A          | 1711A-LEA6-900 | PIPE ASSY INLET           | PIPE ASSY INLET           | 1       |     |
|            | 17256          | 17256-KKE3-900 | BAND INSULATOR            | BAND INSULATOR            | 1       |     |
|            | 18601          | 18601-MAJ1-791 | REED VALVE COMP           | REED VALVE COMP           | 1       |     |
|            | 18612          | 18612-KEBE-900 | COVER REED VALVE          | COVER REED VALVE          | 1       |     |
|            | 18645          | 18645-GFY6-941 | GSKT A/I PIPE             | GASKET A/I PIPE           | 1       |     |
|            | 18646          | 18646-GFY6-941 | GASKET A/I PIPE           | GASKET A/I PIPE           | 1       |     |
|            | 18647          | 18647-KEBE-900 | PIPE COMP AIR             | PIPE COMP AIR             | 1       |     |
|            | 39300          | 39300-LEA6-800 | FUEL INJECTOR             | FUEL INJECTOR             | 1       |     |
|            | 39301          | 39301-LEA6-900 | HOLDER ASSY FUEL INJECTOR | HOLDER ASSY FUEL INJECTOR | 1       |     |
|            | 39302          | 39302-KKE3-900 | CLIP SPRING FUEL INJECTOR | CLIP SPRING FUEL INJECTOR | 1       |     |
|            | 39303          | 39303-LEA6-900 | SEAL HIGH TENSION FUEL    | SEAL HIGH TENSION FUEL    | 1       |     |
|            | 39500          | 39500-KKE3-800 | SENSOR T-MAP              | SENSOR T-MAP              | 1       |     |
|            | 90012          | 90012-3C33-001 | SCREW TAPPET ADJUSTING    | SCREW TAPPET ADJUSTING    | 2       |     |
|            | 90033-GFY6-900 | 90033-GFY6-900 | BOLT STUD 8*32            | BOLT STUD 8*32            | 2       |     |
|            | 90206          | 90206-0A01-001 | NUT TAPPET ADJG           | NUT TAPPET ADJG           | 2       |     |
|            | 90304          | 90304-4H38-001 | NUT HEX CAP 6MM           | NUT SPECIAL 6MM           | 2       |     |
|            | 90465          | 90465-MDC4-001 | WASHER 8MM                | WASHER 8MM                | 4       |     |
|            | 92712          | 92712-06028-0B | BOLT STUD 6*28            | BOLT STUD 6*28            | 2       |     |

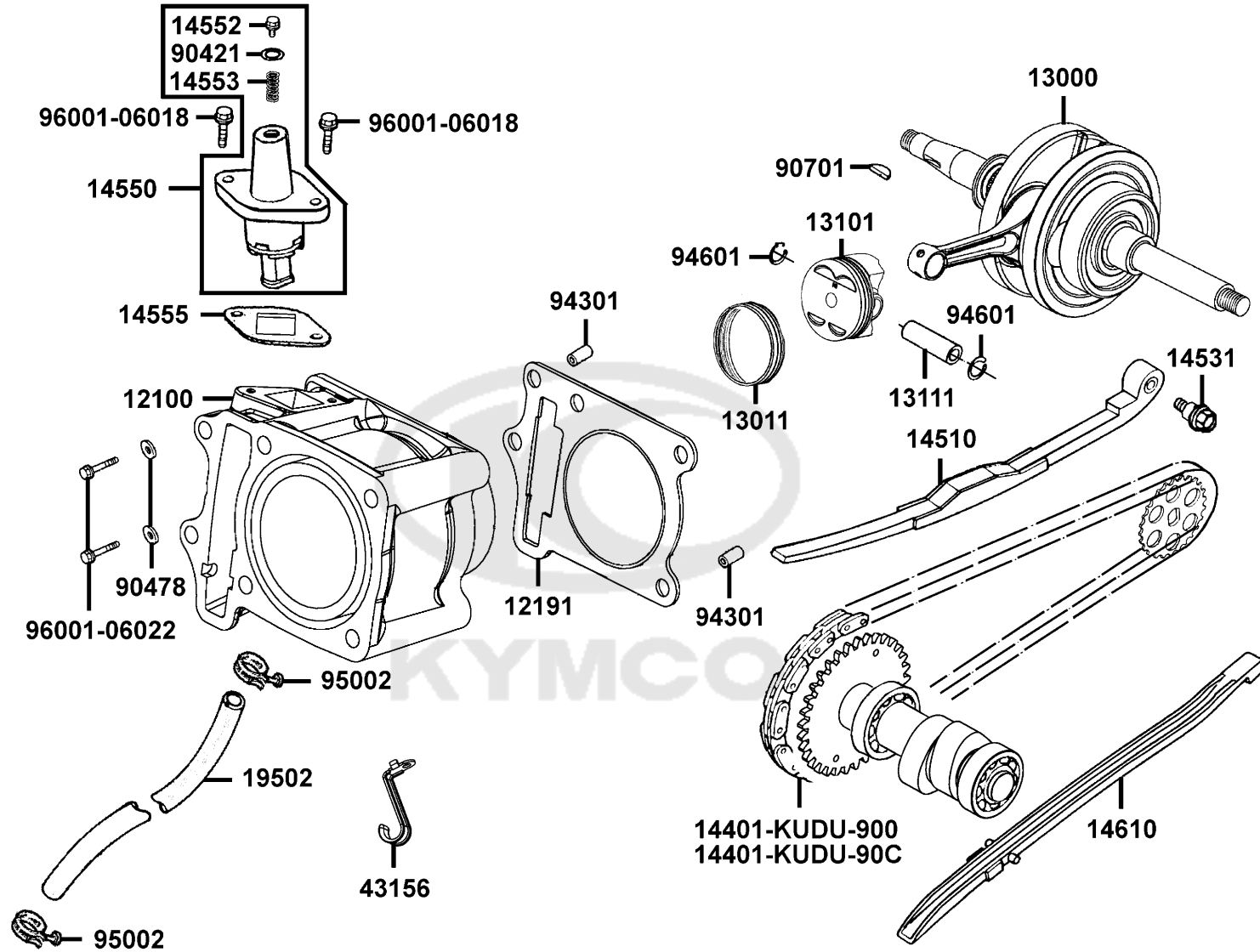
# Cylinder Head Cover Cylinder Head





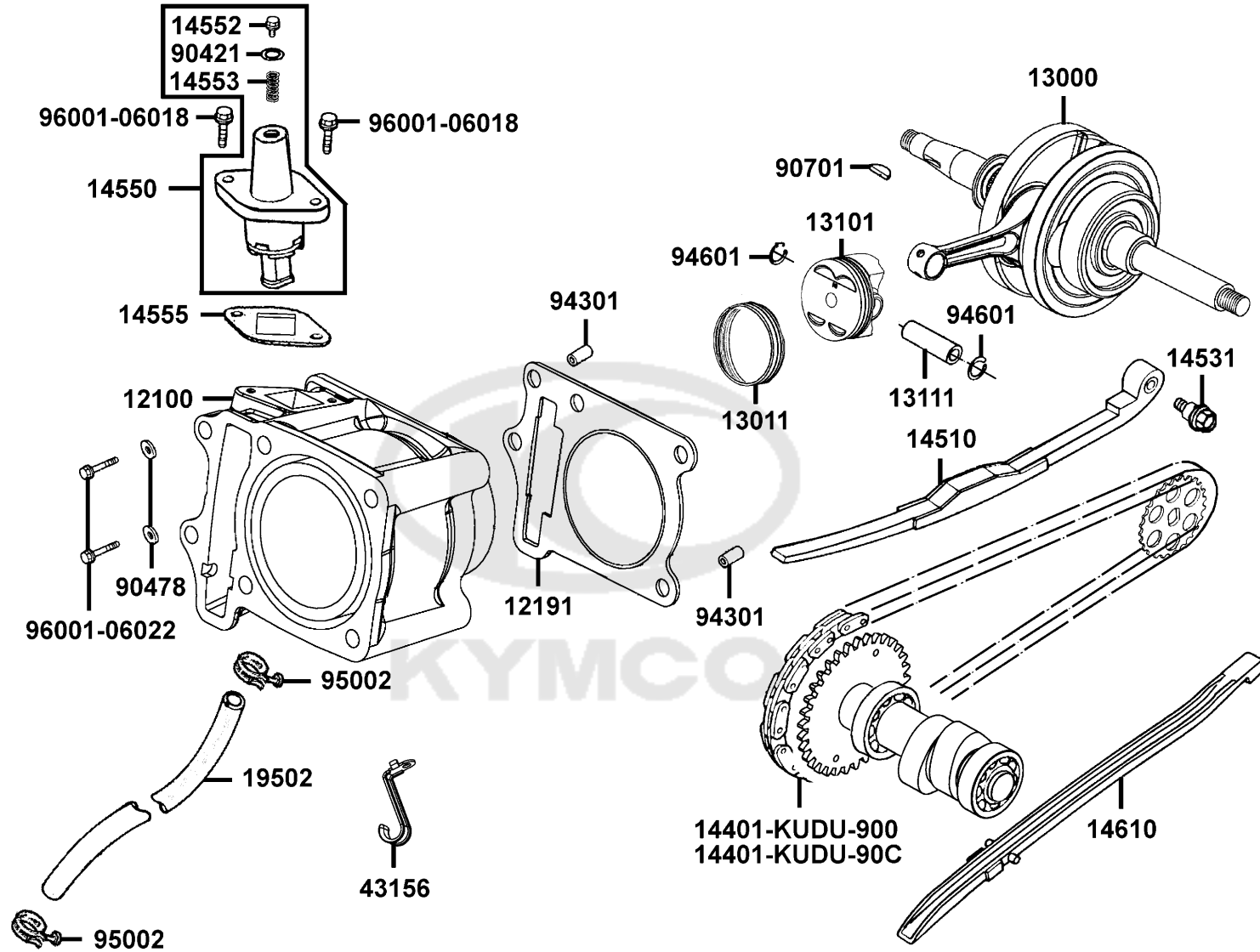
| Sales mark  | Ref no | Part no        | Description           | Reg description         | Regd no | <b>E02</b> |
|-------------|--------|----------------|-----------------------|-------------------------|---------|------------|
| 93500       |        | 93500-04014-06 | SCREW PAN 4*14        | SCREW PAN 4*14          | 2       |            |
| 94050-08080 |        | 94050-08080    | NUT FLANGE 8MM        | NUT FLANGE 8MM          | 4       |            |
| 94301       |        | 94301-10160    | DOWEL PIN 10*16       | DOWEL PIN 10*16         | 4       |            |
| 95701       |        | 95701-06025-08 | BOLT FLANGE 6*25      | BOLT FLANGE 6*25        | 4       |            |
| 96001-06014 |        | 96001-06014-08 | BOLT FLANGE 6*14      | BOLT FLANGE 6*14        | 1       |            |
| 96001-06016 |        | 96001-06016-08 | BOLT FLANGE SH 6*16   | BOLT FLANGE SH 6*16     | 1       |            |
| 96001-06025 |        | 96001-06025-08 | BOLT FLANGE SH 6*25   | BOLT FLANGE 6*25        | 2       |            |
| 96001-06032 |        | 96001-06032-08 | BOLT FLANGE SH 6*32   | BOLT FLANGE SH 6*32     | 2       |            |
| 96001-06050 |        | 96001-06050-08 | BOLT FLANGE 6*50      | BOLT FLANGE SH 6*50 (C) | 2       |            |
| 96001-GFY6  |        | 96001-GFY6-900 | BOLT SPECIAL 5*10     | BOLT SPECIAL 5X10       | 1       |            |
| 98069       |        | 98069-5691R-00 | SPARK PLUG (DPR6EA-9) | SPARK PLUG (DPR6EA-9)   | 1       |            |


Cylinder Piston Crankshaft



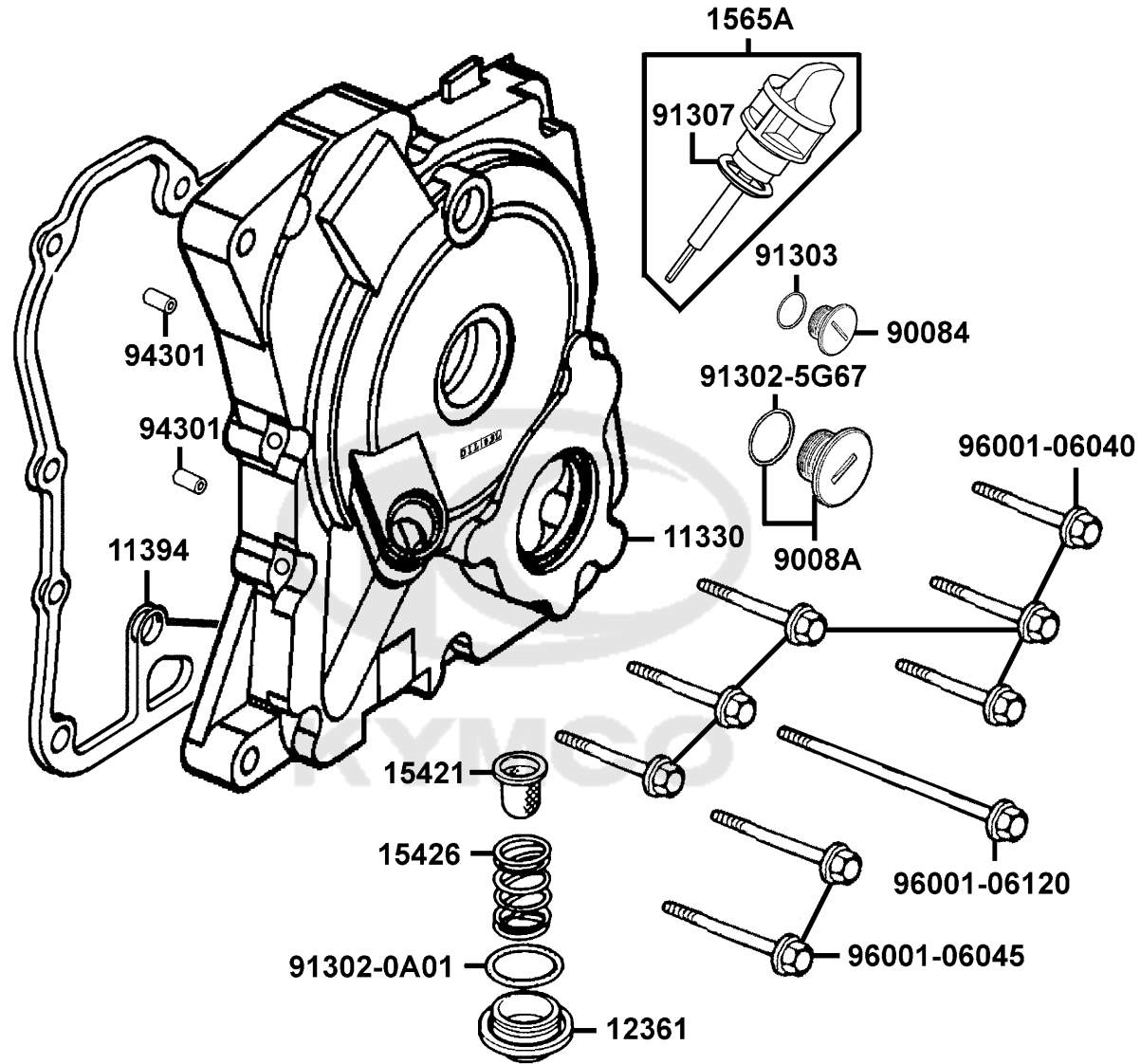
| Sales mark | Ref no         | Part no        | Description               | Reg description           | Regd no | E03 |
|------------|----------------|----------------|---------------------------|---------------------------|---------|-----|
|            | 12100          | 12100-LEA6-900 | CYLINDER COMP             | CYLINDER COMP             | 1       |     |
|            | 12191          | 12191-LEA6-900 | GASKET CYLINDER           | GASKET CYLINDER           | 1       |     |
|            | 13000          | 13000-LEA6-900 | CRANK SHAFT COMP          | CRANK SHAFT COMP          | 1       |     |
|            | 13011          | 13011-LBF6-E00 | RING SET PISTON           | RING SET PISTON           | 1       |     |
|            | 13101          | 13101-LEA6-900 | PISTON                    | PISTON                    | 1       |     |
|            | 13111          | 13111-KKJ9-001 | PIN PISTON                | PIN PISTON                | 1       |     |
|            | 14401-KUDU-900 | 14401-KUDU-900 | CHAIN CAM                 | CHAIN CAM                 | 1       |     |
|            | 14401-KUDU-90C | 14401-KUDU-90C | CHAIN CAM                 | CHAIN CAM                 | 1       |     |
|            | 14510          | 14510-KEBE-900 | TENSIONER CAM CHAIN       | TENSIONER CAM CHAIN       | 1       |     |
|            | 14531          | 14531-KKJ9-001 | PIVOT CAM CHAIN TENSIONER | PIVOT CAM CHAIN TENSIONER | 1       |     |
|            | 14550          | 14550-KDS4-00B | ADJUSTER CAM CHAIN        | ADJUSTER CAM CHAIN        | 1       |     |
|            | 14552          | 14552-KDS4-004 | PLUG ADJUSTER             | PLUG ADJUSTER             | 1       |     |
|            | 14553          | 14553-KDS4-004 | SPRING CAM CHAIN ADJUSTER | SPRING CAM CHAIN ADJUSTER | 1       |     |
|            | 14555          | 14555-LBA2-E00 | GASKET CAM CHAIN ADJUSTER | GASKET CAM CHAIN ADJUSTER | 1       |     |
|            | 14610          | 14610-KKJ9-001 | GUIDE COMP CAM CHAIN      | GUIDE COMP CAM CHAIN      | 1       |     |
|            | 19502          | 19502-KEBE-900 | HOSE WATER B              | HOSE WATER B              | 1       |     |
|            | 43156          | 43156-LEA5-E00 | CLAMPER RR BRK HOSE       | CLAMPER RR BRK HOSE       | 1       |     |
|            | 90421          | 90421-KAM1-004 | WASHER SEALING 8*16*1.6   | WASHER SEALING 8*16*1.6   | 1       |     |
|            | 90478          | 90478-7L00-001 | WASHER 6MM                | WASHER 6MM                | 2       |     |
|            | 90701          | 90701-HFB6-011 | KEY WOODRUFF 25*14*4      | KEY WOODRUFF 25X14X4      | 1       |     |

Cylinder Piston Crankshaft



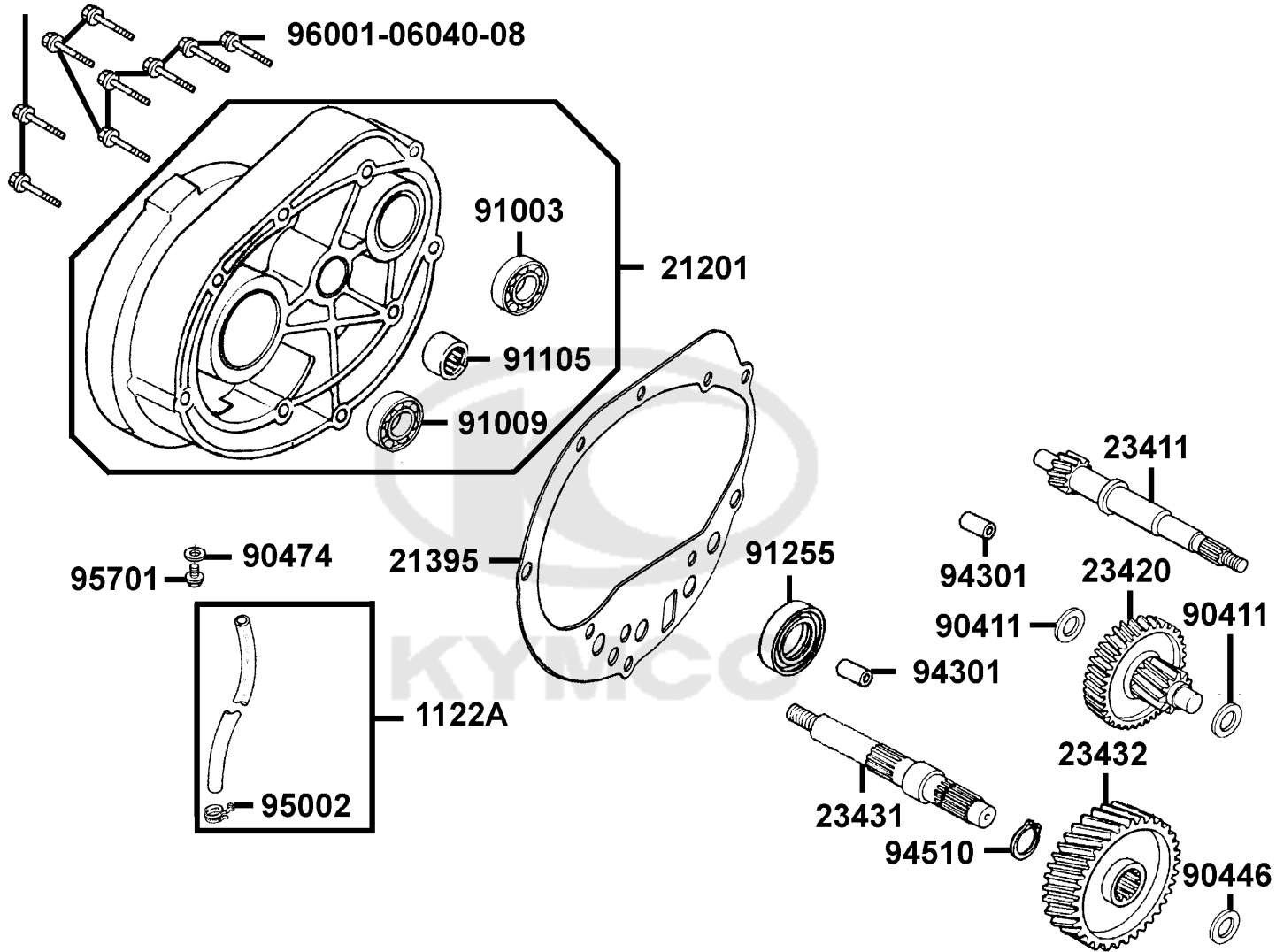
| Sales mark  | Ref no      | Part no        | Description          | Reg description      | Regd no | <b>E03</b> |
|---|-------------|----------------|----------------------|----------------------|---------|------------|
|   | 94301       | 94301-10160    | DOWEL PIN 10*16      | DOWEL PIN 10*16      | 2       |            |
|   | 94601       | 94601-15000    | CLIP PISTON PIN 15MM | CLIP PISTON PIN 15MM | 2       |            |
|   | 95002       | 95002-KGN7-910 | CLIP TUBE            | CLIP TUBE            | 2       |            |
|   | 96001-06018 | 96001-06018-08 | BOLT FLANGE SH 6*18  | BOLT FLANGE SH 6*18  | 2       |            |
|   | 96001-06022 | 96001-06022-08 | BOLT FLANGE SH 6*22  | BOLT FLANGE SH 6*22  | 2       |            |
|  |             |                |                      |                      |         |            |

Right Crankcase Cover Water Pump



| Sales mark | Ref no      | Part no        | Description               | Reg description             | Regd no | <b>E04</b> |
|------------|-------------|----------------|---------------------------|-----------------------------|---------|------------|
| **         | 11330       | 11330-KKC3-900 | COVER COMP RIGHT          | COVER COMP RIGHT            | 1       |            |
|            | 11394       | 11394-LEA5-E00 | GASKET R COVER @          | GASKET R COVER @            | 1       |            |
| **         | 12361       | 12361-LEA5-E00 | HOLE CAP TAPPET ADJUSTING | HOLE CAP TAPPET ADJUSTING   | 1       |            |
|            | 15421       | 15421-1G07-001 | SCREEN OIL FILTER         | SCREEN OIL FILTER           | 1       |            |
|            | 15426       | 15426-GAE1-921 | SPG OIL FILTER SCREEN     | SPRING OIL FILTER ** GE1 ** | 1       |            |
|            | 1565A       | 1565A-KEBE-900 | GAUGE OIL LEVEL ASSY      | GAUGE OIL LEVEL ASSY        | 1       |            |
| **         | 90084       | 90084-LEA5-001 | CAP A.C.G                 | CAP A.C.G                   | 1       |            |
| **         | 9008A       | 9008A-LEA5-001 | CAP ASSY 30MM             | CAP ASSY 30MM               | 1       |            |
|            | 91302-0A01  | 91302-0A01-021 | O-RING 30.8MM             | O-RING 30.8M/M              | 1       |            |
|            | 91302-5G67  | 91302-5G67-004 | O-RING 27.4*2.4           | O-RING 27.4*2.4             | 1       |            |
|            | 91303       | 91303-3G77-001 | O-RING 13.8*2.5           | O-RING 13.8*2.5             | 1       |            |
|            | 91307       | 91307-0E35-001 | O RING 18*3               | O RING 18*3                 | 1       |            |
|            | 94301       | 94301-08140    | DOWEL PIN 8*14            | DOWEL PIN 8*14              | 2       |            |
|            | 96001-06040 | 96001-06040-08 | BOLT FLANGE 6*40          | BOLT FLANGE 6*40            | 6       |            |
|            | 96001-06045 | 96001-06045-08 | BOLT FLANGE SH 6*45       | BOLT FLANGE SH 6*45         | 2       |            |
|            | 96001-06120 | 96001-06120-08 | BOLT FLANGE SH 6*120      | BOLT FLANGE SH 6*120        | 1       |            |

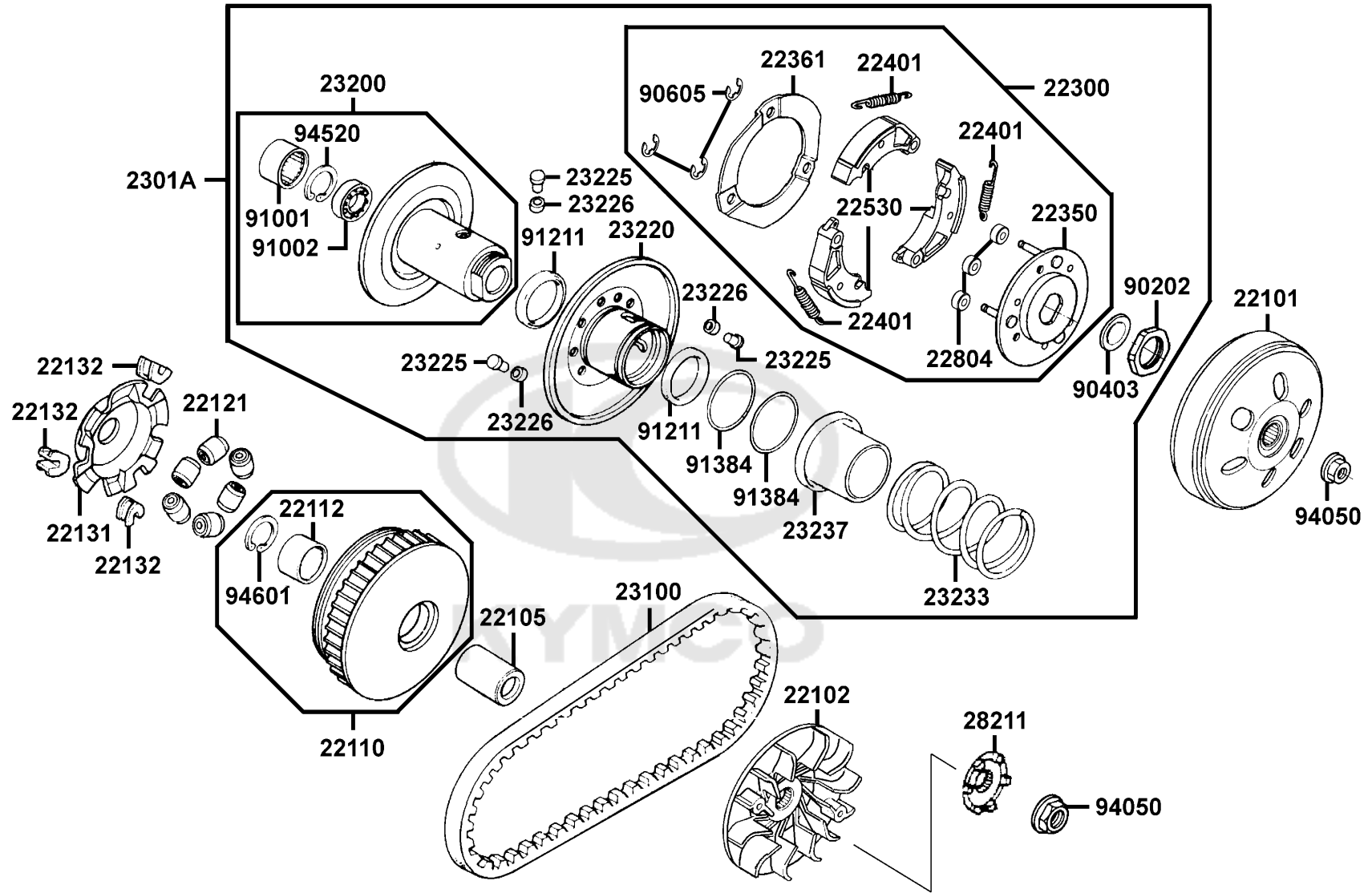
96001-06045





| Sales mark     | Ref no | Part no        | Description             | Reg description         | Regd no | <b>E05</b> |
|----------------|--------|----------------|-------------------------|-------------------------|---------|------------|
| 1122A          |        | 1122A-LEA6-900 | TUBE ASSY               | TUBE ASSY               | 1       |            |
| 21201          |        | 21201-KFC8-305 | CASE SET MISSION        | CASE SET MISSION        | 1       |            |
| 21395          |        | 21395-LEA5-E00 | GASKET MISSION CASE @   | GASKET MISSION CASE @   | 1       |            |
| 23411          |        | 23411-LEA6-E00 | SHAFT DRIVE             | SHAFT DRIVE             | 1       |            |
| 23420          |        | 23420-LEA6-E00 | SHAFT COMP COUNTER      | SHAFT COMP COUNTER      | 1       |            |
| 23431          |        | 23431-KFC8-900 | SHAFT FINAL             | SHAFT FINAL             | 1       |            |
| 23432          |        | 23432-LEA6-E00 | GEAR FINAL              | GEAR FINAL              | 1       |            |
| 90411          |        | 90411-KAM1-001 | WASHER THRUST 14*32*1   | WASHER THRUST 14*32*1   | 2       |            |
| 90446          |        | 90446-3G57-001 | WASHER THRUST 17.2MM    | WASHER THRUST 17.2MM    | 1       |            |
| 90474          |        | 90474-3C33-001 | WASHER 8MM              | WASHER 8MM              | 1       |            |
| 91003          |        | 91003-KDS4-004 | BRG BALL RADIAL 6301TMB | BRG BALL RADIAL 6301TMB | 1       |            |
| 91009          |        | 91009-GLE0-004 | BRG BALL RADIAL 6004 UU | BRG BALL RADIAL 6004 UU | 1       |            |
| 91105          |        | 91105-KGN7-672 | BRG NEEDLE              | BRG NEEDLE              | 1       |            |
| 91255          |        | 91255-GLE0-006 | OIL SEAL 27*42*7        | OIL SEAL 27*42*7        | 1       |            |
| 94301          |        | 94301-08140    | DOWEL PIN 8*14          | DOWEL PIN 8*14          | 2       |            |
| 94510          |        | 94510-20000    | CIR CLIP EX 20          | CIR CLIP EXTERNAL 20MM  | 1       |            |
| 95002          |        | 95002-02080    | CLIP B8 TUBE            | CLIP C8 TUBE            | 1       |            |
| 95701          |        | 95701-08012-08 | BOLT FLANGE 8*12        | BOLT FLANGE 8*12        | 1       |            |
| 96001-06040-08 |        | 96001-06040-08 | BOLT FLANGE 6*40        | BOLT FLANGE 6*40        | 6       |            |
| 96001-06045    |        | 96001-06045-08 | BOLT FLANGE SH 6*45     | BOLT FLANGE SH 6*45     | 2       |            |

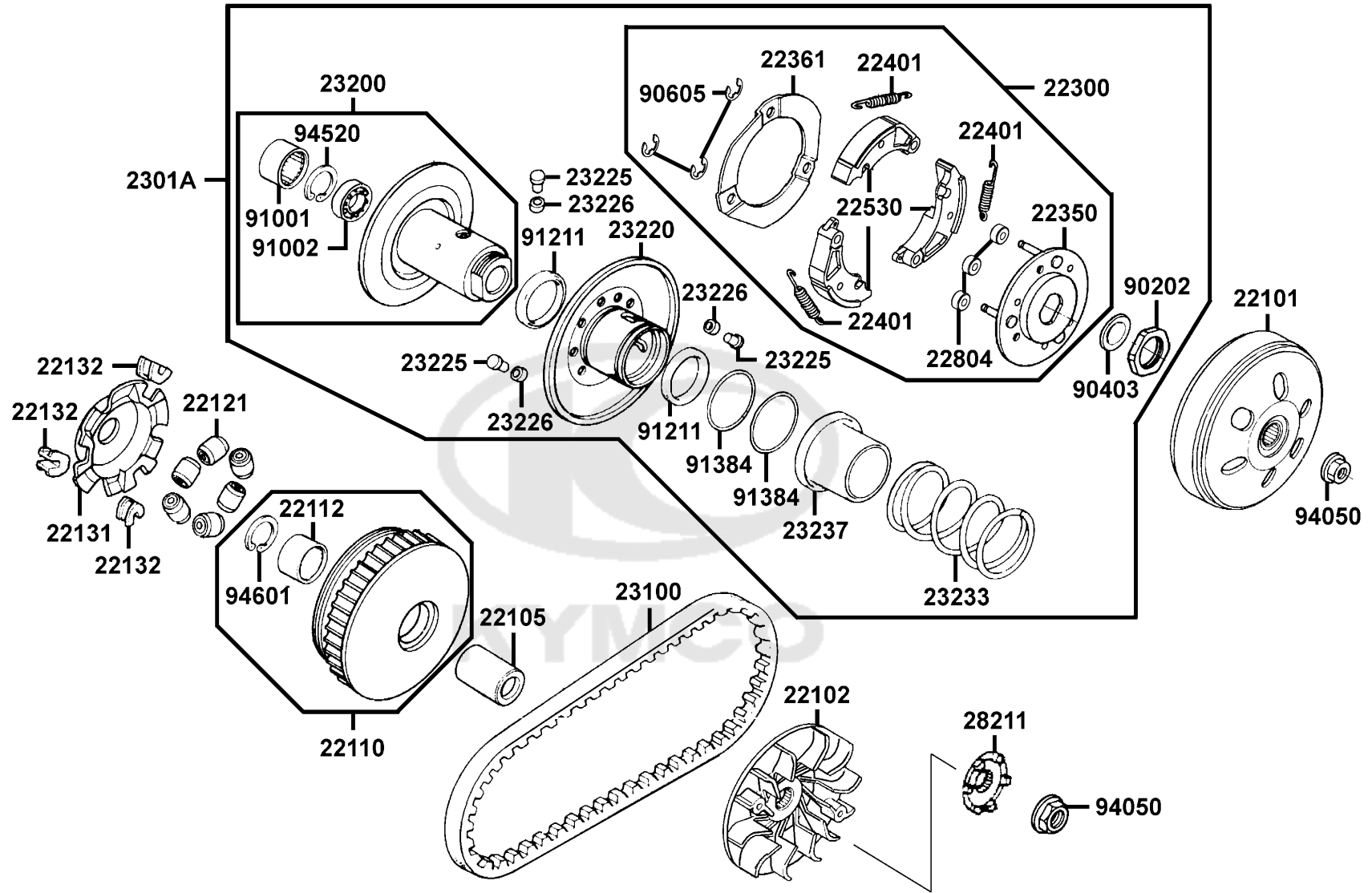
Driven Pulley



| Sales mark | Ref no | Part no        | Description              | Reg description          | Regd no | <b>E06</b> |
|------------|--------|----------------|--------------------------|--------------------------|---------|------------|
| 22101      |        | 22101-KEBE-900 | OUTER CLUTCH             | OUTER CLUTCH             | 1       |            |
| 22102      |        | 22102-KKC3-900 | FACE DRIVE               | FACE DRIVE               | 1       |            |
| 22105      |        | 22105-LEA6-900 | BOSS DRIVE FACE          | BOSS DRIVE FACE          | 1       |            |
| 22110      |        | 22110-KKC3-900 | FACE COMP MOVABLE DRIVE  | FACE COMP MOVABLE DRIVE  | 1       |            |
| 22112      |        | 22112-KAAA-900 | COLLAR DRIVE FACE        | COLLAR DRIVE FACE        | 1       |            |
| 22121      |        | 22121-LEA5-E00 | ROLLER COMP WEIGHT       | ROLLER COMP WEIGHT       | 6       |            |
| 22131      |        | 22131-KAAA-900 | PLATE RAMP               | PLATE RAMP               | 1       |            |
| 22132      |        | 22132-LEA6-900 | PIECE SLIDE              | PIECE SLIDE              | 3       |            |
| 22300      |        | 22300-LEA6-900 | PLATE ASSY DRIVE         | PLATE ASSY DRIVE         | 1       |            |
| 22350      |        | 22350-LEA6-900 | PLATE COMP DRIVE         | PLATE COMP DRIVE         | 1       |            |
| 22361      |        | 22361-KGN7-671 | PLATE CLUTCH SIDE        | PLATE CLUTCH SIDE        | 1       |            |
| 22401      |        | 22401-KEB8-900 | SPRING CLUTCH            | SPRING CLUTCH            | 3       |            |
| 22530      |        | 22530-KGN7-671 | WEIGHT CLUTCH            | WEIGHT CLUTCH            | 3       |            |
| 22804      |        | 22804-GBB2-001 | RUBBER CLUTCH DUMPER     | RUBBER CLUTCH DUMRER     | 3       |            |
| 2301A      |        | 2301A-LEA6-900 | PULLEY SUB ASSY          | PULLEY SUB ASSY          | 1       |            |
| 23100      |        | 23100-LEA6-900 | BELT DRIVE               | BELT DRIVE               | 1       |            |
| 23200      |        | 23200-KEBE-900 | FACE ASSY DRIVEN         | FACE ASSY DRIVEN         | 1       |            |
| 23220      |        | 23220-LEA6-900 | FACE COMP MOVABLE DRIVEN | FACE COMP MOVABLE DRIVEN | 1       |            |
| 23225      |        | 23225-GHC8-004 | PIN ROLLER GUIDE         | PIN ROLLER GUIDE         | 3       |            |
| 23226      |        | 23226-GHC8-004 | ROLLER GUIDE             | ROLLER GUIDE             | 3       |            |

E06

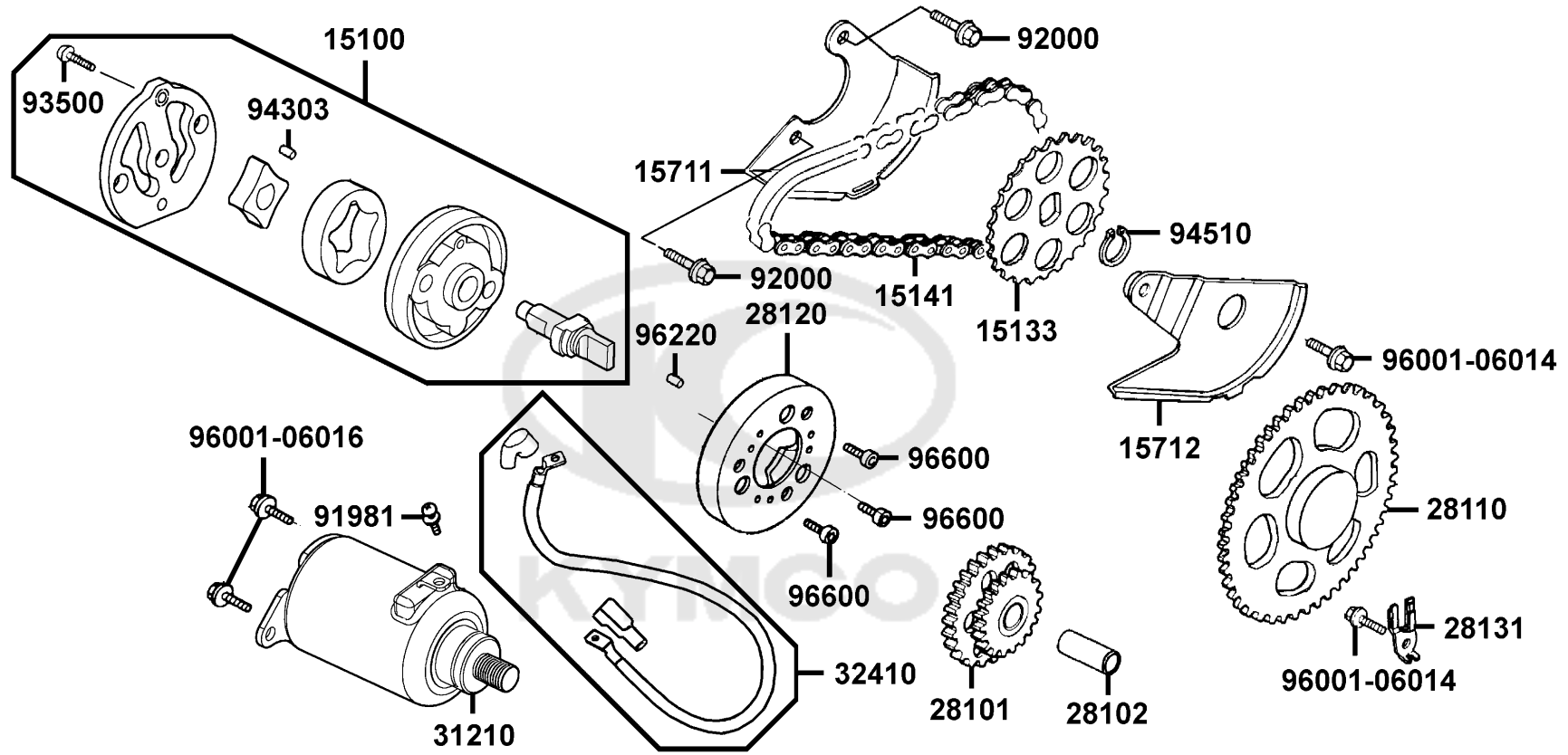
# Driven Pulley



| Sales mark | Ref no | Part no        | Description              | Reg description          | Regd no | <b>E06</b> |
|------------|--------|----------------|--------------------------|--------------------------|---------|------------|
| 23233      |        | 23233-LEA6-900 | SPG DRIVEN FACE          | SPG DRIVEN FACE          | 1       |            |
| 23237      |        | 23237-KHG8-901 | COLLAR SEAL              | COLLAR SEAL              | 1       |            |
| 28211      |        | 28211-KFC8-900 | RATCHET KICK STARTER     | RATCHET KICK STARTER     | 1       |            |
| 90202      |        | 90202-KGN7-671 | NUT SPECIAL 28MM         | NUT SPECIAL 28MM         | 1       |            |
| 90403      |        | 90403-KGN7-671 | WASHER THRUST            | WASHER THRUST            | 1       |            |
| 90605      |        | 90605-1F66-721 | CIR CLIP 7MM             | CIR CLIP 7MM             | 3       |            |
| 91001      |        | 91001-GFY6-90A | BRG NDL 20*29*18         | BRG NDL 20*29*18         | 1       |            |
| 91002      |        | 91002-GGA7-70A | BRG BALL RADIAL 6902U    | BRG BALL RADIAL 6902U    | 1       |            |
| 91211      |        | 91211-KEBE-900 | SEAL DRIVEN FACE 34*41*4 | SEAL DRIVEN FACE 34*41*4 | 2       |            |
| 91384      |        | 91384-KEBE-900 | O-RING                   | O-RING                   | 2       |            |
| 94050      |        | 94050-12080    | NUT C FLANGE 12MM        | NUT FLANGE 12MM (C)      | 2       |            |
| 94520      |        | 94520-28000    | CIR CLIP IN 28           | CIR CLIP IN 28           | 1       |            |
| 94601      |        | 94601-33000    | CLIP PISTON PIN 33MM     | CLIP PISTON PIN 33MM     | 1       |            |

E07

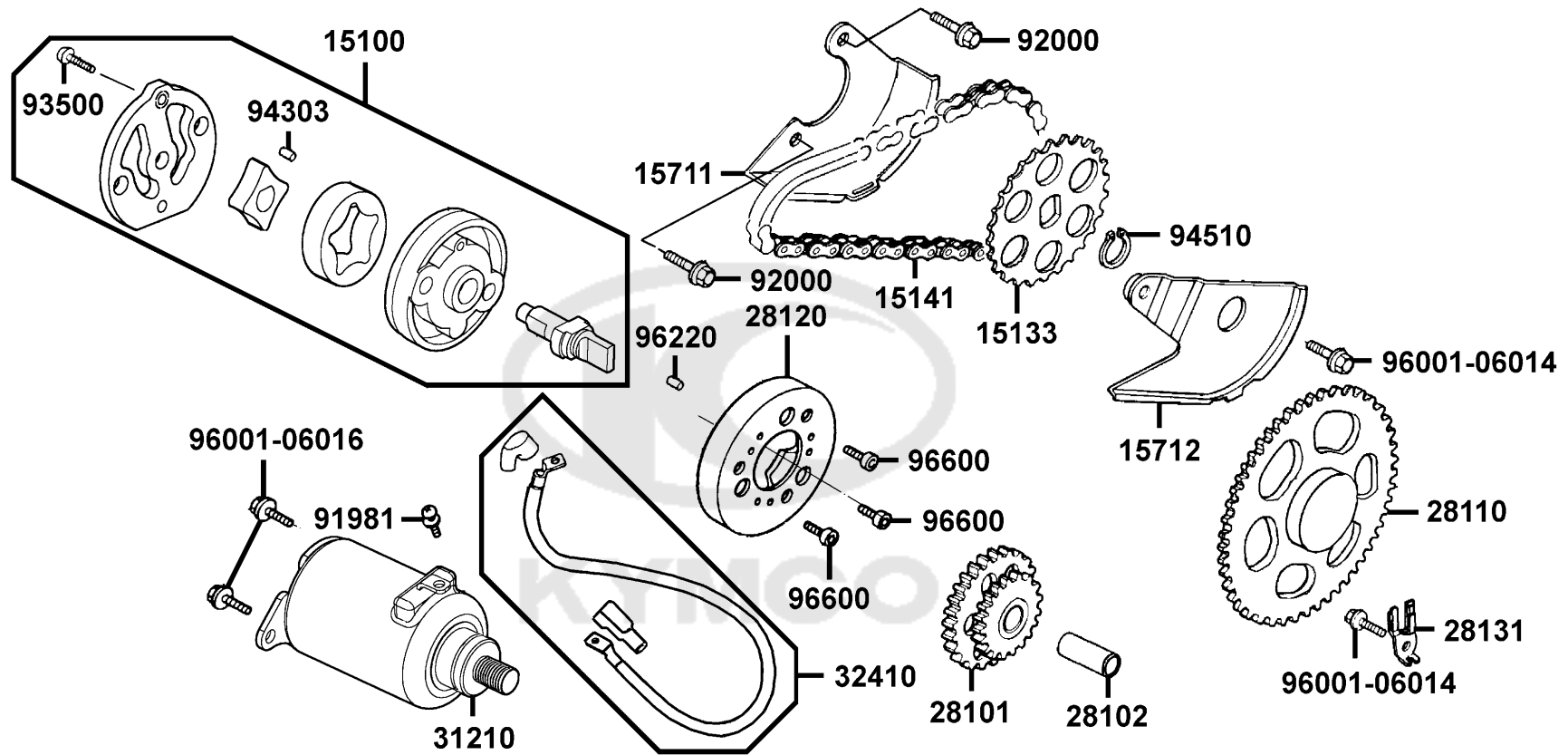
# Starting Motor Oil Pump



| Sales mark  | Ref no | Part no        | Description                  | Reg description              | Regd no | E07 |
|-------------|--------|----------------|------------------------------|------------------------------|---------|-----|
| 15100       |        | 15100-KKC3-900 | PUMP ASSY OIL                | PUMP ASSY OIL                | 1       |     |
| 15133       |        | 15133-KAM1-001 | SPROCKET OIL PUMP DRIVE      | SPROCKET OIL PUMP DRIVE      | 1       |     |
| 15141       |        | 15141-KKJ9-004 | CHAIN OIL PUMP               | CHAIN OIL PUMP               | 1       |     |
| 15711       |        | 15711-KKC3-900 | OIL SEPARATER A              | OIL SEPARATER A              | 1       |     |
| 15712       |        | 15712-KEBE-900 | OIL SEPARATER COMP B         | OIL SEPARATER COMP B         | 1       |     |
| 28101       |        | 28101-KKJ9-011 | GEAR STARTER REDUCTION       | GEAR STARTER REDUCTION       | 1       |     |
| 28102       |        | 28102-KKJ9-001 | SHAFT STARTER REDUCTION GEAR | SHAFT STARTER REDUCTION GEAR | 1       |     |
| 28110       |        | 28110-LEA6-900 | GEAR COMP STARTING CLUTCH    | GEAR COMP STARTING CLUTCH    | 1       |     |
| 28120       |        | 28120-LDB2-E00 | ONE WAY CLUTCH STARTER ASSY  | ONE WAY CLUTCH STARTER ASSY  | 1       |     |
| 28131       |        | 28131-KGN7-671 | GUIDE STARTING DRIVEN GEAR   | GUIDE STARTING DRIVEN GEAR   | 1       |     |
| 31210       |        | 31210-LEA6-900 | MOTOR UNIT START             | MOTOR UNIT START             | 1       |     |
| 32410       |        | 32410-LEA5-E00 | CABLE START MOTOR            | CABLE START MOTOR            | 1       |     |
| 91981       |        | 91981-KGN7-670 | SCREW WASH 5X8               | SCREW WASH 5X8               | 1       |     |
| 92000       |        | 92000-06028-0H | BOLT FLANGE SH 6*28          | BOLT FLANGE SH 6*28          | 2       |     |
| 93500       |        | 93500-03010-1A | SCREW PAN 3*10               | SCREW PAN 3*10               | 1       |     |
| 94303       |        | 94303-04065    | PIN DOWEL 4*6.5              | PIN DOWEL 4*6.5              | 1       |     |
| 94510       |        | 94510-10000    | CIR CLIP EX 10MM             | CIR CLIP EX 10MM             | 1       |     |
| 96001-06014 |        | 96001-06014-08 | BOLT FLANGE 6*14             | BOLT FLANGE 6*14             | 2       |     |
| 96001-06016 |        | 96001-06016-08 | BOLT FLANGE SH 6*16          | BOLT FLANGE SH 6*16          | 2       |     |
| 96220       |        | 96220-60100    | ROLLER 6*10                  | ROLLER 6*10                  | 1       |     |

E07

### Starting Motor Oil Pump

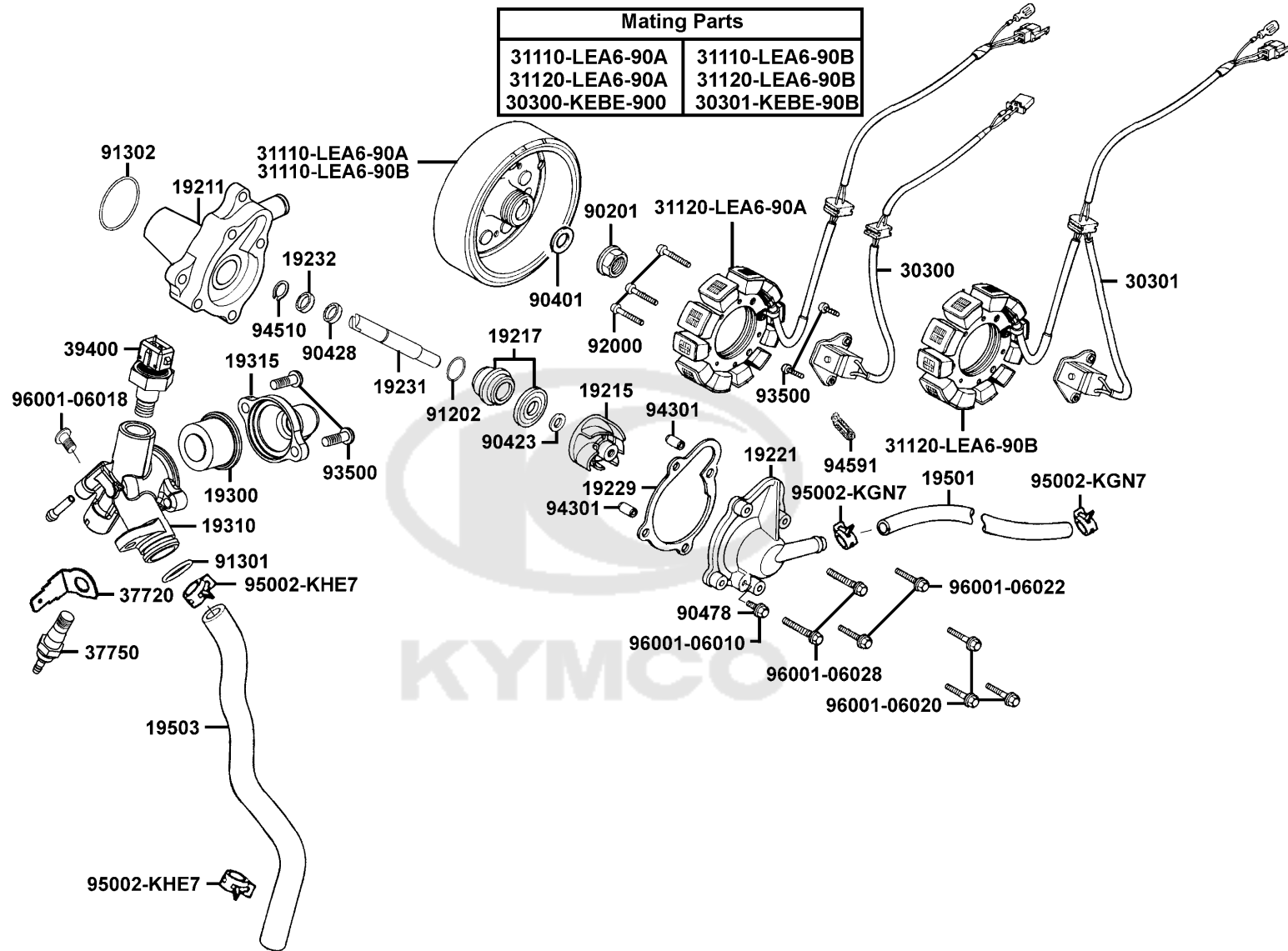




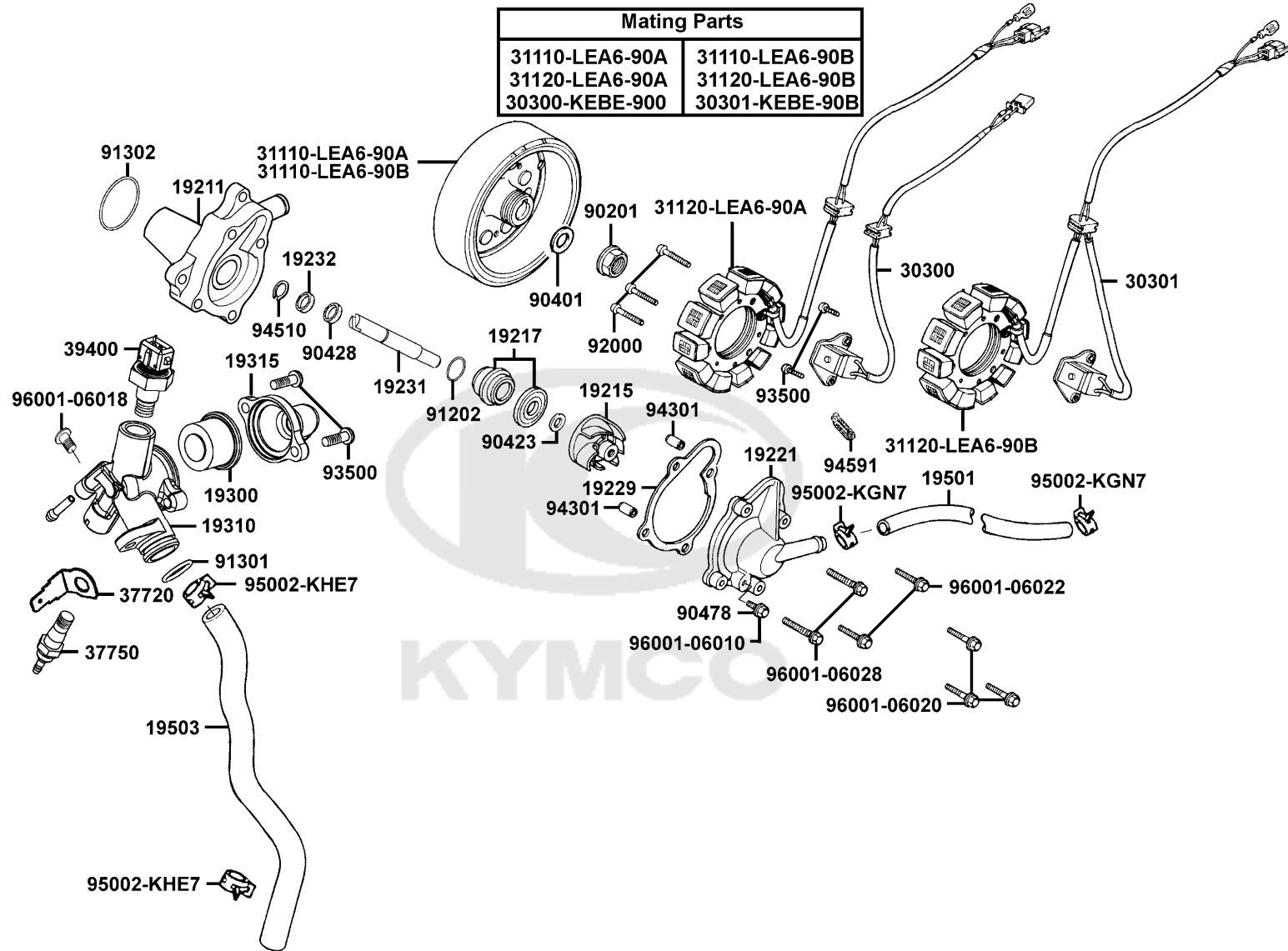
| Sales mark | Ref no | Part no | Description | Reg description | Regd no | <b>E07</b> |
|------------|--------|---------|-------------|-----------------|---------|------------|
|------------|--------|---------|-------------|-----------------|---------|------------|

|       |                |                  |                  |  |   |  |
|-------|----------------|------------------|------------------|--|---|--|
| 96600 | 96600-08015-10 | SOCKET BOLT 8*15 | SOCKET BOLT 8*15 |  | 3 |  |
|-------|----------------|------------------|------------------|--|---|--|

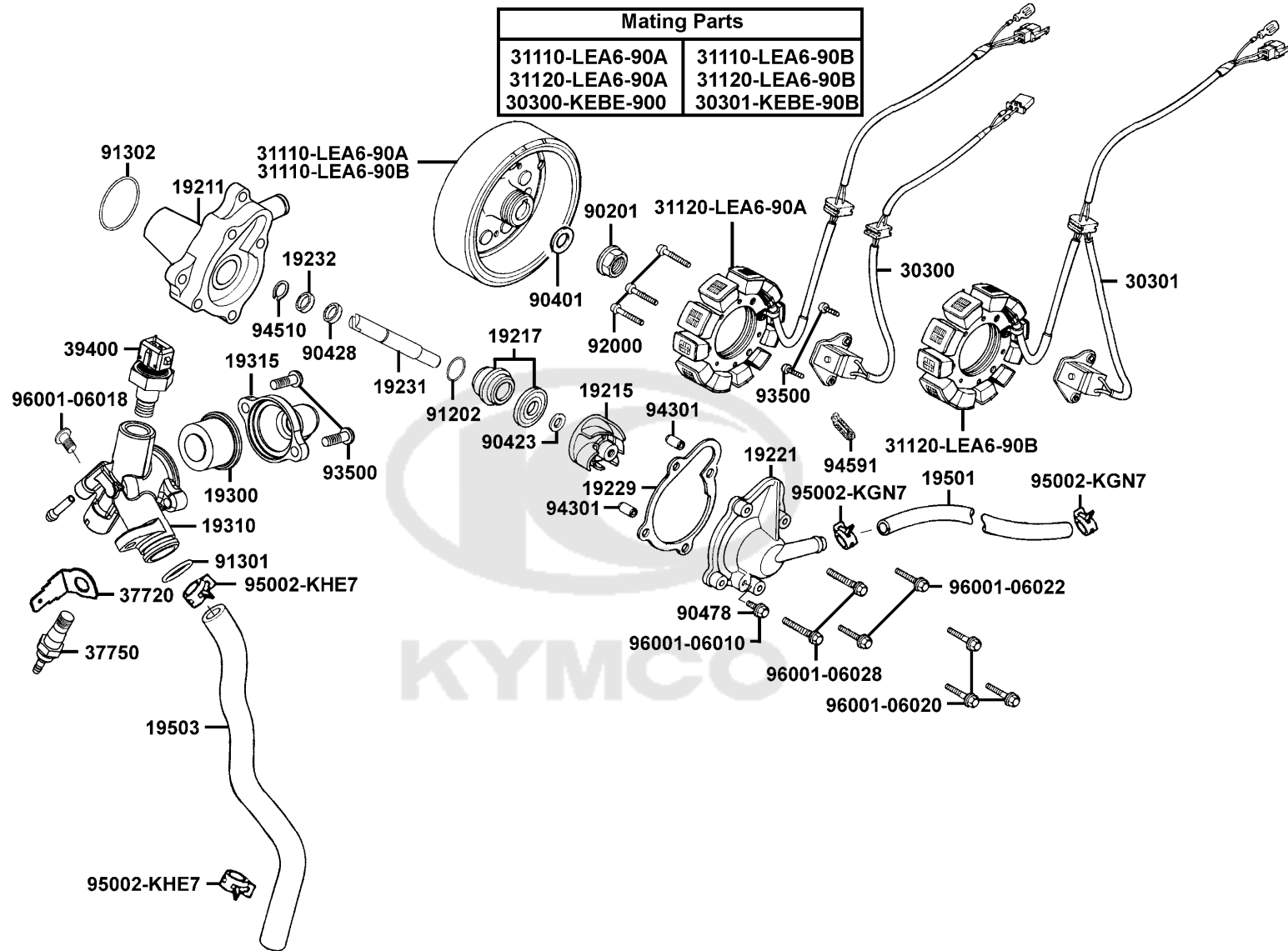




| Sales mark     | Ref no | Part no        | Description           | Reg description       | Regd no | <b>E08</b> |
|----------------|--------|----------------|-----------------------|-----------------------|---------|------------|
| 19211          |        | 19211-LEA5-E00 | BODY WATER PUMP       | BODY WATER PUMP       | 1       |            |
| 19215          |        | 19215-KKJ9-011 | IMPELLER WATER PUMP   | IMPELLER WATER PUMP   | 1       |            |
| 19217          |        | 19217-6G57-024 | SEAL MECHANICAL       | SEAL MECHANICAL       | 1       |            |
| 19221          |        | 19221-KKC3-900 | COVER WATER PUMP      | COVER WATER PUMP      | 1       |            |
| 19229          |        | 19229-KKC3-900 | GASKET WATER PUMP     | GASKET WATER PUMP     | 1       |            |
| 19231          |        | 19231-LEA5-E00 | SHAFT WATER PUMP      | SHAFT WATER PUMP      | 1       |            |
| 19232          |        | 19232-LBA2-E00 | WASHER 21*13.8*1.5    | WASHER 21*13.8*1.5    | 1       |            |
| 19300          |        | 19300-KAE1-004 | THERMOSTAT ASSY       | THERMOSTAT ASSY       | 1       |            |
| 19310          |        | 19310-LEA6-900 | CASE COMP THERMOSTAT  | CASE COMP THERMOSTAT  | 1       |            |
| 19315          |        | 19315-LDB2-E00 | COVER THERMOSTAT      | COVER THERMOSTAT      | 1       |            |
| 19501          |        | 19501-LEA5-E00 | HOSE WATER A          | HOSE WATER A          | 1       |            |
| 19503          |        | 19503-LEA6-900 | HOSE C WATER          | HOSE C WATER          | 1       |            |
| 30300          |        | 30300-KEBE-900 | GEN ASSY PULSE        | GEN ASSY PULSE        | 1       |            |
| 30301          |        | 30301-KEBE-90B | GEN ASSY PULSE        | GEN ASSY PULSE        | 1       |            |
| 31110-LEA6-90A |        | 31110-LEA6-90A | FLYWHEEL COMP         | FLYWHEEL COMP         | 1       |            |
| 31110-LEA6-90B |        | 31110-LEA6-90B | FLYWHEEL COMP         | FLYWHEEL COMP         | 1       |            |
| 31120-LEA6-90A |        | 31120-LEA6-90A | STATOR COMP           | STATOR COMP           | 1       |            |
| 31120-LEA6-90B |        | 31120-LEA6-90B | STATOR COMP           | STATOR COMP           | 1       |            |
| 37720          |        | 37720-KGB5-900 | EARTH TERMINAL THERMO | EARTH TERMINAL THERMO | 1       |            |
| 37750          |        | 37750-PAC1-005 | THERMO UNIT ASSY      | THERMO UNIT ASSY      | 1       |            |



| Sales mark  | Ref no | Part no        | Description           | Reg description       | Regd no | <b>E08</b> |
|-------------|--------|----------------|-----------------------|-----------------------|---------|------------|
| 39400       |        | 39400-LEA6-800 | WATER TEMP SENSOR     | WATER TEMP SENSOR     | 1       |            |
| 90201       |        | 90201-KHR8-75A | NUT FLANGE 14MM       | NUT FLANGE 14MM       | 1       |            |
| 90401       |        | 90401-KKJ9-001 | WASHER THRUST 14*28*2 | WASHER THRUST 14*28*2 | 1       |            |
| 90423       |        | 90423-KKJ9-001 | WASHER 7.2*13*1.2     | WASHER 7.2*13*1.2     | 1       |            |
| 90428       |        | 90428-9H58-001 | WASHER THRUST 14MM    | WASHER THRUST 14MM    | 1       |            |
| 90478       |        | 90478-7L00-001 | WASHER 6MM            | WASHER 6MM            | 1       |            |
| 91202       |        | 91202-KGB4-C00 | OIL SEAL 13.7*24*5    | OIL SEAL 13.7*24*5    | 1       |            |
| 91301       |        | 91301-KHE7-900 | O-RING 17.8*1.9       | O-RING 17.8*1.9       | 1       |            |
| 91302       |        | 91302-5G67-004 | O-RING 27.4*2.4       | O-RING 27.4*2.4       | 1       |            |
| 92000       |        | 92000-LEA6-900 | BOLT HEX 5*40         | BOLT HEX 5*40         | 3       |            |
| 93500       |        | 93500-05016-0H | SCREW PAN 5*16        | SCREW PAN 5*16 (C)    | 4       |            |
| 94301       |        | 94301-08140    | DOWEL PIN 8*14        | DOWEL PIN 8*14        | 2       |            |
| 94510       |        | 94510-14000    | CIR CLIP EXTERNAL 14  | CIR CLIP EX 14        | 1       |            |
| 94591       |        | 94591-KFBF-900 | CLIP 2*70             | CLIP 2*70             | 1       |            |
| 95002-KGN7  |        | 95002-KGN7-910 | CLIP TUBE             | CLIP TUBE             | 2       |            |
| 95002-KHE7  |        | 95002-KHE7-900 | CLIP WATER HOSE       | CLIP WATER HOSE       | 2       |            |
| 96001-06010 |        | 96001-06010-00 | BOLT FLANGE SH 6X10   | BOLT FLANGE SH 6X10   | 1       |            |
| 96001-06018 |        | 96001-06018-08 | BOLT FLANGE SH 6*18   | BOLT FLANGE SH 6*18   | 1       |            |
| 96001-06020 |        | 96001-06020-08 | BOLT FLANGE SH 6*20   | BOLT FLANGE SH 6*20   | 3       |            |
| 96001-06022 |        | 96001-06022-06 | BOLT FLANGE 6*20      | BOLT FLANGE 6*20      | 2       |            |



| Sales mark | Ref no | Part no | Description | Reg description | Regd no | <b>E08</b> |
|------------|--------|---------|-------------|-----------------|---------|------------|
|------------|--------|---------|-------------|-----------------|---------|------------|

96001-06028

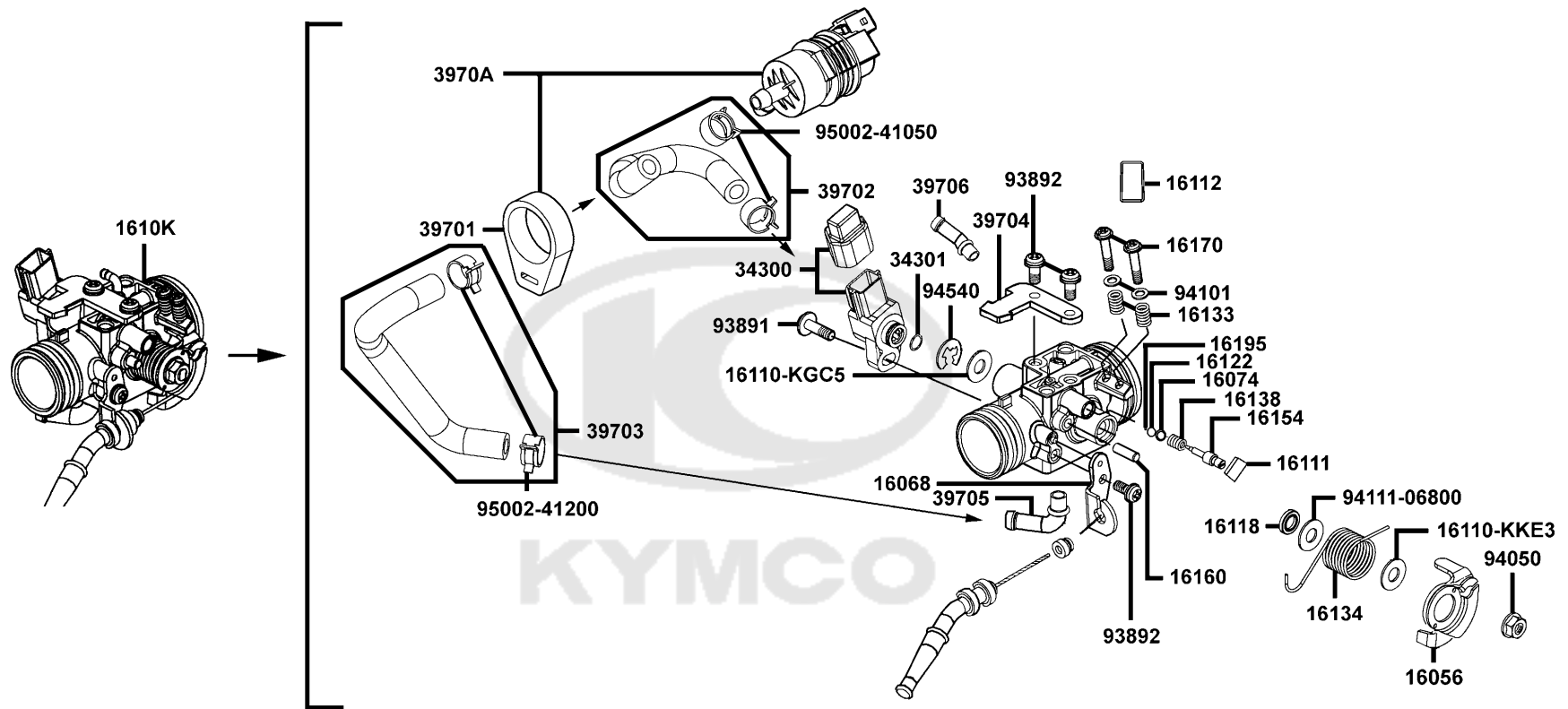
96001-06028-06

BOLT FLANGE 6\*28

BOLT FLANGE 6\*28

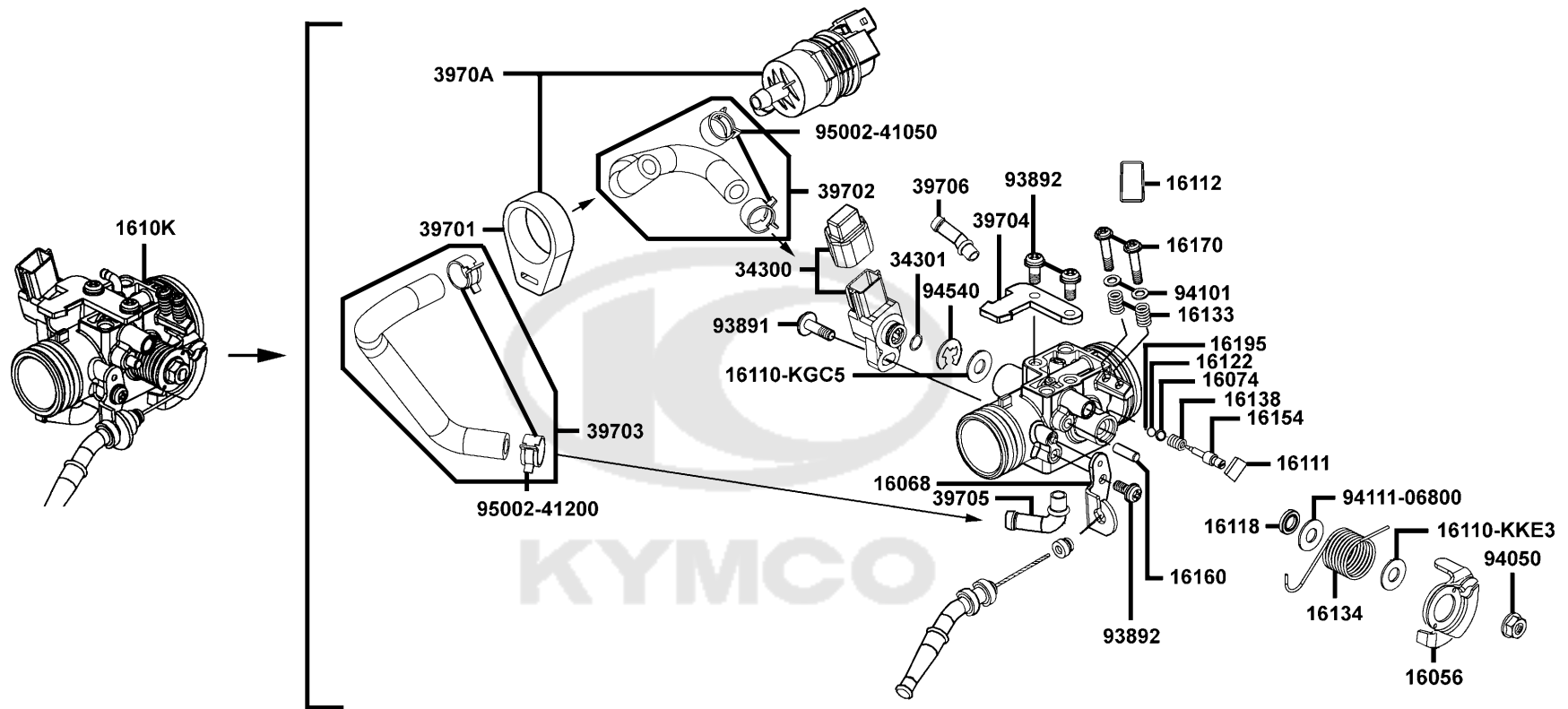
2







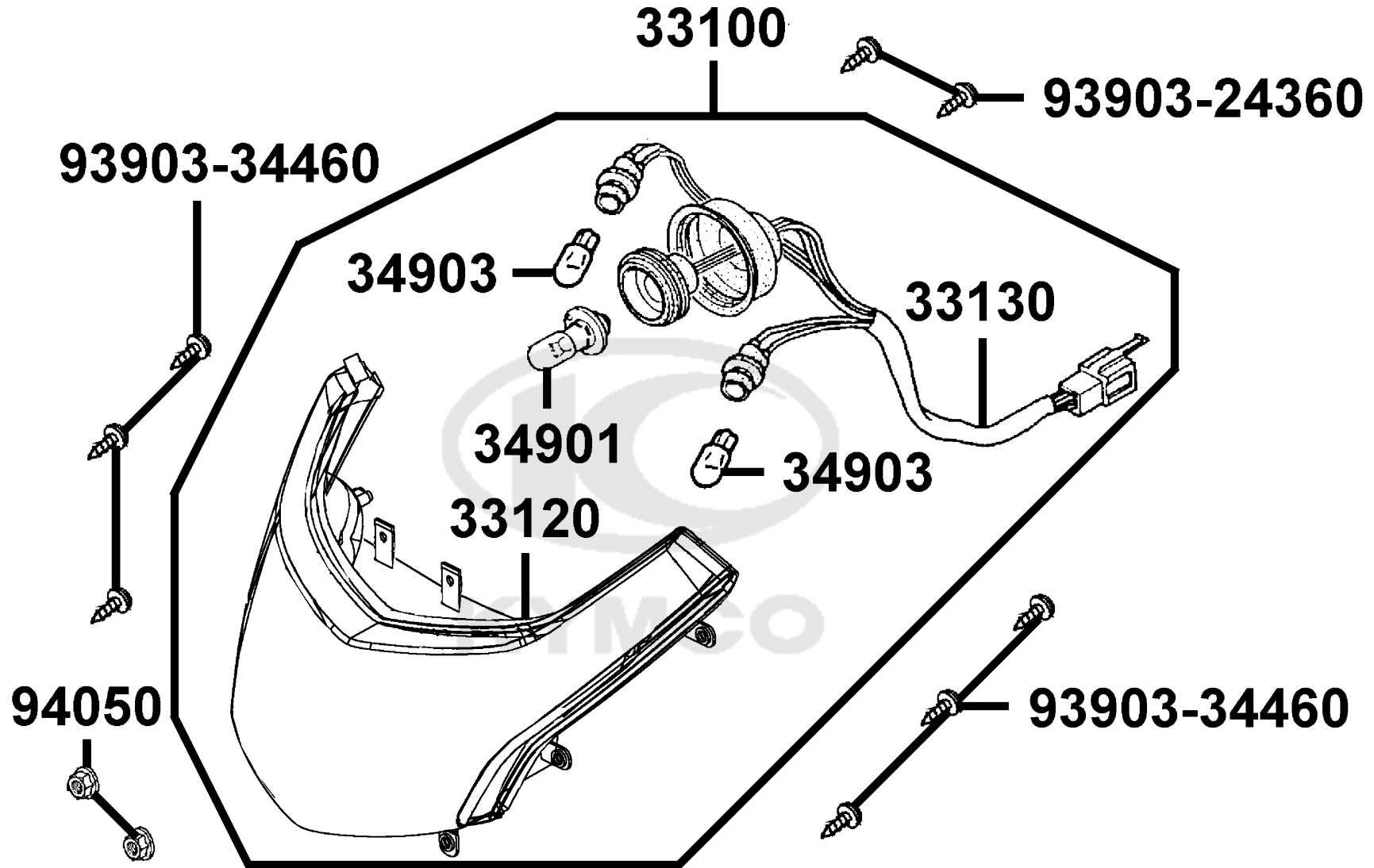
| Sales mark | Ref no     | Part no        | Description                | Reg description            | Regd no | <b>E09</b> |
|------------|------------|----------------|----------------------------|----------------------------|---------|------------|
|            | 16056      | 16056-KKE3-900 | LEVER ASSY THROTTLE        | LEVER ASSY THROTTLE        | 1       |            |
|            | 16068      | 16068-KKE3-900 | PLATE WIRE FIXED           | PLATE WIRE FIXED           | 1       |            |
|            | 16074      | 16074-KEC3-900 | WASHER IDLE SCREW          | WASHER IDLE SCREW          | 1       |            |
|            | 1610K      | 1610K-LEA6-E00 | THROTTLE BODY ASSY         | THROTTLE BODY ASSY         | 1       |            |
|            | 16110-KGC5 | 16110-KGC5-900 | WASHER THROTTLE ASSY       | WASHER THROTTLE ASSY       | 1       |            |
|            | 16110-KKE3 | 16110-KKE3-900 | WASHER THROTTLE COMP       | WASHER THROTTLE COMP       | 1       |            |
|            | 16111      | 16111-KKE3-900 | PLUG PILOT SCREW           | PLUG PILOT SCREW           | 1       |            |
|            | 16112      | 16112-KKE3-900 | COVER IDLE SCREW           | COVER IDLE SCREW           | 1       |            |
|            | 16118      | 16118-KEC3-900 | SEAL THROTTLE SHAFT        | SEAL THROTTLE SHAFT        | 1       |            |
|            | 16122      | 16122-KEC3-900 | O-RING IDLE SCREW          | O-RING IDLE SCREW          | 1       |            |
|            | 16133      | 16133-KEC3-900 | SPG THROTTLE ADJUST SCREW  | SPG THROTTLE ADJUST SCREW  | 2       |            |
|            | 16134      | 16134-KKE3-900 | SPG THROTTLE SHAFT         | SPG THROTTLE SHAFT         | 1       |            |
|            | 16138      | 16138-KEC3-900 | SPG IDLE ADJ SCREW         | SPG IDLE ADJ SCREW         | 1       |            |
|            | 16154      | 16154-KKE3-900 | SCREW IDLE ADJUST          | SCREW IDLE ADJUST          | 1       |            |
|            | 16160      | 16160-KKE3-900 | STOPPER THROTTLE           | STOPPER THROTTLE           | 1       |            |
|            | 16170      | 16170-KEC3-900 | SCREW THROTTLE ADJUST      | SCREW THROTTLE ADJUST      | 2       |            |
|            | 16195      | 16195-KEC3-900 | BALL 2.1                   | BALL 2.1                   | 1       |            |
|            | 34300      | 34300-KKE3-900 | THROTTLE POSITION SENSOR   | THROTTLE POSITION SENSOR   | 1       |            |
|            | 34301      | 34301-KKE3-900 | O-RING T.P.S.              | O-RING T.P.S.              | 1       |            |
|            | 39701      | 39701-KKE3-800 | RUBBER BY-PASS VALVE MOUNT | RUBBER BY-PASS VALVE MOUNT | 1       |            |



| Sales mark  | Ref no | Part no        | Description                    | Reg description                | Regd no | <b>E09</b> |
|-------------|--------|----------------|--------------------------------|--------------------------------|---------|------------|
| 39702       |        | 39702-LEJ8-E00 | TUBE ASSY BY-PASS VALVE INLET  | TUBE ASSY BY-PASS VALVE INLET  | 1       |            |
| 39703       |        | 39703-KKE3-900 | TUBE ASSY BY-PASS VALVE OUTLET | TUBE ASSY BY-PASS VALVE OUTLET | 1       |            |
| 39704       |        | 39704-LEA6-900 | BRACKET BY-PASS VALVE MOUNT    | BRACKET BY-PASS VALVE MOUNT    | 1       |            |
| 39705       |        | 39705-KKE3-900 | PIPE BY PASS VALVE             | PIPE BY PASS VALVE             | 1       |            |
| 39706       |        | 39706-KKE3-900 | PIPE B BY PASS VALVE           | PIPE B BY PASS VALVE           | 1       |            |
| 3970A       |        | 3970A-KKE3-800 | BY PASS VALVE IDLE AIR         | BY PASS VALVE IDLE AIR         | 1       |            |
| 93891       |        | 93891-05016-08 | SCREW WASHER 5*16              | SCREW WASHER 5*16              | 1       |            |
| 93892       |        | 93892-05010-08 | SCREW WASH 5*10                | SCREW WASH 5*10                | 3       |            |
| 94050       |        | 94050-06080    | NUT FLANGE 6MM                 | NUT FLANGE 6MM                 | 1       |            |
| 94101       |        | 94101-KKE3-900 | WASHER PLAN 4.5*8*0.8          | WASHER PLAN 4.5*8*0.8          | 2       |            |
| 94111-06800 |        | 94111-06800    | WASHER SPG 6MM                 | WASHER SPG 6MM                 | 1       |            |
| 94540       |        | 94540-50029    | E CLIP SHAFT                   | E CLIP SHAFT                   | 1       |            |
| 95002-41050 |        | 95002-41050-08 | CLAMP D 10.5 TUBE              | CLAMP D 10.5 TUBE              | 2       |            |
| 95002-41200 |        | 95002-41200-08 | FUEL TUBE CLAMP                | FUEL TUBE CLAMP                | 2       |            |

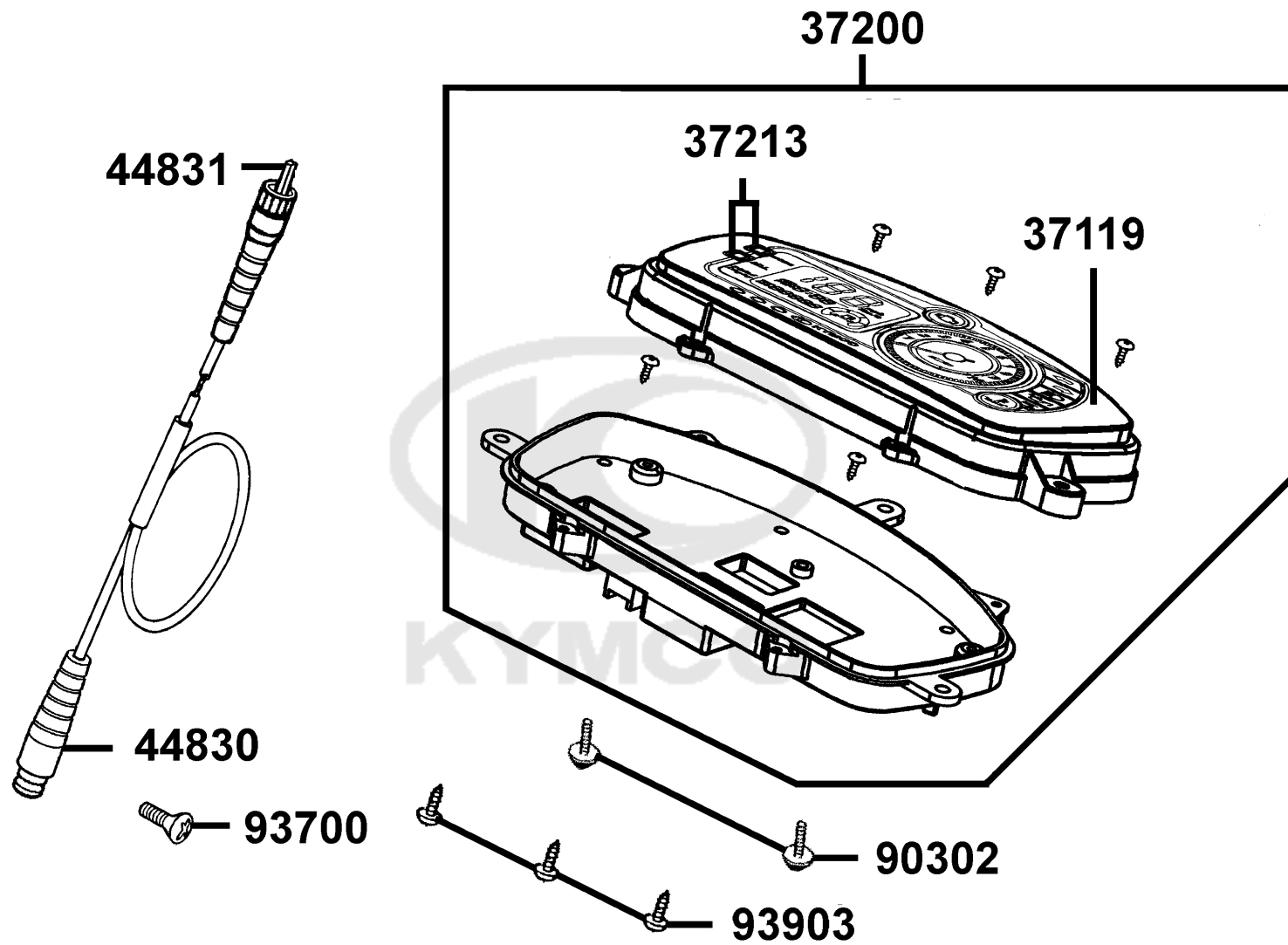
F01

Head Light



| Sales mark | Ref no      | Part no        | Description        | Reg description    | Regd no | <b>F01</b> |
|------------|-------------|----------------|--------------------|--------------------|---------|------------|
|            | 33100       | 33100-LEA5-E00 | LIGHT ASSY HEAD    | LIGHT ASSY HEAD    | 1       |            |
|            | 33120       | 33120-LEA5-E00 | UNIT HEAD LIGHT    | UNIT HEAD LIGHT    | 1       |            |
|            | 33130       | 33130-LEA5-E00 | SOCKET COMP HEAD   | SOCKET COMP HEAD   | 1       |            |
|            | 34901       | 34901-KED9-900 | BULB HEAD LIGHT    | BULB HEAD LIGHT    | 1       |            |
|            | 34903       | 34903-KPCP-900 | BULB POSITION      | BULB POSITION      | 2       |            |
|            | 93903-24360 | 93903-24360    | SCREW TAPPING 4*12 | SCREW TAPPING 4*12 | 2       |            |
|            | 93903-34460 | 93903-34460    | SCREW TAPPING 4*16 | SCREW TAPPING 4*16 | 6       |            |
|            | 94050       | 94050-06080    | NUT FLANGE 6MM     | NUT FLANGE 6MM     | 2       |            |



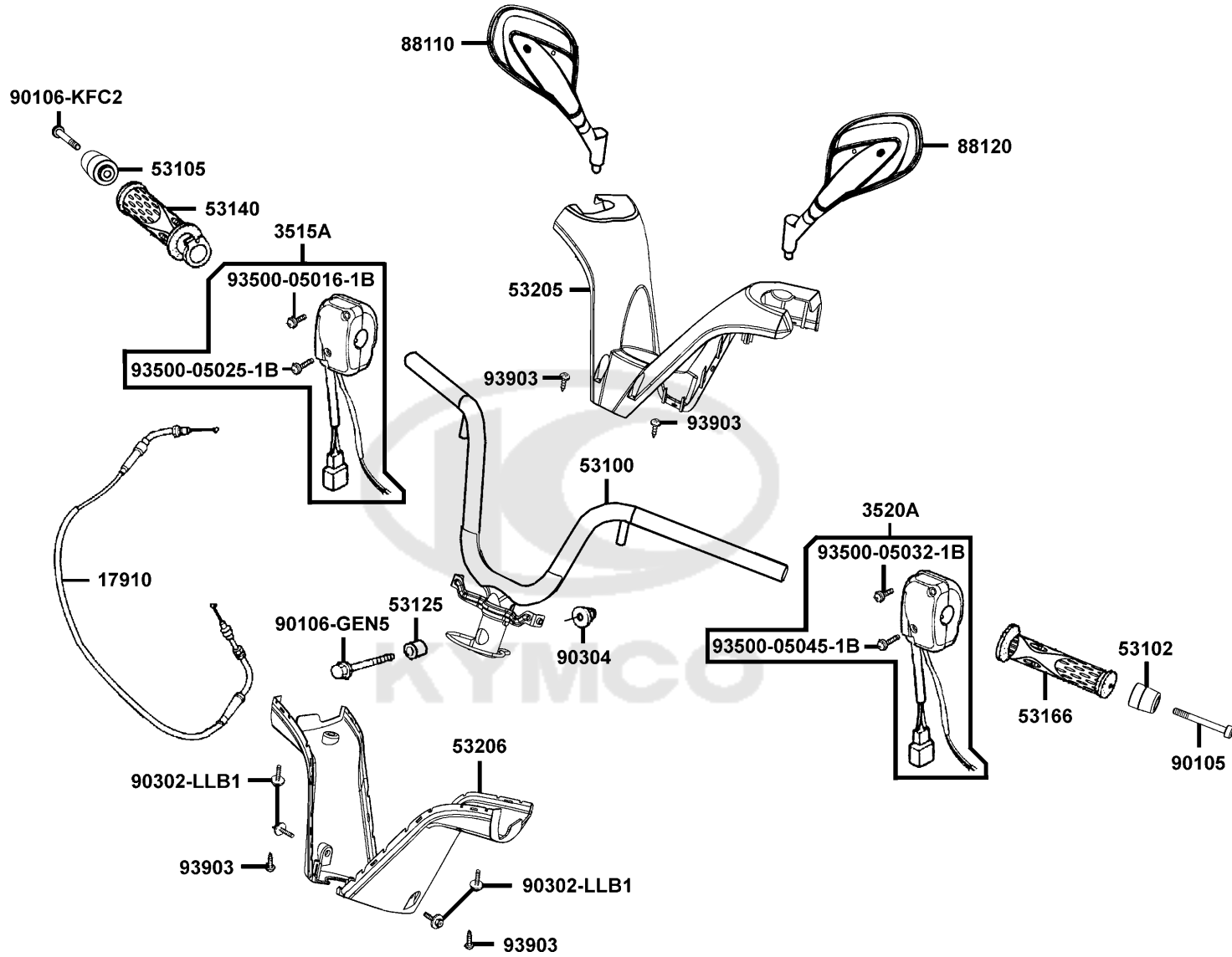


| Sales mark | Ref no | Part no        | Description        | Reg description    | Regd no | <b>F02</b> |
|------------|--------|----------------|--------------------|--------------------|---------|------------|
|            | 37119  | 37119-LEA5-E0A | LENS ASSY          | LENS ASSY          | 1       |            |
|            | 37200  | 37200-LEA6-E0A | METER ASSY SPEED   | METER ASSY SPEED   | 1       |            |
|            | 37213  | 37213-LDA6-900 | BUTTON / RUBBER    | BUTTON / RUBBER    | 2       |            |
|            | 44830  | 44830-KGBG-900 | CABLE COMP SPDMT   | CABLE COMP SPDMT   | 1       |            |
|            | 44831  | 44831-KGBG-900 | CABLE INNER        | CABLE INNER        | 1       |            |
|            | 90302  | 90302-GFY6-940 | BOLT-WASH 5*16     | BOLT-WASH 5*16     | 2       |            |
|            | 93700  | 93700-05018-0H | SCREW OVAL 5*18    | SCREW OVAL 5*18    | 1       |            |
|            | 93903  | 93903-35320    | SCREW TAPPING 5*16 | SCREW TAPPING 5*16 | 3       |            |



F03

# Handle SteeringHandle Cover

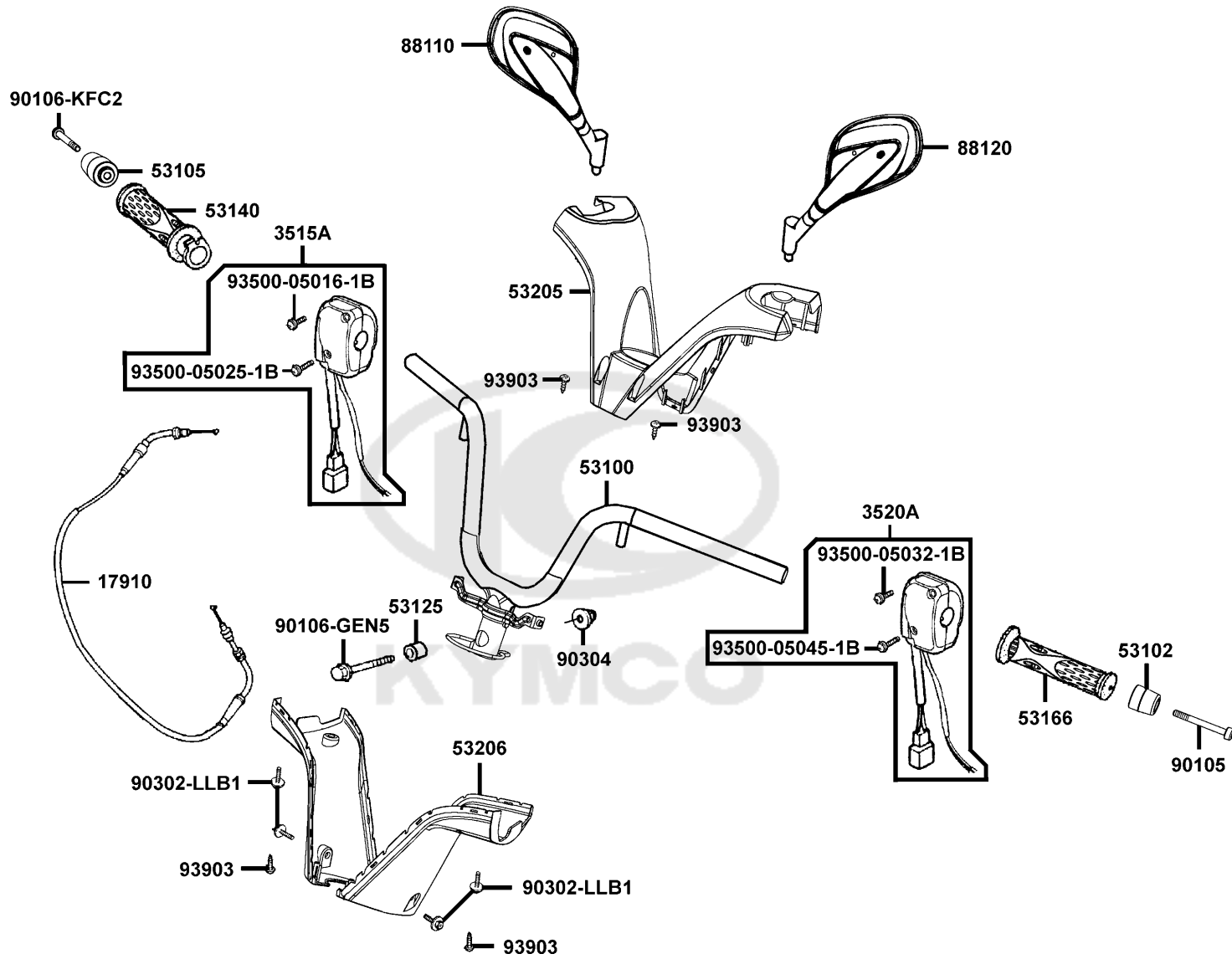




| Sales mark | Ref no         | Part no           | Description         | Reg description     | Regd no | F03 |
|------------|----------------|-------------------|---------------------|---------------------|---------|-----|
|            | 17910          | 17910-LEA6-E00    | CABLE COMP THROT    | CABLE COMP THROT    | 1       |     |
|            | 3515A          | 3515A-LBF6-E00    | SW ASSY R HNDL COMP | SW ASSY R HNDL COMP | 1       |     |
|            | 3520A          | 3520A-KEBE-900    | SW ASSY L HNDL COMP | SW ASSY L HNDL COMP | 1       |     |
|            | 53100          | 53100-LEA5-E00    | HANDLE COMP STRG    | HANDLE COMP STRG    | 1       |     |
| **         | 53102          | 53102-LEA5-E00    | END L HANDLE        | END L HANDLE        | 1       |     |
| **         | 53105          | 53105-LEA5-E00    | END R HANDLE        | END R HANDLE        | 1       |     |
|            | 53125          | 53125-GEN5-901    | COLLAR HANDLE SET   | COLLAR HANDLE SET   | 1       |     |
| **         | 53140          | 53140-KKC3-900    | GRIP COMP THROT     | GRIP COMP THROT     | 1       |     |
| **         | 53166          | 53166-KGB5-900    | GRIP L HANDLE       | GRIP L HANDLE       | 1       |     |
| **         | 53205          | 53205-LEA5-E00    | COVER HNDL UP       | COVER HNDL UP       | 1       |     |
| **         | 53206          | 53206-LEA5-E00    | COVER R HANDLE LOW  | COVER R HANDLE LOW  | 1       |     |
| **         | 88110          | 88110-LEA6-900    | MIRROR ASSY R BACK  | MIRROR ASSY R BACK  | 1       |     |
| **         | 88120          | 88120-LEA6-900    | MIRROR ASSY L BACK  | MIRROR ASSY L BACK  | 1       |     |
|            | 90106-GEN5     | 90106-GEN5-901    | BOLT FLANGE 10*50   | BOLT FLANGE 10*50   | 1       |     |
| #          | 90106-KFC2     | 90106-KFC2-900    | BOLT WASH 8MM       | BOLT WASH 8MM       | 2       |     |
|            | 90302-LLB1     | 90302-LLB1-E00    | BOLT-WASHER 5*12    | BOLT-WASH 5X12      | 4       |     |
|            | 90304          | 90304-GHE8-004-SY | NUT U 10MM          | NUT U 10MM          | 1       |     |
|            | 93500-05016-1B | 93500-05016-1B    | SCREW PAN 5*16      | SCREW PAN 5*16      | 1       |     |
|            | 93500-05025-1B | 93500-05025-1B    | SCREW PAN 5*25      | SCREW PAN 5*25      | 1       |     |
|            | 93500-05032-1B | 93500-05032-1B    | SCREW PAN 5*32      | SCREW PAN 5*32      | 1       |     |

F03

# Handle SteeringHandle Cover

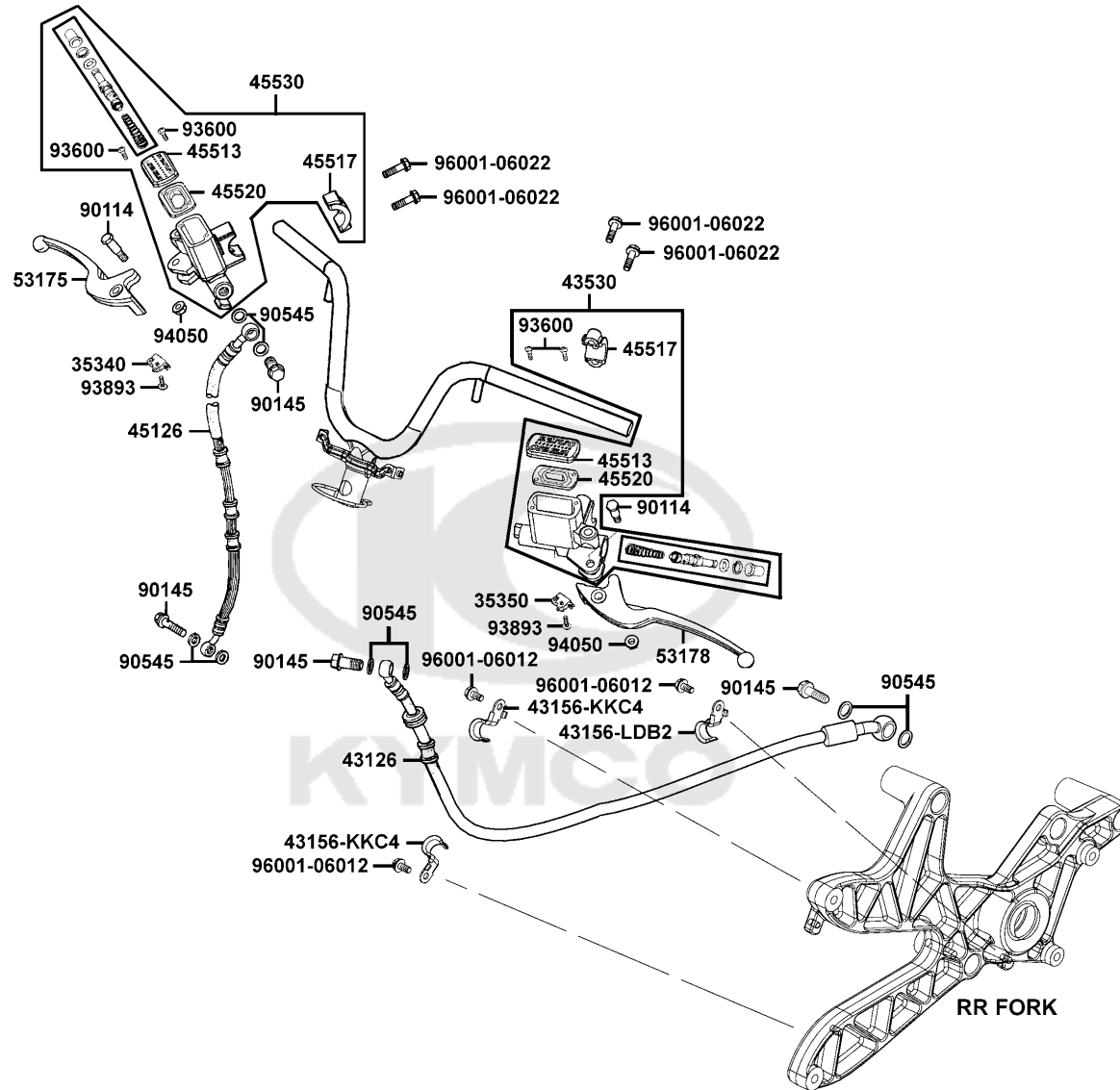


| Sales mark | Ref no | Part no | Description | Reg description | Regd no | <b>F03</b> |
|------------|--------|---------|-------------|-----------------|---------|------------|
|------------|--------|---------|-------------|-----------------|---------|------------|

|                |                |                    |                    |   |
|----------------|----------------|--------------------|--------------------|---|
| 93500-05045-1B | 93500-05045-1B | SCREW PAN 5*45     | SCREW PAN 5*45     | 1 |
| 93903          | 93903-34360    | SCREW TAPPING 4*12 | SCREW TAPPING 4*12 | 4 |



# Brake Master Cylinder



| Sales mark  | Ref no | Part no        | Description         | Reg description     | Regd no | <b>F04</b> |
|-------------|--------|----------------|---------------------|---------------------|---------|------------|
| 35340       |        | 35340-KNBN-901 | SW ASSY FR STOP     | SW ASSY FR STOP     | 1       |            |
| 35350       |        | 35350-KNBN-901 | SW ASSY RR STOP     | SW ASSY RR STOP     | 1       |            |
| 43126       |        | 43126-LEA5-E00 | HOSE ASSY RR BRAAKE | HOSE ASSY RR BRAAKE | 1       |            |
| 43156-KKC4  |        | 43156-KKC4-900 | CLAMPER HOSE RR     | CLAMPER HOSE RR     | 2       |            |
| 43156-LDB2  |        | 43156-LDB2-900 | CLAMPER HOSE RR     | CLAMPER HOSE RR     | 1       |            |
| 43530       |        | 43530-KHD4-305 | CYLN SET RR MASTER  | CYLN SET RR MASTER  | 1       |            |
| 45126       |        | 45126-LEA5-E00 | HOSE ASSY FR BRK    | HOSE ASSY FR BRK    | 1       |            |
| 45513       |        | 45513-KHD4-B00 | CAP MASTER CYLINDER | CAP MASTER CYLINDER | 2       |            |
| 45517       |        | 45517-KFAF-910 | HOLDER M/C          | HOLDER M/C          | 2       |            |
| 45520       |        | 45520-GLW0-91A | DIAPHRAGM           | DIAPHRAGM           | 2       |            |
| 45530       |        | 45530-KHD4-305 | CYLN SET FR MASTER  | CYLN SET FR MASTER  | 1       |            |
| 53175       |        | 53175-LEA5-E00 | LEVER R STRG HNDL   | LEVER R STRG HNDL   | 1       |            |
| 53178       |        | 53178-LEA5-E00 | LEVER L STRG HNDL   | LEVER L STRG HNDL   | 1       |            |
| 90114       |        | 90114-1F66-007 | BOLT HANDLE LEVER   | BOLT HANDLE LEVER   | 2       |            |
| 90145       |        | 90145-MKS9-61A | OIL BOLT 10*22      | OIL BOLT 10*22      | 4       |            |
| 90545       |        | 90545-3L00-001 | WASHER OIL BOLT     | WASHER OIL BOLT     | 8       |            |
| 93600       |        | 93600-04012-1G | SCREW FLAT 4*12     | SCREW FLAT 4*12     | 4       |            |
| 93893       |        | 93893-04012-18 | SCREW WASHER 4*12   | SCREW WASHER 4*12   | 2       |            |
| 94050       |        | 94050-06060    | NUT FLANGE 6MM      | NUT FLANGE 6MM      | 2       |            |
| 96001-06012 |        | 96001-06012-06 | BOLT FLANGE SH 6*12 | BOLT FLANGE SH 6*12 | 3       |            |



| Sales mark | Ref no | Part no | Description | Reg description | Regd no | <b>F04</b> |
|------------|--------|---------|-------------|-----------------|---------|------------|
|------------|--------|---------|-------------|-----------------|---------|------------|

96001-06022

96001-06022-06

BOLT FLANGE 6\*20

BOLT FLANGE 6\*20

4

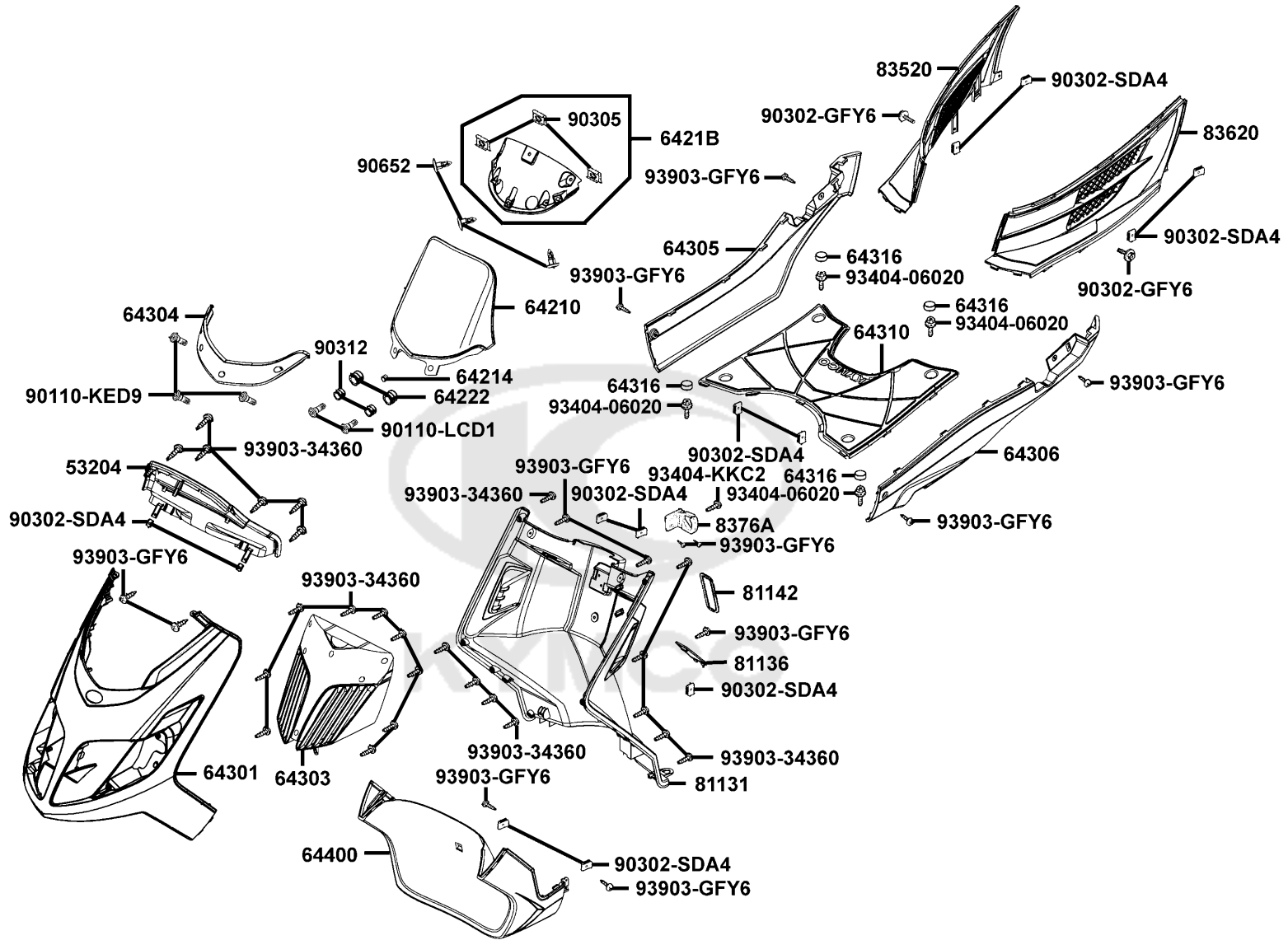






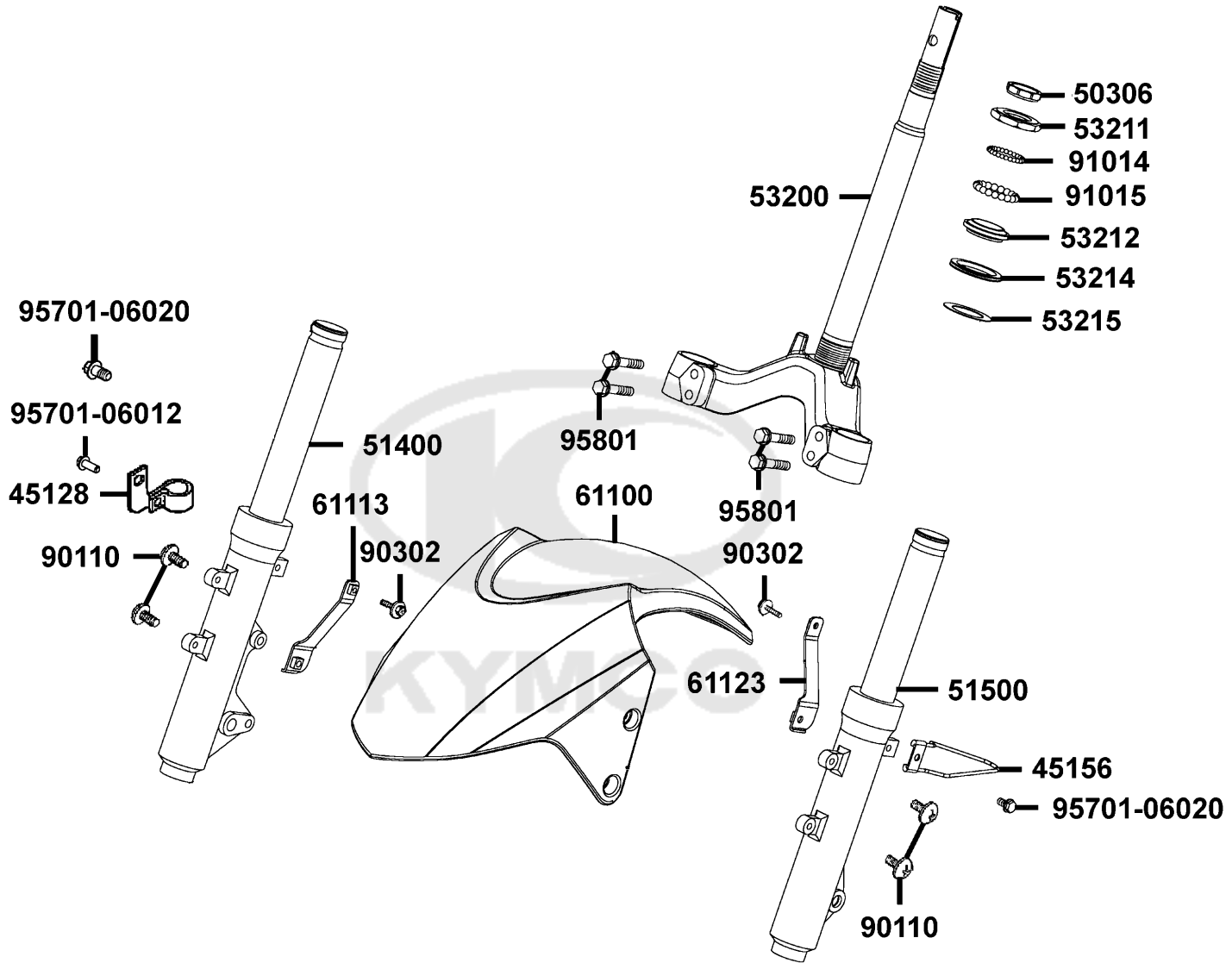
| Sales mark | Ref no     | Part no        | Description            | Reg description        | Regd no | F05 |
|------------|------------|----------------|------------------------|------------------------|---------|-----|
| **         | 53204      | 53204-LEA5-E00 | COVER METER            | COVER METER            | 1       |     |
| **         | 64210      | 64210-LEA5-E00 | VISOR METER            | VISOR METER            | 1       |     |
|            | 64214      | 64214-LEA5-E00 | PLUG VISOR             | PLUG VISOR             | 1       |     |
| **         | 6421B      | 6421B-LEA5-E00 | COVER ASSY VISOR INNER | COVER ASSY VISOR INNER | 1       |     |
|            | 64222      | 64222-KKC4-900 | RUBBER WIND SCREEN     | RUBBER WIND SCREEN     | 4       |     |
| **         | 64301      | 64301-LEA5-E00 | COVER FR               | COVER FR               | 1       |     |
| **         | 64303      | 64303-LEA5-E00 | FR GRILL               | FR GRILL               | 1       |     |
| **         | 64304      | 64304-LEA5-E00 | LID COVER FR           | LID COVER FR           | 1       |     |
| **         | 64305      | 64305-LEA5-E00 | SKIRT R SIDE           | SKIRT R SIDE           | 1       |     |
| **         | 64306      | 64306-LEA5-E00 | SKIRT L SIDE           | SKIRT L SIDE           | 1       |     |
| **         | 64310      | 64310-LEA5-E00 | FLOOR PANEL            | FLOOR PANEL            | 1       |     |
| **         | 64316      | 64316-KHE2-900 | PLUG FLOOR             | PLUG FLOOR             | 4       |     |
| **         | 64400      | 64400-LEA5-E00 | COWL UNDER             | COWL UNDER             | 1       |     |
| **         | 81131      | 81131-LEA5-E00 | LEG SHIELD             | LEG SHIELD             | 1       |     |
| **         | 81136      | 81136-LEA5-E00 | LID RESERVE TANK       | LID RESERVE TANK       | 1       |     |
| **         | 81142      | 81142-KUDU-900 | LID LEG SHIELD         | LID LEG SHIELD         | 1       |     |
| **         | 83520      | 83520-LEA5-E00 | COVER R SIDE           | COVER R SIDE           | 1       |     |
| **         | 83620      | 83620-LEA5-E00 | COVER L SIDE           | COVER L SIDE           | 1       |     |
|            | 8376A      | 8376A-KEBE-900 | CLIP ASSY CENTER       | CLIP ASSY CENTER       | 1       |     |
|            | 90110-KED9 | 90110-KED9-900 | SCREW PAN 6*18         | SCREW PAN 6*18         | 3       |     |

Front Cover/Floor Panel



| Sales mark | Ref no      | Part no        | Description        | Reg description    | Regd no | <b>F05</b> |
|------------|-------------|----------------|--------------------|--------------------|---------|------------|
|            | 90110-LCD1  | 90110-LCD1-E00 | SCREW SPECIAL 6*25 | SCREW SPECIAL 6*25 | 2       |            |
|            | 90302-GFY6  | 90302-GFY6-901 | BOLT WASH 5*12     | BOLT WASH 5*12     | 2       |            |
|            | 90302-SDA4  | 90302-SDA4-004 | NUT SPRING 4MM     | NUT SPRING 4MM     | 13      |            |
|            | 90305       | 90305-GHK8-001 | NUT CLIP 6MM       | NUT CLIP 6MM       | 3       |            |
|            | 90312       | 90312-LCD3-E01 | COLLAR VISOR       | COLLAR VISOR       | 2       |            |
|            | 90652       | 90652-LCA4-E00 | CLIP MUDGUARD      | CLIP MUDGUARD      | 3       |            |
|            | 93404-06020 | 93404-06020-06 | BOLT WASH 6*20     | BOLT WASH 6*20     | 4       |            |
|            | 93404-KKC2  | 93404-KKC2-900 | BOLT WASH 6*16     | BOLT WASH 6*16     | 1       |            |
|            | 93903-34360 | 93903-34360    | SCREW TAPPING 4*12 | SCREW TAPPING 4*12 | 25      |            |
|            | 93903-GFY6  | 93903-GFY6-900 | SCREW TAPPING 4*14 | SCREW TAPPING 4*14 | 13      |            |

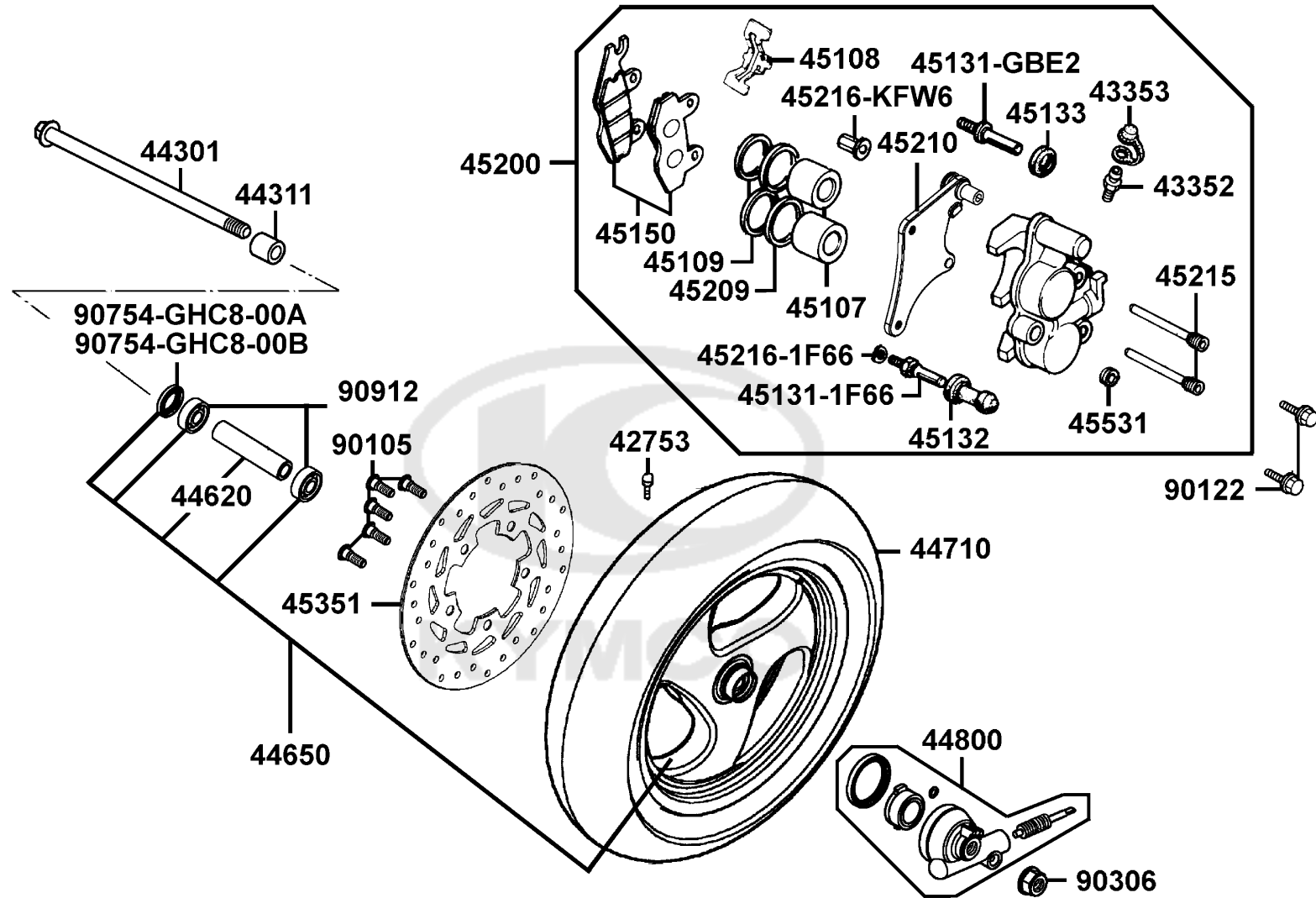




| Sales mark | Ref no      | Part no        | Description             | Reg description         | Regd no | <b>F06</b> |
|------------|-------------|----------------|-------------------------|-------------------------|---------|------------|
|            | 45128       | 45128-KEBE-900 | CLAMPER FR BRAKE HOSE   | CLAMPER FR BRAKE HOSE   | 1       |            |
|            | 45156       | 45156-KECE-900 | CLAMPER FR BRK CABLE    | CLAMPER FR BRK CABLE    | 1       |            |
|            | 50306       | 50306-1F96-001 | NUT STRG STEM LOCK      | NUT STRG STEM LOCK      | 1       |            |
| **         | 51400       | 51400-LEA5-E00 | FORK ASSY R FR          | FORK ASSY R FR          | 1       |            |
| **         | 51500       | 51500-LEA5-E00 | FORK SET L FR           | FORK SET L FR           | 1       |            |
|            | 53200       | 53200-KKC2-900 | STEM COMP STRG          | STEM COMP STRG          | 1       |            |
|            | 53211       | 53211-GFY6-940 | RACE STRG TOP CONE      | RACE STRG TOP CONE      | 1       |            |
|            | 53212       | 53212-2L50-011 | RACE STRG BOT CONE      | RACE (STRG BOTTOM) CONE | 1       |            |
|            | 53214       | 53214-2L50-001 | DUST SEAL STRG(HEAD)    | DUST SEAL STRG (HEAD)   | 1       |            |
|            | 53215       | 53215-2L50-001 | WASH STRG HDL DUST-SEAL | WASH STRG HDL DUST-SEAL | 1       |            |
| **         | 61100       | 61100-LEA5-E00 | FENDER FR               | FENDER FR               | 1       |            |
|            | 61113       | 61113-LEA5-E00 | STAY R FR FENDER        | STAY R FR FENDER        | 1       |            |
|            | 61123       | 61123-LEA5-E00 | STAY L FR FENDER        | STAY L FR FENDER        | 1       |            |
|            | 90110       | 90110-KEB7-900 | SCREW SPECIAL 6*14      | SCREW SPECIAL 6*14      | 4       |            |
|            | 90302       | 90302-GFY6-901 | BOLT WASH 5*12          | BOLT WASH 5*12          | 2       |            |
|            | 91014       | 91014-LLJ3-E00 | CAGE STEERING TOP       | CAGE STEERING TOP       | 1       |            |
|            | 91015       | 91015-LLJ3-E00 | CAGE STEERING BOT       | CAGE STEERING BOT       | 1       |            |
|            | 95701-06012 | 95701-06012-06 | BOLT FLANGE 6*12        | BOLT FLANGE 6*12        | 1       |            |
|            | 95701-06020 | 95701-06020-06 | BOLT FLANGE 6*20        | BOLT FLANGE 6*20        | 2       |            |
|            | 95801       | 95801-08040-06 | BOLT FLANGE 8*40        | BOLT FLANGE 8*40        | 4       |            |

F07

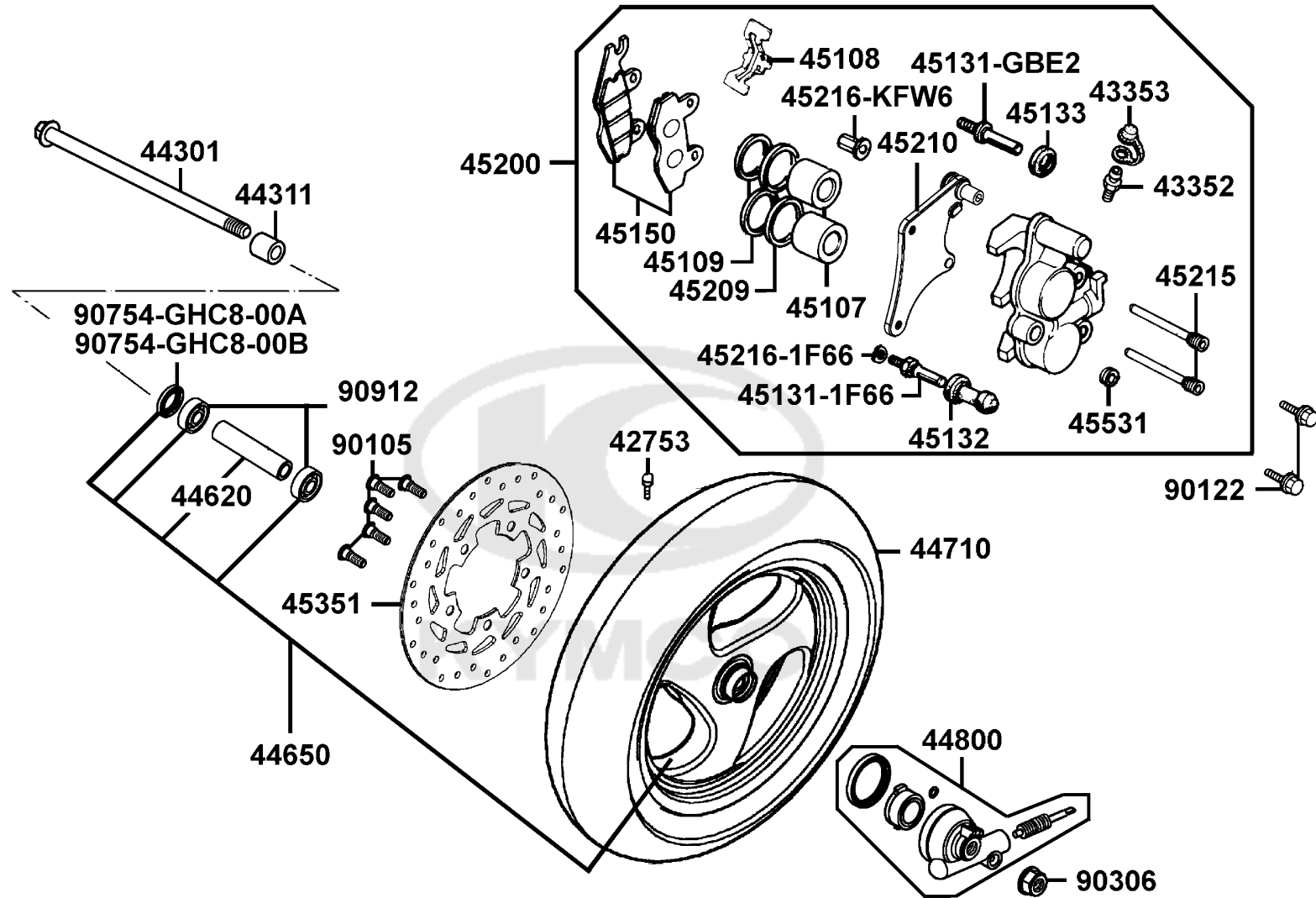
Front Wheel



| Sales mark | Ref no     | Part no        | Description             | Reg description         | Regd no | F07 |
|------------|------------|----------------|-------------------------|-------------------------|---------|-----|
|            | 42753      | 42753-KNBN-90B | VALAE RIM (TR412)       | VALAE RIM (TR412)       | 1       |     |
|            | 43352      | 43352-5H68-004 | SCREW BLEEDER           | SCREW BLEEDER           | 1       |     |
|            | 43353      | 43353-4A61-77A | CAP BLEEDER             | CAP BLEEDER             | 1       |     |
|            | 44301      | 44301-KXCX-900 | AXLE FR WHEEL           | AXLE FR WHEEL           | 1       |     |
|            | 44311      | 44311-KEBE-900 | COLLAR FR WHEEL SIDE    | COLLAR FR WHEEL SIDE    | 1       |     |
|            | 44620      | 44620-KHD8-900 | COLLAR FR AXLE DISTANCE | COLLAR FR AXLE DISTANCE | 1       |     |
| **         | 44650      | 44650-LEA5-305 | WHEEL SET FR            | WHEEL SET FR            | 1       |     |
|            | 44710      | 44710-LEA5-E00 | TIRE ASSY FR /MAXXIS    | TIRE ASSY FR /MAXXIS    | 1       |     |
|            | 44800      | 44800-LEA5-E00 | GEAR BOX ASSY           | GEAR BOX ASSY           | 1       |     |
|            | 45107      | 45107-MEN5-007 | PISTON                  | PISTON                  | 2       |     |
|            | 45108      | 45108-MDL4-007 | PAD SPG                 | PAD SPG                 | 1       |     |
|            | 45109      | 45109-GBE2-007 | DUST SEAL               | DUST SEAL               | 2       |     |
|            | 45131-1F66 | 45131-1F66-017 | PIN BOLT                | PIN BOLT                | 1       |     |
|            | 45131-GBE2 | 45131-GBE2-007 | PIN BOLT A              | PIN BOLT A              | 1       |     |
|            | 45132      | 45132-1F66-017 | BUSH BOOT PIN           | BUSH BOOT PIN           | 1       |     |
|            | 45133      | 45133-MCA3-007 | BOOT B                  | BOOT B                  | 1       |     |
|            | 45150      | 45150-LLB5-305 | PAD COMP                | PAD COMP                | 1       |     |
| **         | 45200      | 45200-LEA5-E00 | CALIPER ASSY FR         | CALIPER ASSY FR         | 1       |     |
|            | 45209      | 45209-GBE2-007 | SEAL PISTON             | SEAL PISTON             | 2       |     |
|            | 45210      | 45210-LEA5-E00 | BRACKET FR              | BRACKET FR              | 1       |     |

F07

Front Wheel

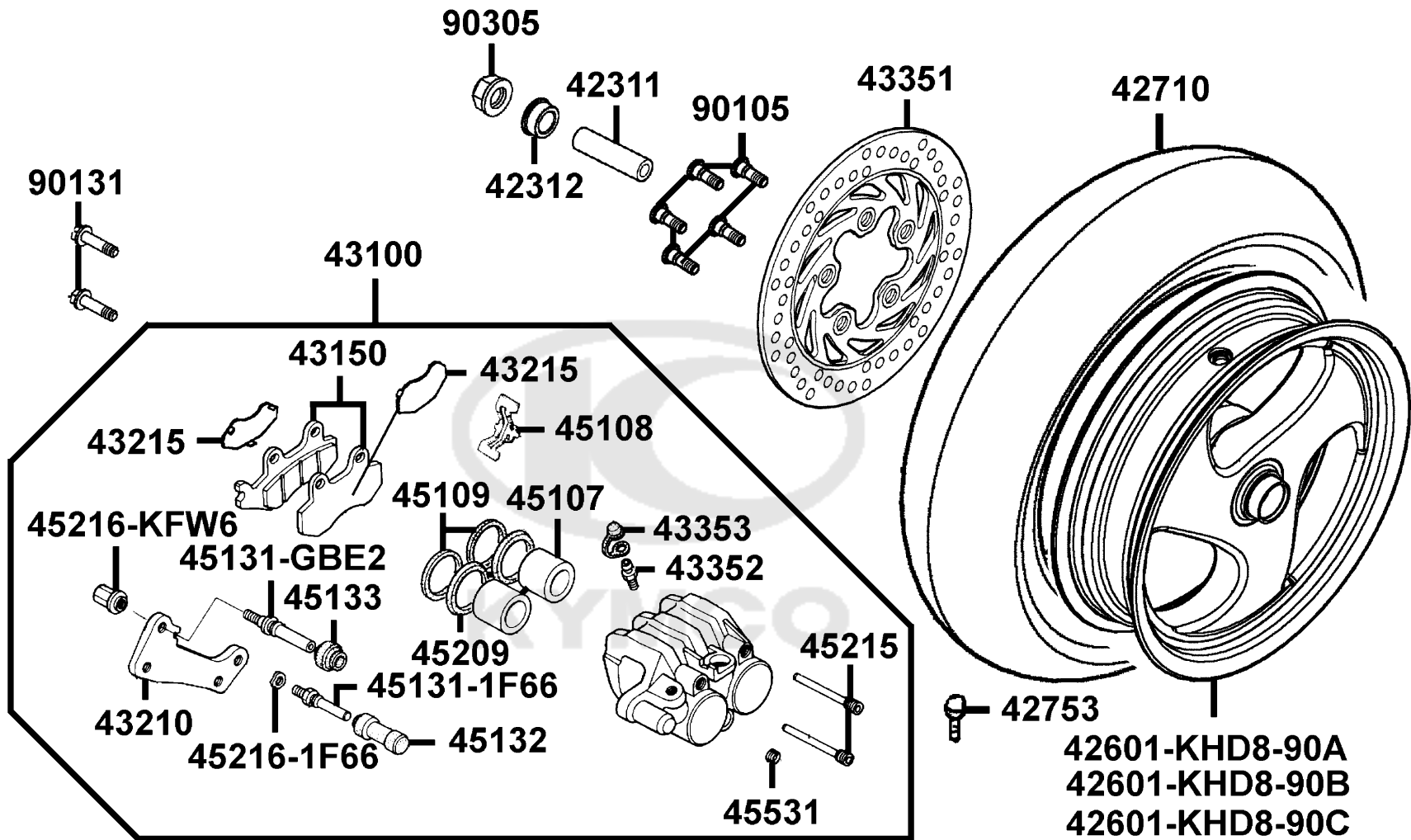




| Sales mark | Ref no         | Part no           | Description       | Reg description   | Regd no | <b>F07</b> |
|------------|----------------|-------------------|-------------------|-------------------|---------|------------|
|            | 45215          | 45215-KECE-900    | PIN HANGER        | PIN HANGER        | 2       |            |
|            | 45216-1F66     | 45216-1F66-007    | WASHER WAVE       | WASHER WAVE       | 1       |            |
|            | 45216-KFW6     | 45216-KFW6-90A    | TORQUE NUT        | TORQUE NUT        | 1       |            |
| **         | 45351          | 45351-LEA5-E00    | DISK FR BRAKE     | DISK FR BRAKE     | 1       |            |
|            | 45531          | 45531-GAR1-951    | PLUG              | PLUG              | 1       |            |
|            | 90105          | 90105-KCR3-001    | BOLT FR DISK 8*24 | BOLT FR DISK 8*24 | 5       |            |
|            | 90122          | 90122-KEBE-900    | BOLT FLANGE 8*32  | BOLT FLANGE 8*32  | 2       |            |
|            | 90306          | 90306-KLF0-004-SY | NUT FLANGE 12MM   | NUT FLANGE 12MM   | 1       |            |
|            | 90754-GHC8-00A | 90754-GHC8-00A    | SEAL DUST 20*32*5 | SEAL DUST 20*32*5 | 1       |            |
|            | 90754-GHC8-00B | 90754-GHC8-00B    | SEAL DUST 20*32*5 | SEAL DUST 20*32*5 | 1       |            |
|            | 90912          | 90912-KFLF-00A    | BEARING 6201 LLU  | BEARING 6201 LLU  | 2       |            |

F08

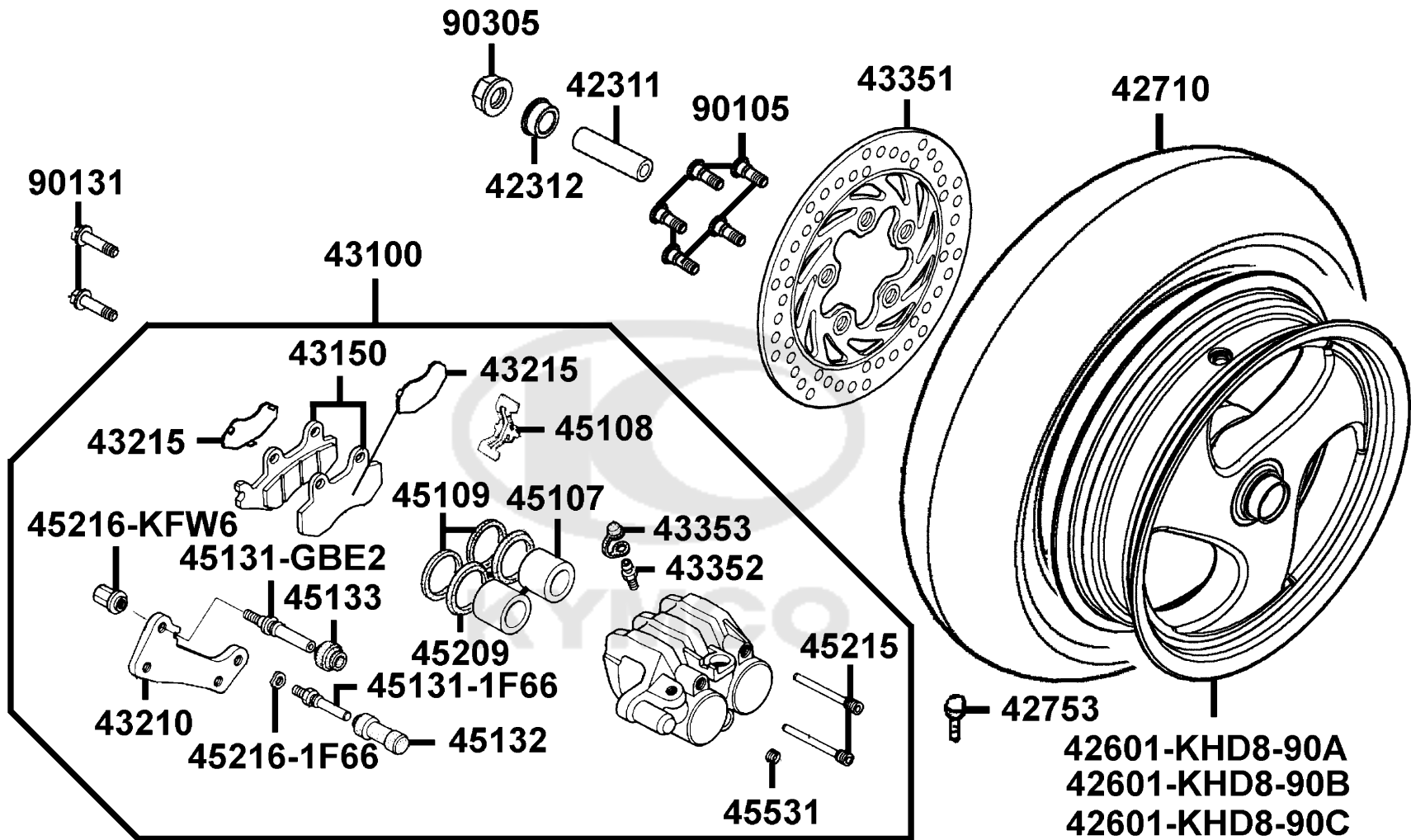
Rear Wheel



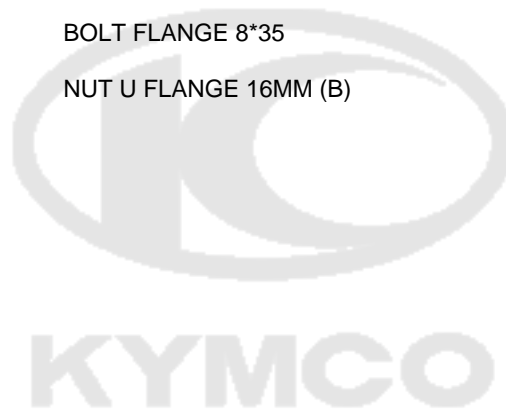
| Sales mark | Ref no         | Part no        | Description                          | Reg description                      | Regd no | F08 |
|------------|----------------|----------------|--------------------------------------|--------------------------------------|---------|-----|
|            | 42311          | 42311-LEA5-E00 | COLLAR RR AXLE A                     | COLLAR RR AXLE A                     | 1       |     |
|            | 42312          | 42312-KEBE-900 | COLLAR RR AXLE SIDE                  | COLLAR RR AXLE SIDE                  | 1       |     |
| **         | 42601-KHD8-90A | 42601-KHD8-90A | WHEEL RR CAST                        | WHEEL RR CAST                        | 1       |     |
| **         | 42601-KHD8-90B | 42601-KHD8-90B | WHEEL RR CAST                        | WHEEL RR CAST                        | 1       |     |
| **         | 42601-KHD8-90C | 42601-KHD8-90C | WHEEL RR CAST                        | WHEEL RR CAST                        | 1       |     |
|            | 42710          | 42710-KKC2-E00 | TIRE ASSY RR (140/70-12) /CHENG SHIN | TIRE ASSY RR (140/70-12) /CHENG SHIN | 1       |     |
|            | 42753          | 42753-KNBN-90B | VALAE RIM (TR412)                    | VALAE RIM (TR412)                    | 1       |     |
| **         | 43100          | 43100-LEA5-900 | CALIPER ASSY RR                      | CALIPER ASSY RR                      | 1       |     |
|            | 43150          | 43150-LEA5-306 | PAD COMP                             | PAD COMP                             | 1       |     |
| **         | 43210          | 43210-KEBE-900 | BRACKET RR                           | BRACKET RR                           | 1       |     |
|            | 43215          | 43215-KEBE-900 | PAD HANGER                           | PAD HANGER                           | 2       |     |
|            | 43351          | 43351-KHE7-E00 | DISK RR BRAKE                        | DISK RR BRAKE                        | 1       |     |
|            | 43352          | 43352-5H68-004 | SCREW BLEEDER                        | SCREW BLEEDER                        | 1       |     |
|            | 43353          | 43353-4A61-77A | CAP BLEEDER                          | CAP BLEEDER                          | 1       |     |
|            | 45107          | 45107-MEN5-007 | PISTON                               | PISTON                               | 2       |     |
|            | 45108          | 45108-MDL4-007 | PAD SPG                              | PAD SPG                              | 1       |     |
|            | 45109          | 45109-GBE2-007 | DUST SEAL                            | DUST SEAL                            | 2       |     |
|            | 45131-1F66     | 45131-1F66-017 | PIN BOLT                             | PIN BOLT                             | 1       |     |
|            | 45131-GBE2     | 45131-GBE2-007 | PIN BOLT A                           | PIN BOLT A                           | 1       |     |
|            | 45132          | 45132-1F66-017 | BUSH BOOT PIN                        | BUSH BOOT PIN                        | 1       |     |

F08

Rear Wheel

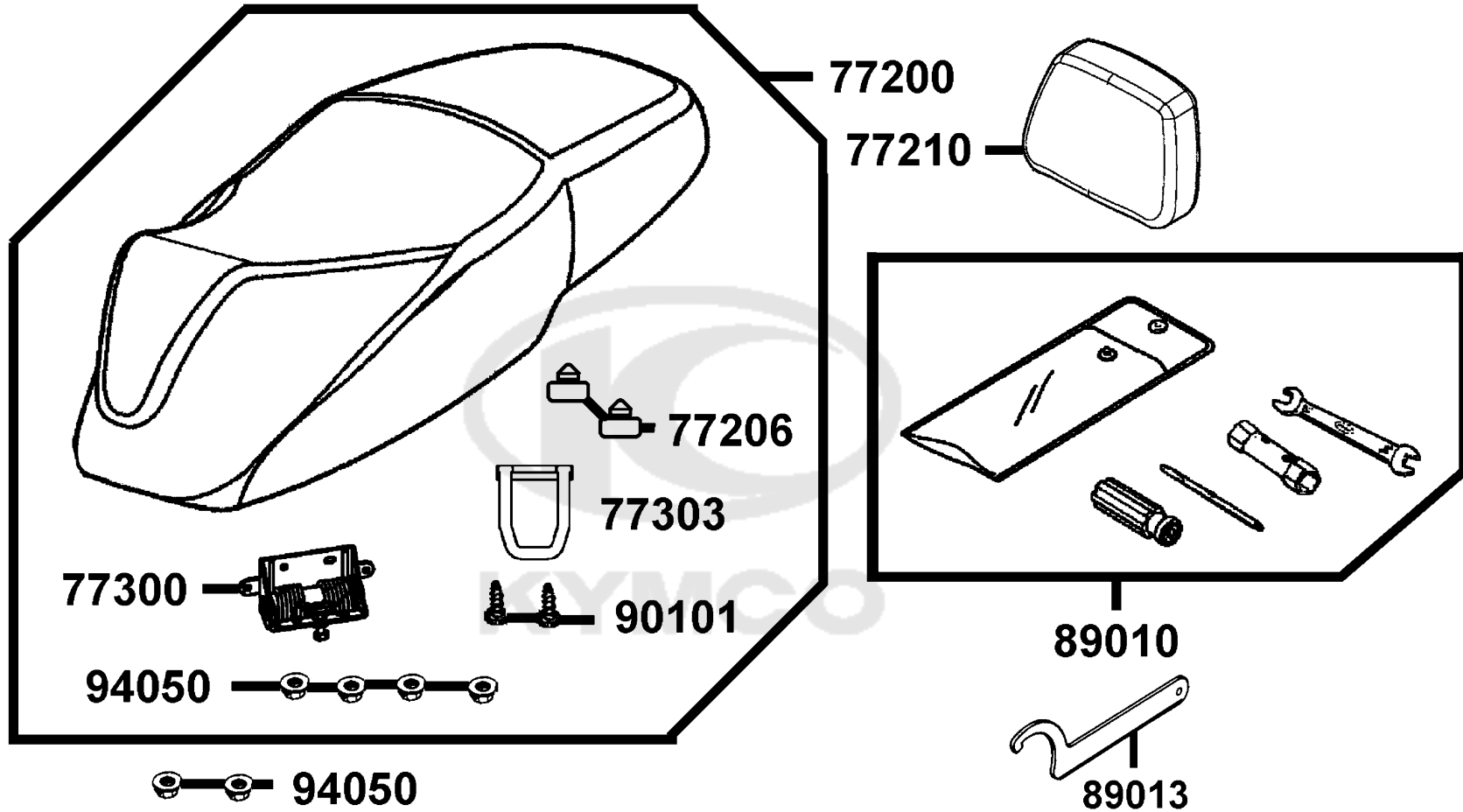


| Sales mark | Ref no     | Part no        | Description           | Reg description       | Regd no | F08 |
|------------|------------|----------------|-----------------------|-----------------------|---------|-----|
|            | 45133      | 45133-MCA3-007 | BOOT B                | BOOT B                | 1       |     |
|            | 45209      | 45209-GBE2-007 | SEAL PISTON           | SEAL PISTON           | 2       |     |
|            | 45215      | 45215-KECE-900 | PIN HANGER            | PIN HANGER            | 2       |     |
|            | 45216-1F66 | 45216-1F66-007 | WASHER WAVE           | WASHER WAVE           | 1       |     |
|            | 45216-KFW6 | 45216-KFW6-90A | TORQUE NUT            | TORQUE NUT            | 1       |     |
|            | 45531      | 45531-GAR1-951 | PLUG                  | PLUG                  | 1       |     |
|            | 90105      | 90105-KCR3-001 | BOLT FR DISK 8*24     | BOLT FR DISK 8*24     | 5       |     |
|            | 90131      | 90131-LEA5-E00 | BOLT FLANGE 8*35      | BOLT FLANGE 8*35      | 2       |     |
| #          | 90305      | 90305-KFW6-900 | NUT U FLANGE 16MM (B) | NUT U FLANGE 16MM (B) | 1       |     |

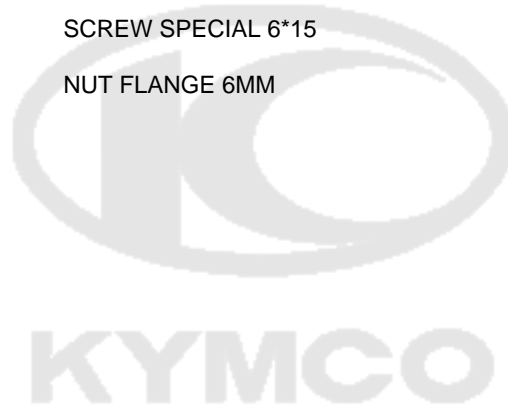


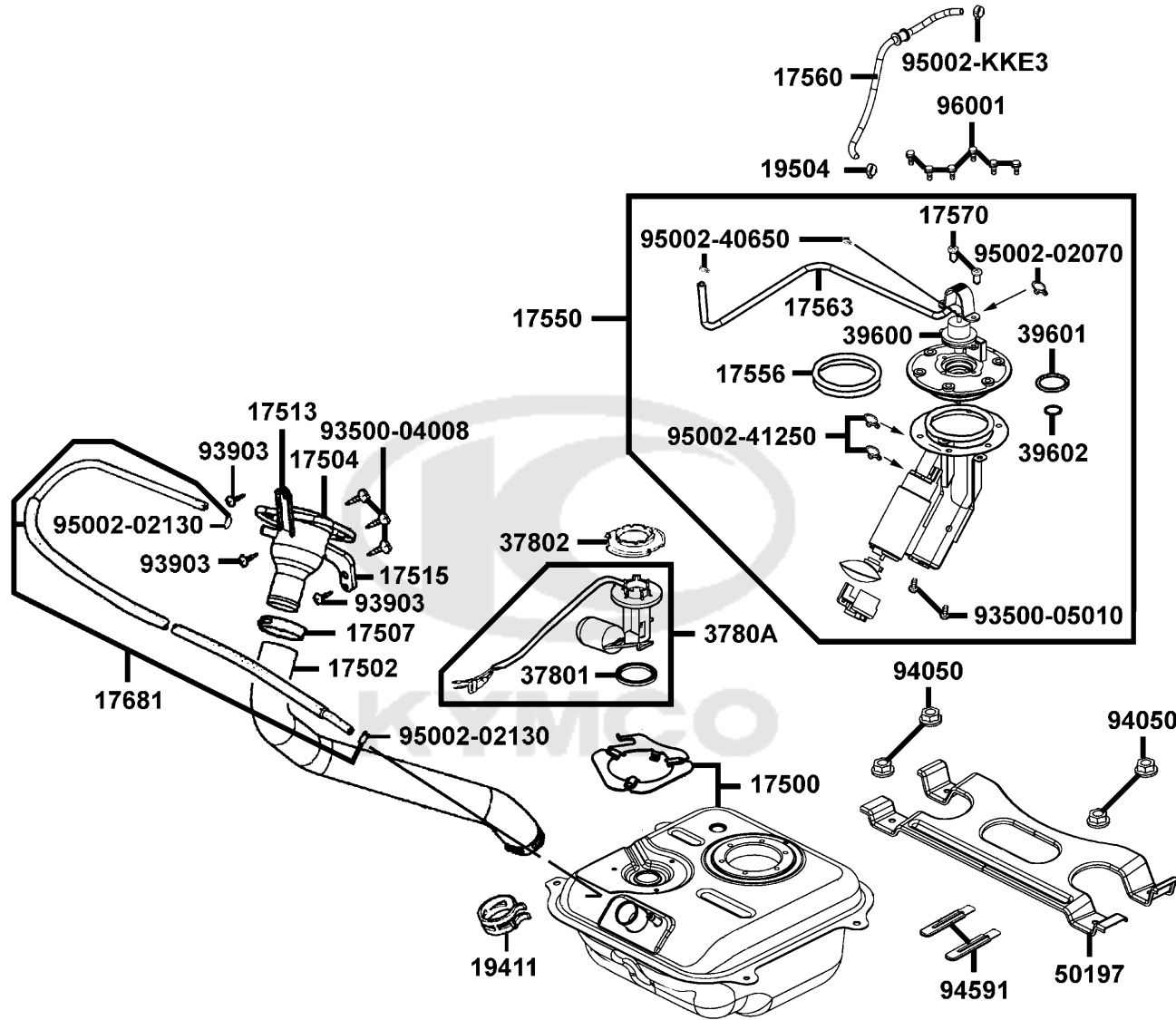
F09

Seat



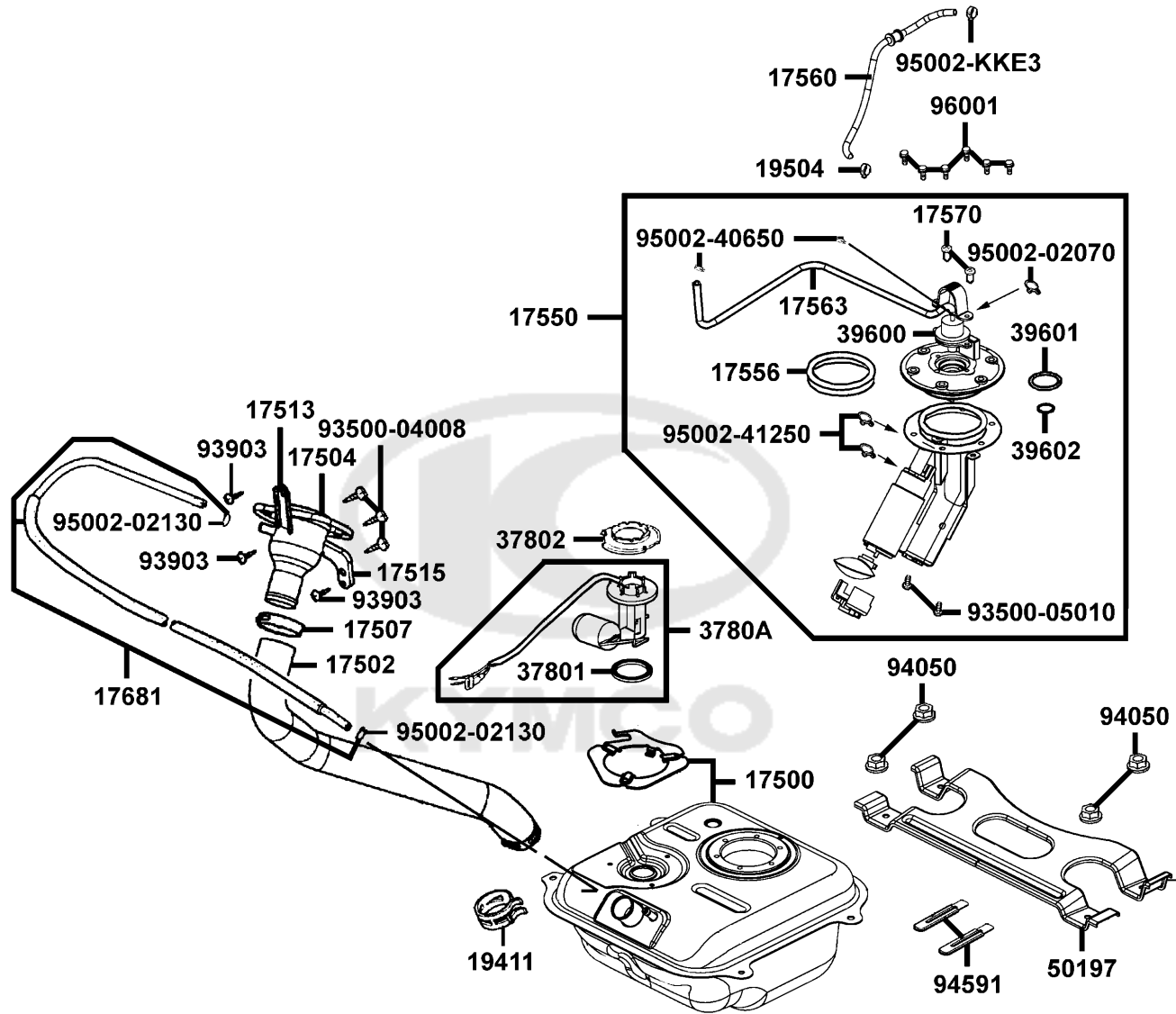
| Sales mark | Ref no | Part no        | Description           | Reg description       | Regd no | <b>F09</b> |
|------------|--------|----------------|-----------------------|-----------------------|---------|------------|
| **         | 77200  | 77200-LEA5-305 | REPLACEMENT ASSY SEAT | REPLACEMENT ASSY SEAT | 1       |            |
|            | 77206  | 77206-KEB7-900 | RUBBER SEAT CUSH      | RUBBER SEAT CUSH      | 2       |            |
| **         | 77210  | 77210-LEA5-E00 | SEAT ASSY BACK        | SEAT ASSY BACK        | 1       |            |
|            | 77300  | 77300-LEA5-E00 | HINGE ASSY SEAT       | HINGE ASSY SEAT       | 1       |            |
|            | 77303  | 77303-LEA5-E00 | HOOK SEAT LOCK        | HOOK SEAT LOCK        | 1       |            |
|            | 89010  | 89010-LEA5-E00 | TOOL SET              | TOOL SET              | 1       |            |
|            | 89013  | 89013-KFC8-E00 | ADJUSTER REAR CUSHION | ADJUSTER REAR CUSHION | 1       |            |
|            | 90101  | 90101-KGC4-E00 | SCREW SPECIAL 6*15    | SCREW SPECIAL 6*15    | 2       |            |
|            | 94050  | 94050-06080    | NUT FLANGE 6MM        | NUT FLANGE 6MM        | 6       |            |





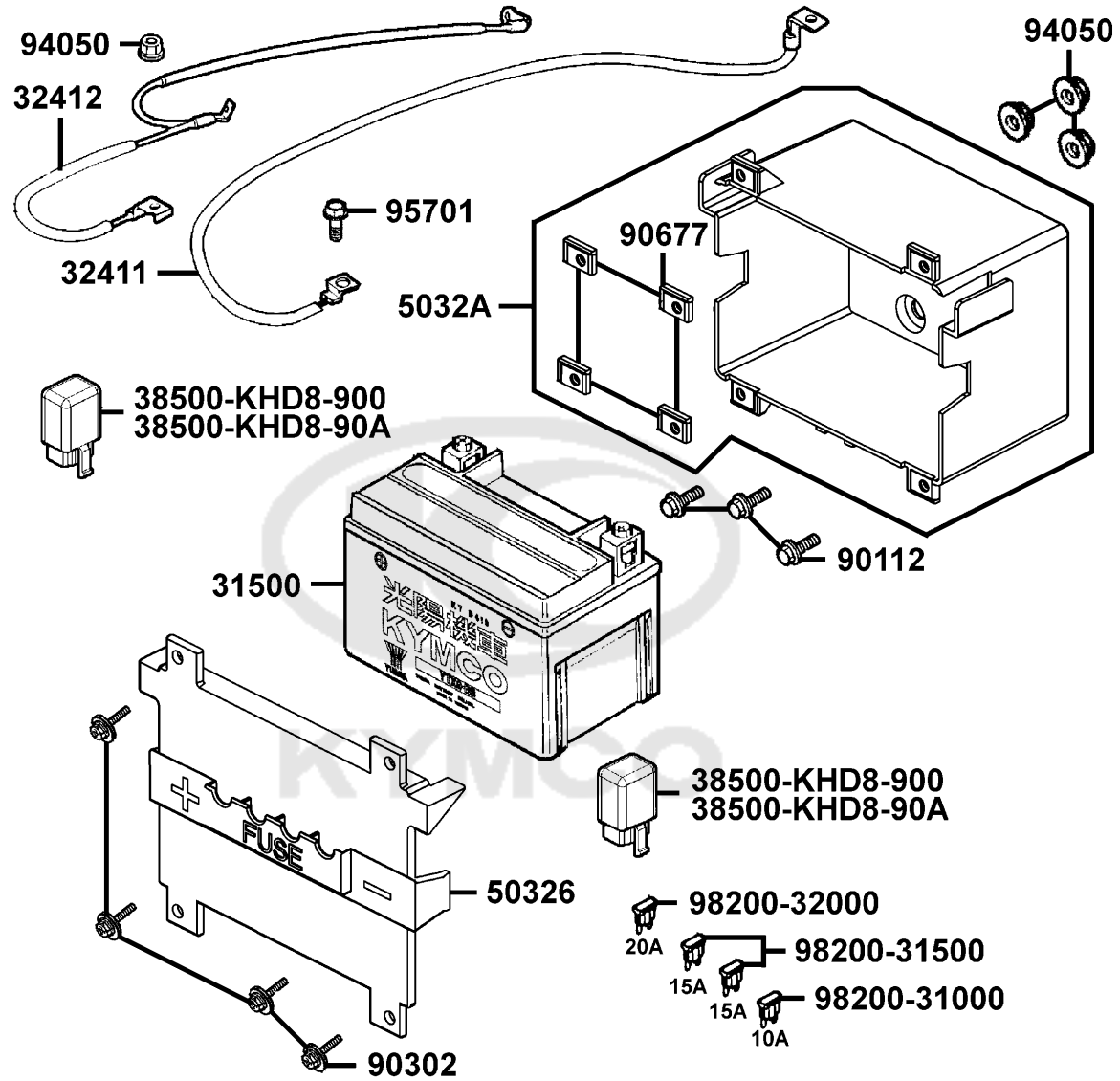


| Sales mark | Ref no | Part no        | Description        | Reg description    | Regd no | F10 |
|------------|--------|----------------|--------------------|--------------------|---------|-----|
|            | 17500  | 17500-LEA6-E00 | TANK COMP FUEL     | TANK COMP FUEL     | 1       |     |
|            | 17502  | 17502-LEA5-E00 | HOSE FUEL          | HOSE FUEL          | 1       |     |
|            | 17504  | 17504-LAB4-900 | FUEL FILLER        | FUEL FILLER        | 1       |     |
|            | 17507  | 17507-LAB4-900 | BAND FUEL HOSE     | BAND FUEL HOSE     | 1       |     |
|            | 17513  | 17513-LEA5-E00 | STAY A FUEL PIPE   | STAY A FUEL PIPE   | 1       |     |
|            | 17515  | 17515-LEA5-E00 | STAY B FUEL PIPE   | STAY B FUEL PIPE   | 1       |     |
|            | 17550  | 17550-LEA6-900 | FUEL PUMP ASSY     | FUEL PUMP ASSY     | 1       |     |
|            | 17556  | 17556-KKE3-900 | O RING             | O RING             | 1       |     |
|            | 17560  | 17560-LEA6-E00 | TUBE PUMP INJECTOR | TUBE PUMP INJECTOR | 1       |     |
|            | 17563  | 17563-KKE3-900 | TUBE FUEL RETURN   | TUBE FUEL RETURN   | 1       |     |
|            | 17570  | 17570-KKE3-900 | SCREW BOLT M 4*13  | SCREW BOLT M 4*13  | 2       |     |
|            | 17681  | 17681-LEA5-E00 | TUBE A FUEL TANK   | TUBE A FUEL TANK   | 1       |     |
|            | 19411  | 19411-KBCB-900 | CLIP HOSE          | CLIP HOSE          | 1       |     |
|            | 19504  | 19504-LBA2-E00 | CLAMP D 16.8       | CLAMP D 16.8       | 1       |     |
|            | 37801  | 37801-GGA7-701 | PACKING BASE       | PACKING BASE       | 1       |     |
|            | 37802  | 37802-GGA7-701 | RET FUEL UNIT      | RET FUEL UNIT      | 1       |     |
|            | 3780A  | 3780A-LEA5-E00 | FUEL UNIT ASSY     | FUEL UNIT ASSY     | 1       |     |
|            | 39600  | 39600-KKE3-800 | REGULATOR          | REGULATOR          | 1       |     |
|            | 39601  | 39601-KKE3-900 | O RING A           | O RING A           | 1       |     |
|            | 39602  | 39602-KKE3-900 | O RING B           | O RING B           | 1       |     |

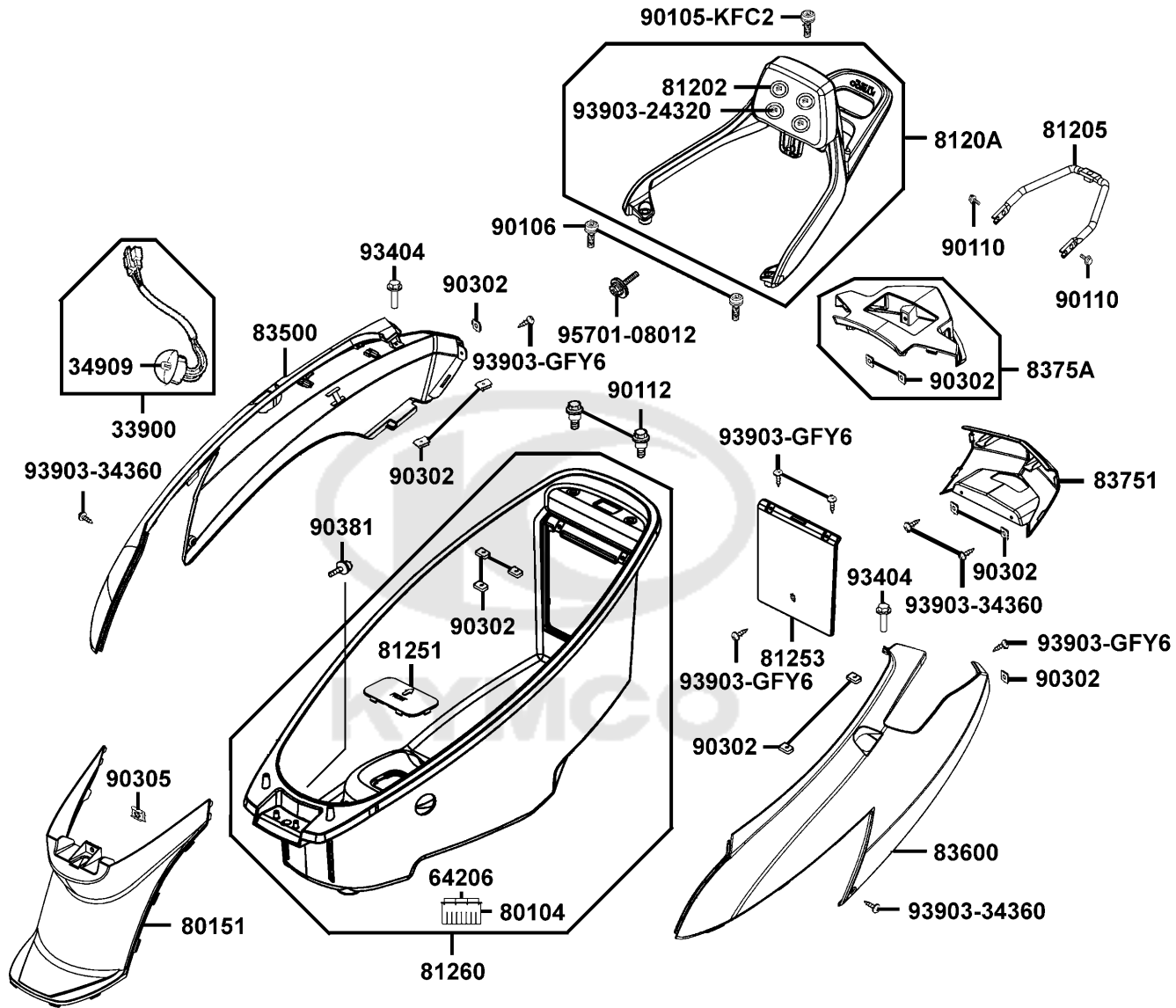


| Sales mark  | Ref no | Part no        | Description        | Reg description    | Regd no | <b>F10</b> |
|-------------|--------|----------------|--------------------|--------------------|---------|------------|
| 50197       |        | 50197-LEA5-E00 | STAY FLOOR         | STAY FLOOR         | 1       |            |
| 93500-04008 |        | 93500-04008-0H | SCREW PAN 4*8      | SCREW PAN 4*8      | 3       |            |
| 93500-05010 |        | 93500-05010-0H | SCREW PAN 5*10     | SCREW PAN 5*10     | 2       |            |
| 93903       |        | 93903-35360    | SCREW TAPPING 5*16 | SCREW TAPPING 5*16 | 3       |            |
| 94050       |        | 94050-06080    | NUT FLANGE 6MM     | NUT FLANGE 6MM     | 4       |            |
| 94591       |        | 94591-KFBF-900 | CLIP 2*70          | CLIP 2*70          | 2       |            |
| 95002-02070 |        | 95002-02070    | CLIP B7 TUBE       | CLIP B7 TUBE       | 1       |            |
| 95002-02130 |        | 95002-02130    | CLIP B 12.5 TURE   | CLIP B13 TUBE      | 2       |            |
| 95002-40650 |        | 95002-40650-08 | CLAMP D6.5 TUBE    | CLAMP D6.5 TUBE    | 2       |            |
| 95002-41250 |        | 95002-41250-08 | CLAMP D12.5 TUBE   | CLAMP D12.5 TUBE   | 2       |            |
| 95002-KKE3  |        | 95002-KKE3-900 | CLIP SPA 13        | CLIP SPA 13        | 1       |            |
| 96001       |        | 96001-06014-08 | BOLT FLANGE 6*14   | BOLT FLANGE 6*14   | 6       |            |

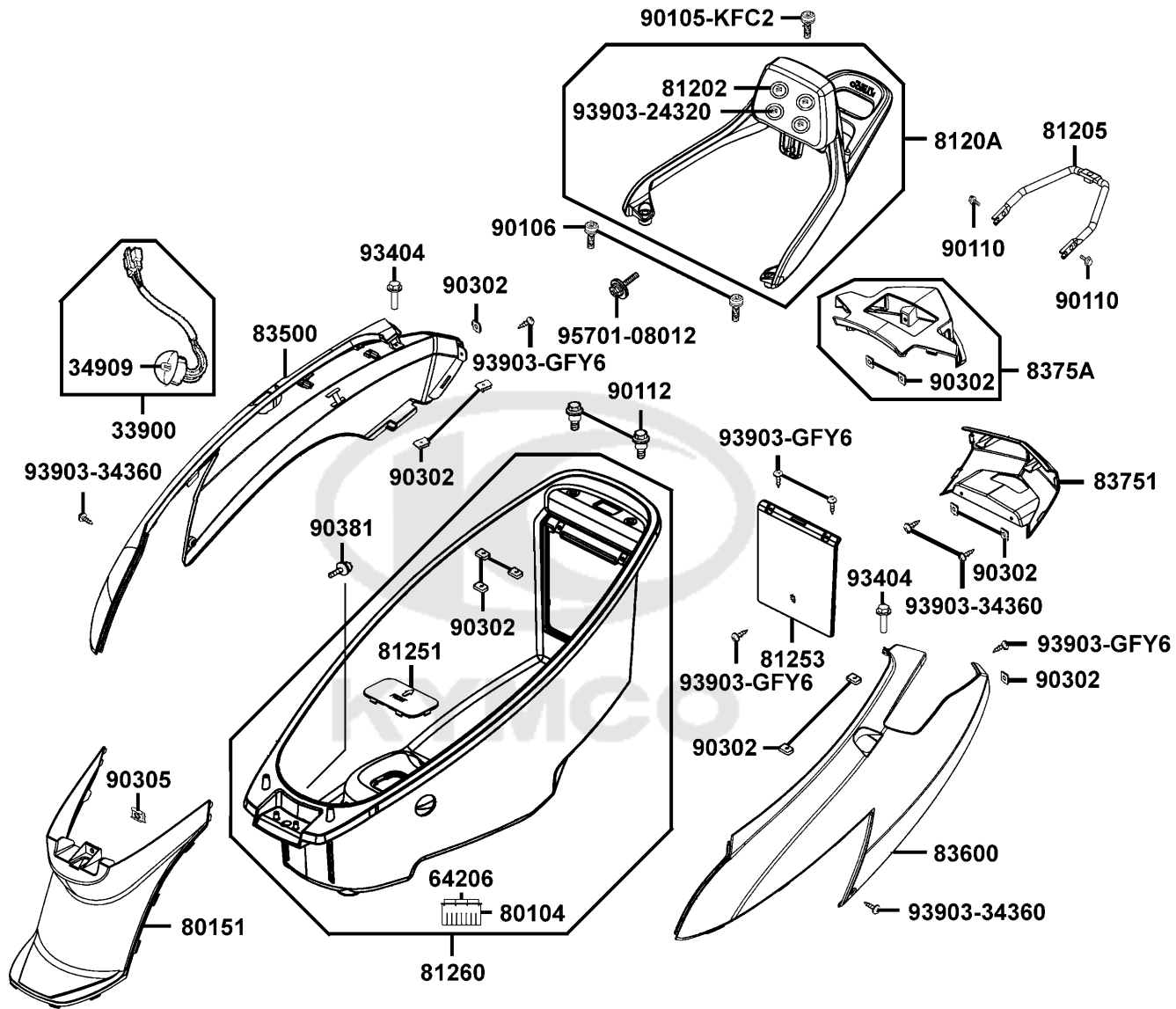
Battery



| Sales mark | Ref no         | Part no        | Description       | Reg description   | Regd no | F11 |
|------------|----------------|----------------|-------------------|-------------------|---------|-----|
|            | 31500          | 31500-LEA6-900 | BATTERY YT12A-BS  | BATTERY YT12A-BS  | 1       |     |
|            | 31500          | 31500-LEA6-90B | BATTERY 12A-BS    | BATTERY GT12A-BS  | 1       |     |
|            | 32411          | 32411-LEA5-E00 | CABLE BATTERY     | CABLE BATTERY     | 1       |     |
|            | 32412          | 32412-LEA5-E00 | CABLE EARTH       | CABLE EARTH       | 1       |     |
|            | 38500-KHD8-900 | 38500-KHD8-900 | RELAY ASSY LIGHT  | RELAY ASSY LIGHT  | 2       |     |
|            | 38500-KHD8-90A | 38500-KHD8-90A | RELAY ASSY LIGHT  | RELAY ASSY LIGHT  | 2       |     |
| **         | 50326          | 50326-LEA5-E00 | COVER BATTERY     | COVER BATTERY     | 1       |     |
|            | 5032A          | 5032A-LEA5-E00 | CASE ASSY BATTERY | CASE ASSY BATTERY | 1       |     |
|            | 90112          | 90112-KNBN-901 | BOLT FLANGE 6MM   | BOLT FLANGE 6MM   | 3       |     |
|            | 90302          | 90302-GFY6-940 | BOLT-WASH 5*16    | BOLT-WASH 5*16    | 4       |     |
|            | 90677          | 90677-GAR1-004 | NUT CLIP 5MM      | NUT CLIP 5MM      | 4       |     |
|            | 94050          | 94050-06080    | NUT FLANGE 6MM    | NUT FLANGE 6MM    | 4       |     |
|            | 95701          | 95701-06012-08 | BOLT FLANGE 6*12  | BOLT FLANGE 6*12  | 1       |     |
|            | 98200-31000    | 98200-31000    | BLADE FUSE 10A    | BLADE FUSE 10A    | 1       |     |
|            | 98200-31500    | 98200-31500    | BLADE FUSE 15A    | BLADE FUSE 15A    | 2       |     |
|            | 98200-32000    | 98200-32000    | BLADE FUSE 20A    | BLADE FUSE 20A    | 1       |     |



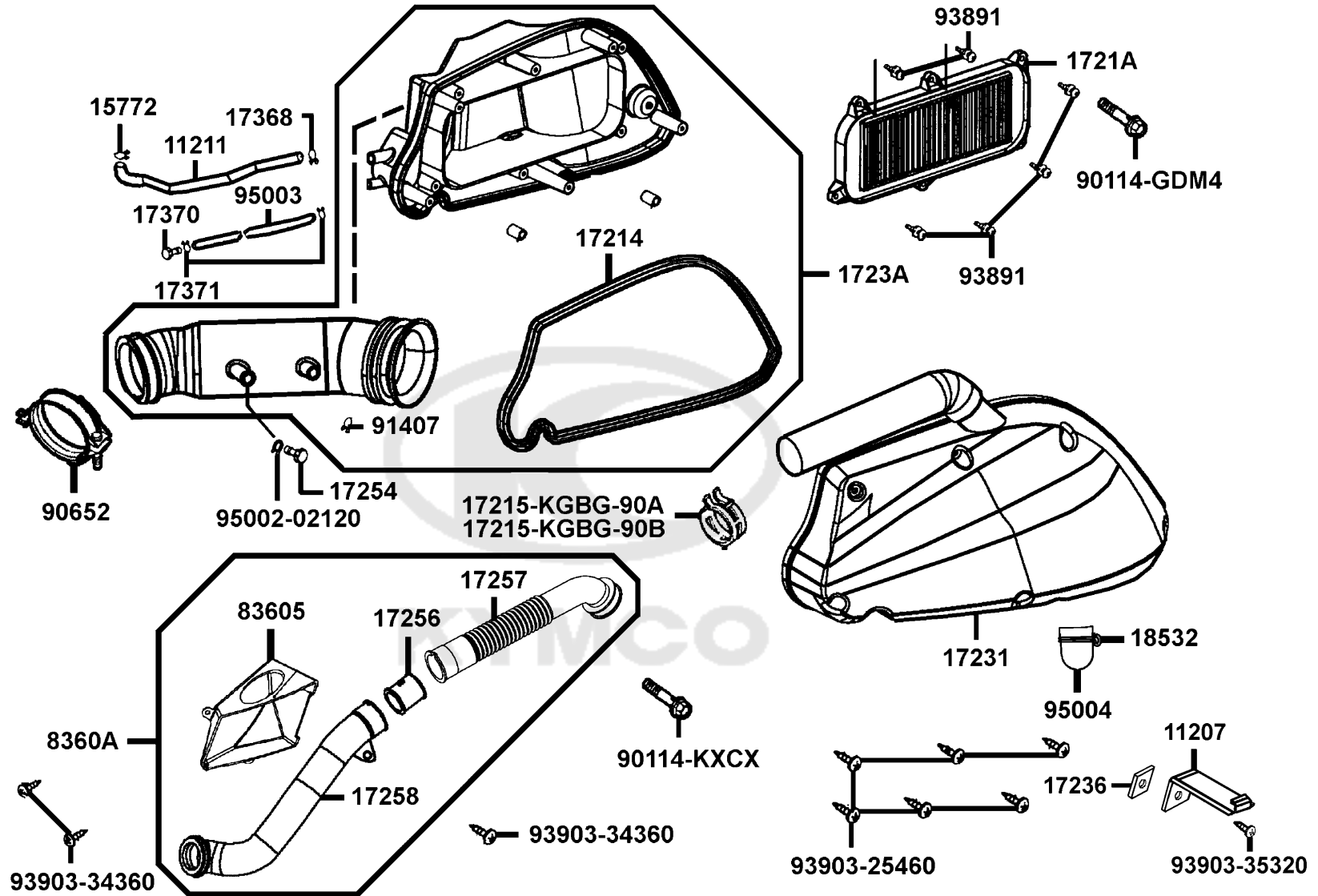
| Sales mark | Ref no | Part no        | Description            | Reg description        | Regd no | F12 |
|------------|--------|----------------|------------------------|------------------------|---------|-----|
|            | 33900  | 33900-KFBF-900 | LIGHT ASSY LUGGAGE BOX | LIGHT ASSY LUGGAGE BOX | 1       |     |
|            | 34909  | 34909-KFBF-900 | BULB WEDGE BASE        | BULB WEDGE BASE        | 1       |     |
|            | 64206  | 64206-MLJ0-001 | NUT SPEED 4MM          | NUT SPEED 4MM          | 4       |     |
|            | 80104  | 80104-LBA2-E00 | PLATE C SPLASH GUARD   | PLATE C SPLASH GUARD   | 1       |     |
| **         | 80151  | 80151-LEA5-E00 | COVER CENTER           | COVER CENTER           | 1       |     |
|            | 81202  | 81202-KKC4-900 | UNBRELLALIKE CLASP     | UNBRELLALIKE CLASP     | 4       |     |
| **         | 81205  | 81205-LEA5-E00 | BAR-RR CARRIER         | BAR-RR CARRIER         | 1       |     |
| **         | 8120A  | 8120A-LEA5-E00 | CARRIER ASSY RR        | CARRIER ASSY RR        | 1       |     |
|            | 81251  | 81251-LAB4-900 | LID CARB MAINT         | LID CARB MAINT         | 1       |     |
| **         | 81253  | 81253-LEA5-E00 | COVER BATTERY LUGGAGE  | COVER BATTERY LUGGAGE  | 1       |     |
|            | 81260  | 81260-LEA6-E00 | BOX ASSY LUGGAGE       | BOX ASSY LUGGAGE       | 1       |     |
| **         | 83500  | 83500-LEA5-E00 | COVER R BODY           | COVER R BODY           | 1       |     |
| **         | 83600  | 83600-LEA5-E00 | COVER L BODY           | COVER L BODY           | 1       |     |
| **         | 83751  | 83751-LEA5-E00 | MOLDING RR CENTER      | MOLDING RR CENTER      | 1       |     |
| **         | 8375A  | 8375A-LEA5-E00 | COVER RR CENTER        | COVER RR CENTER        | 1       |     |
|            | 90105  | 90105-KFC2-900 | BOLT WASH 8*32         | BOLT WASH 8*32         | 1       |     |
| #          | 90106  | 90106-KFC2-900 | BOLT WASH 8MM          | BOLT WASH 8MM          | 2       |     |
|            | 90110  | 90110-KED9-900 | SCREW PAN 6*18         | SCREW PAN 6*18         | 2       |     |
|            | 90112  | 90112-KNBN-901 | BOLT FLANGE 6MM        | BOLT FLANGE 6MM        | 2       |     |
|            | 90302  | 90302-SDA4-004 | NUT SPRING 4MM         | NUT SPRING 4MM         | 13      |     |



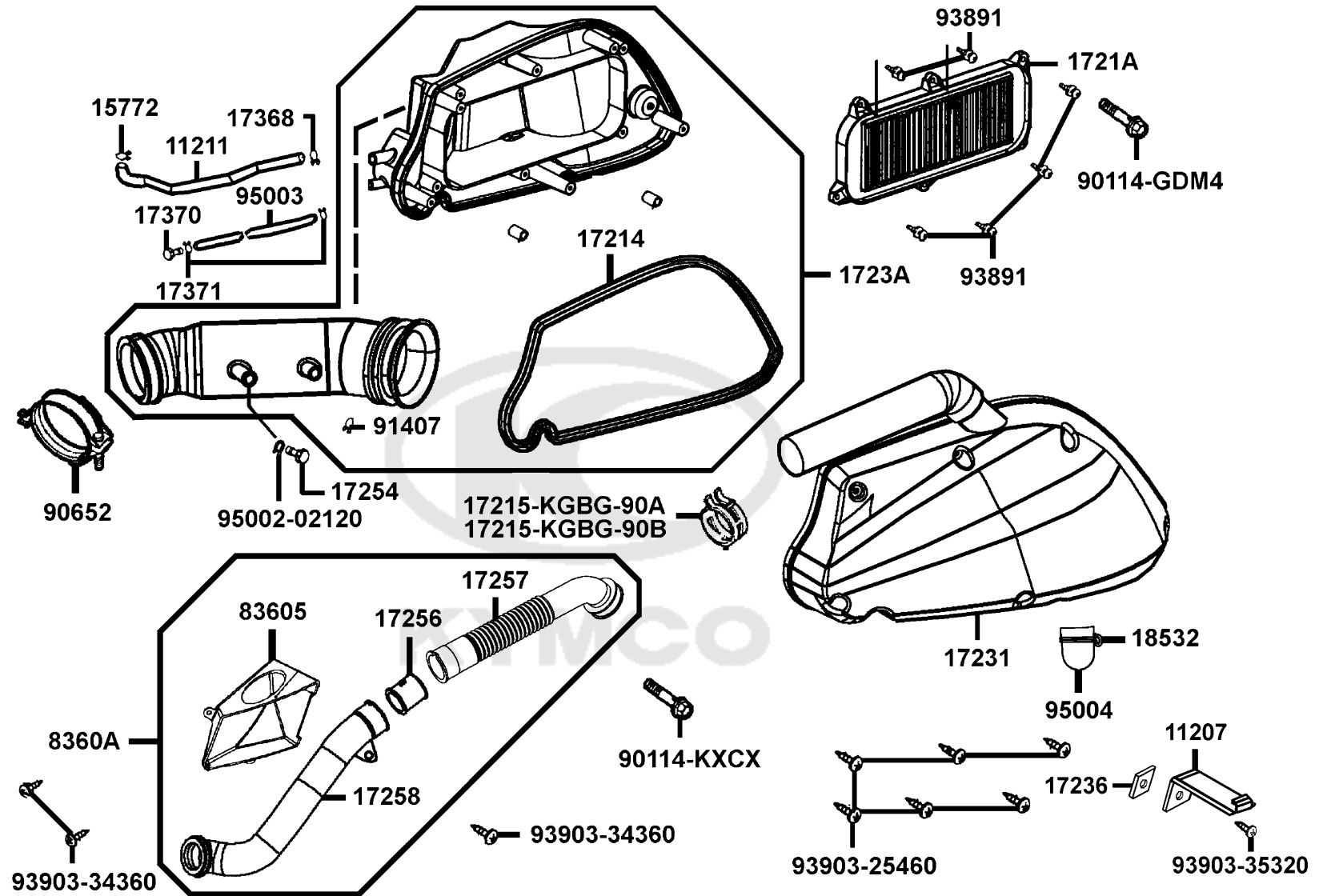


| Sales mark  | Ref no | Part no        | Description        | Reg description    | Regd no | <b>F12</b> |
|-------------|--------|----------------|--------------------|--------------------|---------|------------|
| 90305       |        | 90305-GHK8-001 | NUT CLIP 6MM       | NUT CLIP 6MM       | 1       |            |
| 90381       |        | 90381-GEZ5-001 | SCREW SPECIAL 6*17 | SCREW SPECIAL 6*17 | 1       |            |
| 93404       |        | 93404-06016-06 | BOLT WASHER 6*16   | BOLT WASHER 6*16   | 2       |            |
| 93903-24320 |        | 93903-24320    | SCREW TAPPING 4*12 | SCREW TAPPING 4*12 | 4       |            |
| 93903-34360 |        | 93903-34360    | SCREW TAPPING 4*12 | SCREW TAPPING 4*12 | 4       |            |
| 93903-GFY6  |        | 93903-GFY6-900 | SCREW TAPPING 4*14 | SCREW TAPPING 4*14 | 5       |            |
| 95701       |        | 95701-08012-06 | BOLT FLANGE 8*12   | BOLT FLANGE 8*12   | 1       |            |

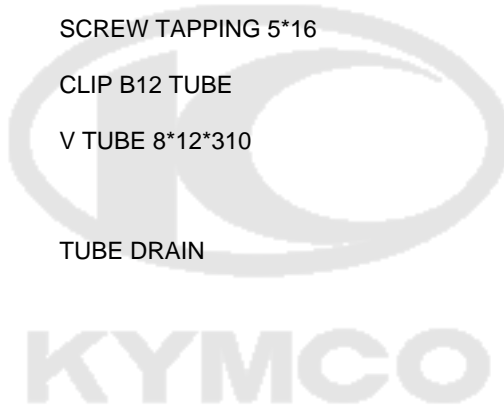




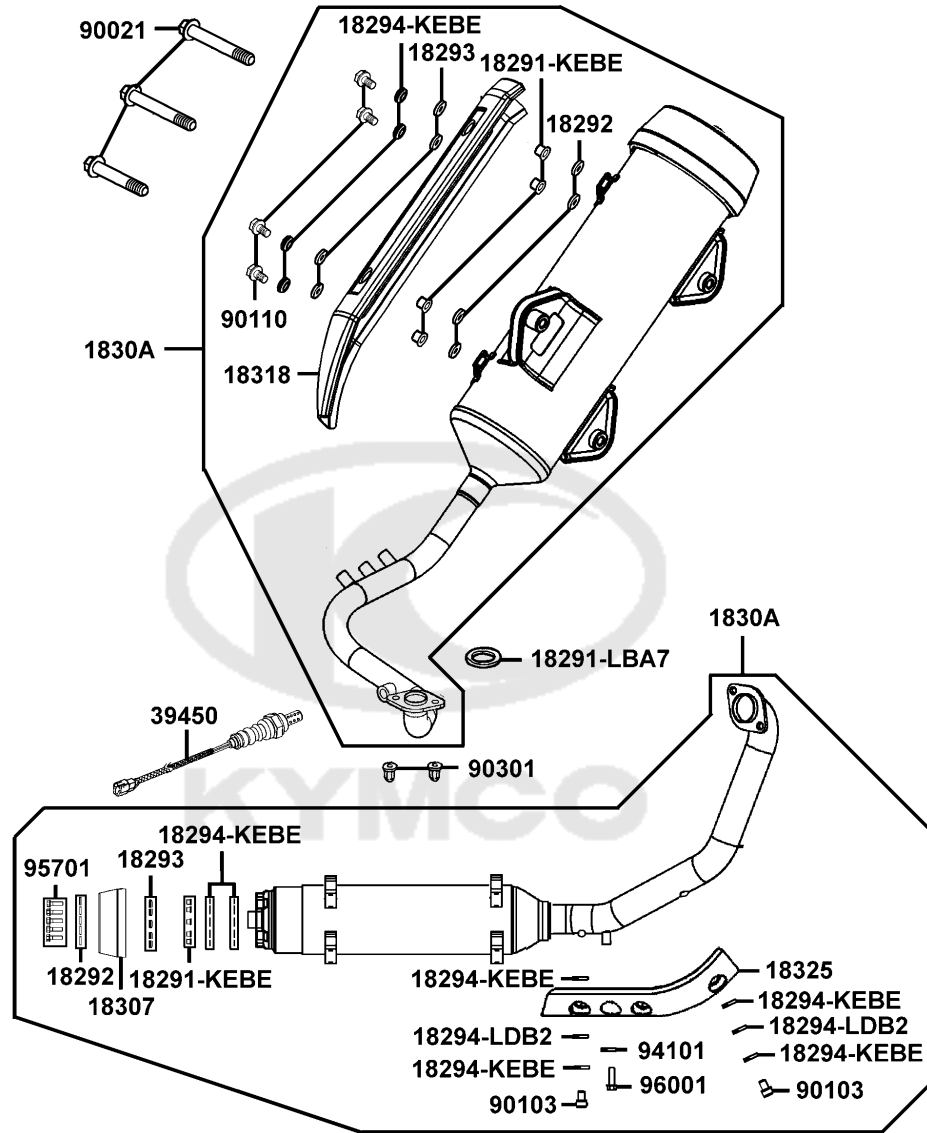
| Sales mark | Ref no         | Part no        | Description           | Reg description       | Regd no | F13 |
|------------|----------------|----------------|-----------------------|-----------------------|---------|-----|
|            | 11207          | 11207-LEA5-E00 | STAY RR FENDER        | STAY RR FENDER        | 1       |     |
|            | 11211          | 11211-LEA5-E00 | TUBE MISSION BREATHER | TUBE MISSION BREATHER | 1       |     |
|            | 15772          | 15772-5L00-013 | CLIP B14.5 TUBE       | CLIP B14.5 TUBE       | 1       |     |
|            | 17214          | 17214-KKC3-900 | SEAL AIR/C COVER      | SEAL AIR/C COVER      | 1       |     |
|            | 17215-KGBG-90A | 17215-KGBG-90A | CLIP ASSY A/C DUCT    | CLIP ASSY A/C DUCT    | 1       |     |
|            | 17215-KGBG-90B | 17215-KGBG-90B | CLIP ASSY AIR/C DUCT  | CLIP ASSY AIR/C DUCT  | 1       |     |
|            | 1721A          | 1721A-KKC3-900 | ELEMENT ASSY AIR/C    | ELEMENT ASSY AIR/C    | 1       |     |
|            | 17231          | 17231-KKC3-900 | COVER COMP AIR/C      | COVER COMP AIR/C      | 1       |     |
|            | 17236          | 17236-LEA5-900 | BRACKET NUT           | BRACKET NUT           | 1       |     |
|            | 1723A          | 1723A-LEA6-900 | CASE ASSY AIR/C       | CASE ASSY AIR/C       | 1       |     |
|            | 17254          | 17254-KACA-P00 | JOINT PURGE TUBE      | PLUG AIR/C CONN TUBE  | 1       |     |
|            | 17256          | 17256-KKC4-900 | JOINT AIR/C           | JOINT AIR/C           | 1       |     |
|            | 17257          | 17257-LEA5-E00 | DUCT AIR/C COVER      | DUCT AIR/C COVER      | 1       |     |
|            | 17258          | 17258-LEA5-E00 | DUCT AIR/C CHAMPER    | DUCT AIR/C CHAMPER    | 1       |     |
|            | 17368          | 17368-KDB4-670 | CLIP B 14.5 TUBE      | CLIP B 14.5 TUBE      | 1       |     |
|            | 17370          | 17370-4K19-701 | PLUG BREATHER TUBE    | PLUG BREATHER TUBE    | 1       |     |
|            | 17371          | 17371-1D74-671 | CLIP BREATHER TUBE    | PLUG BREATHER TUBE    | 2       |     |
|            | 18532          | 18532-LEA6-E00 | CLIP AIR HOSE 25.4    | CLIP AIR HOSE 25.4    | 1       |     |
|            | 83605          | 83605-LEA5-E00 | CHAMPER AIR/C         | CHAMPER AIR/C         | 1       |     |
|            | 8360A          | 8360A-LEA5-E00 | CHAMBER ASSY AIR/C    | CHAMBER ASSY AIR/C    | 1       |     |



| Sales mark  | Ref no | Part no        | Description                   | Reg description               | Regd no | <b>F13</b> |
|-------------|--------|----------------|-------------------------------|-------------------------------|---------|------------|
| 90114-GDM4  |        | 90114-GDM4-011 | BOLT FLANGE SH 6*28           | BOLT FLANGE SH 6*28           | 1       |            |
| 90114-KXCX  |        | 90114-KXCX-900 | BOLT FLANGE SH 5*20           | BOLT FLANGE SH 5*20           | 1       |            |
| 90652       |        | 90652-GFY6-901 | BAND 49 AIR/C CONNECTING TUBE | BAND 49 AIR/C CONNECTING TUBE | 1       |            |
| 91407       |        | 91407-SGA7-004 | CLAMP 17 FUSE HOSE            | CLAMP 17 FUSE HOSE            | 1       |            |
| 93891       |        | 93891-05016-08 | SCREW WASHER 5*16             | SCREW WASHER 5*16             | 6       |            |
| 93903-25460 |        | 93903-25460    | SCREW TAPPING 4*12            | SCREW TAPPING 4*12            | 6       |            |
| 93903-34360 |        | 93903-34360    | SCREW TAPPING 4*12            | SCREW TAPPING 4*12            | 3       |            |
| 93903-35320 |        | 93903-35320    | SCREW TAPPING 5*16            | SCREW TAPPING 5*16            | 1       |            |
| 95002-02120 |        | 95002-02120    | CLIP B12 TUBE                 | CLIP B12 TUBE                 | 1       |            |
| 95003       |        | 95003-23031-60 | V TUBE 8*12*310               | V TUBE 8*12*310               | 1       |            |
| 95004       |        | 95004-LEA6-E00 | TUBE DRAIN                    | TUBE DRAIN                    | 1       |            |



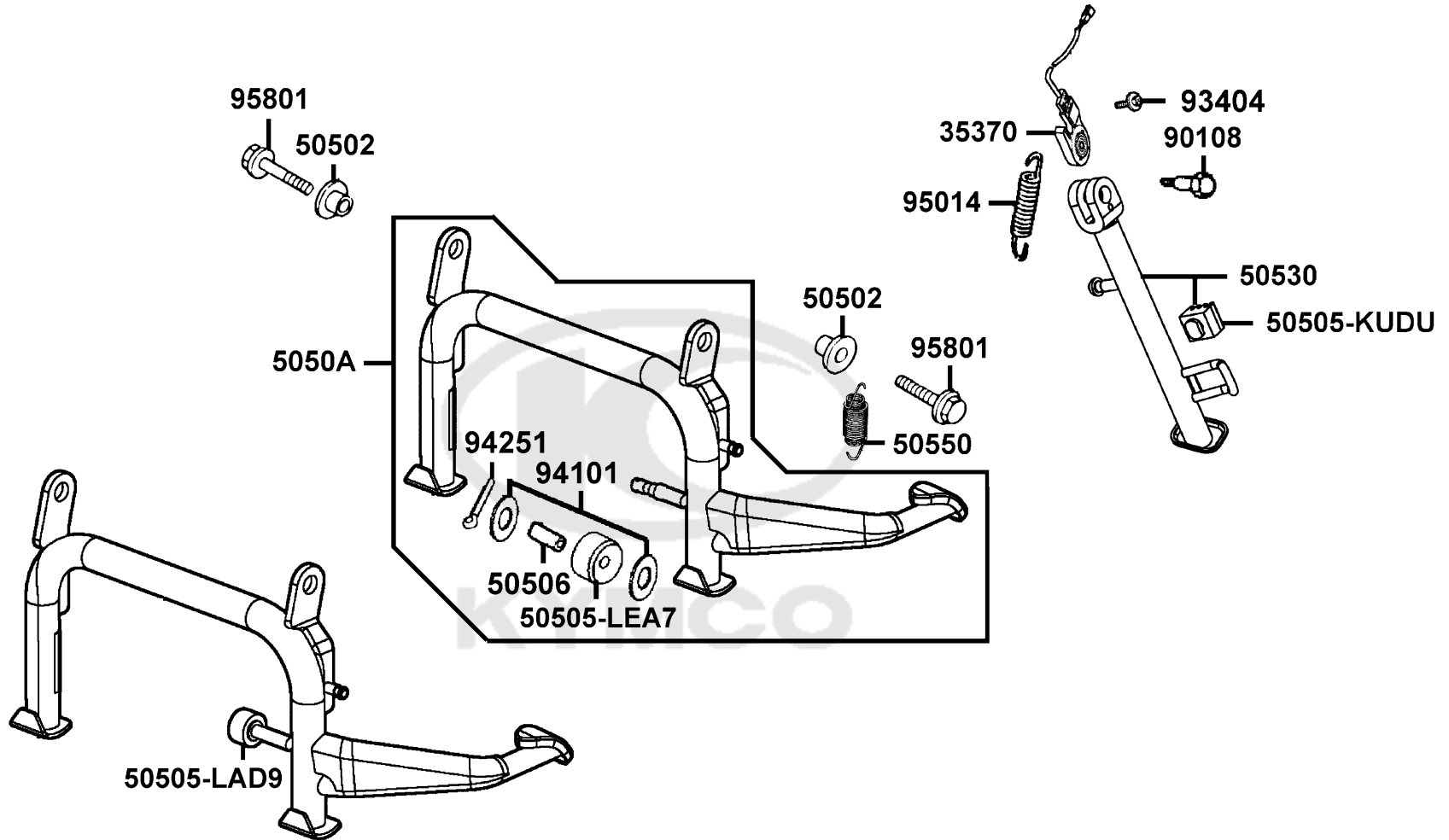
Exhaust Muffler



| Sales mark | Ref no     | Part no        | Description               | Reg description           | Regd no | <b>F14</b> |
|------------|------------|----------------|---------------------------|---------------------------|---------|------------|
|            | 18291-KEBE | 18291-KEBE-900 | COLLAR                    | COLLAR                    | 9       |            |
|            | 18291-LBA7 | 18291-LBA7-900 | GASKET EXH PIPE           | GASKET EXH PIPE           | 1       |            |
|            | 18292      | 18292-KEBE-900 | PACKING PROTECTOR         | PACKING PROTECTOR         | 9       |            |
|            | 18293      | 18293-KEBE-900 | RUBBER PKG PROTR          | RUBBER PKG PROTR          | 9       |            |
|            | 18294-KEBE | 18294-KEBE-900 | PACKING PROTECTOR         | PACKING PROTECTOR         | 18      |            |
|            | 18294-LDB2 | 18294-LDB2-900 | PACKING INNER PROTECTOR   | PACKING INNER PROTECTOR   | 2       |            |
| **         | 18307      | 18307-LDB2-E00 | TAIL CAP MUFFLER          | TAIL CAP MUFFLER          | 1       |            |
| **         | 1830A      | 1830A-LEA6-E01 | MUFFLER ASSY              | MUFFLER ASSY              | 1       |            |
| **         | 18318      | 18318-LEA5-E00 | PROTECTOR MUFFLER         | PROTECTOR MUFFLER         | 1       |            |
|            | 18325      | 18325-LEA5-E00 | PROTECTOR EXH PIPE        | PROTECTOR EXH PIPE        | 1       |            |
|            | 39450      | 39450-LEA6-800 | O2 SENSOR                 | O2 SENSOR                 | 1       |            |
|            | 90021      | 90021-GFY6-900 | BOLT WASHER COMP          | BOLT WASHER COMP          | 3       |            |
|            | 90103      | 90103-LEA5-E00 | SCREW WASHER SPECIAL 6*16 | SCREW WASHER SPECIAL 6*16 | 2       |            |
|            | 90110      | 90110-KEBE-900 | SCREW SPECIAL 6*22        | SCREW SPECIAL 6*22        | 4       |            |
|            | 90301      | 90301-GFY6-901 | NUT (HEX) CAP 8MM         | NUT (HEX) CAP 8MM         | 2       |            |
|            | 94101      | 94101-06700    | WASHER PLAIN 6MM          | WASHER PLAIN 6MM          | 1       |            |
|            | 95701      | 95701-06022-06 | BOLT FLANGE 6*22          | BOLT FLANGE 6*22          | 5       |            |
|            | 96001      | 96001-06008-07 | BOLT FLANGE SH 6*8        | BOLT FLANGE SH 6*8 (K)    | 1       |            |

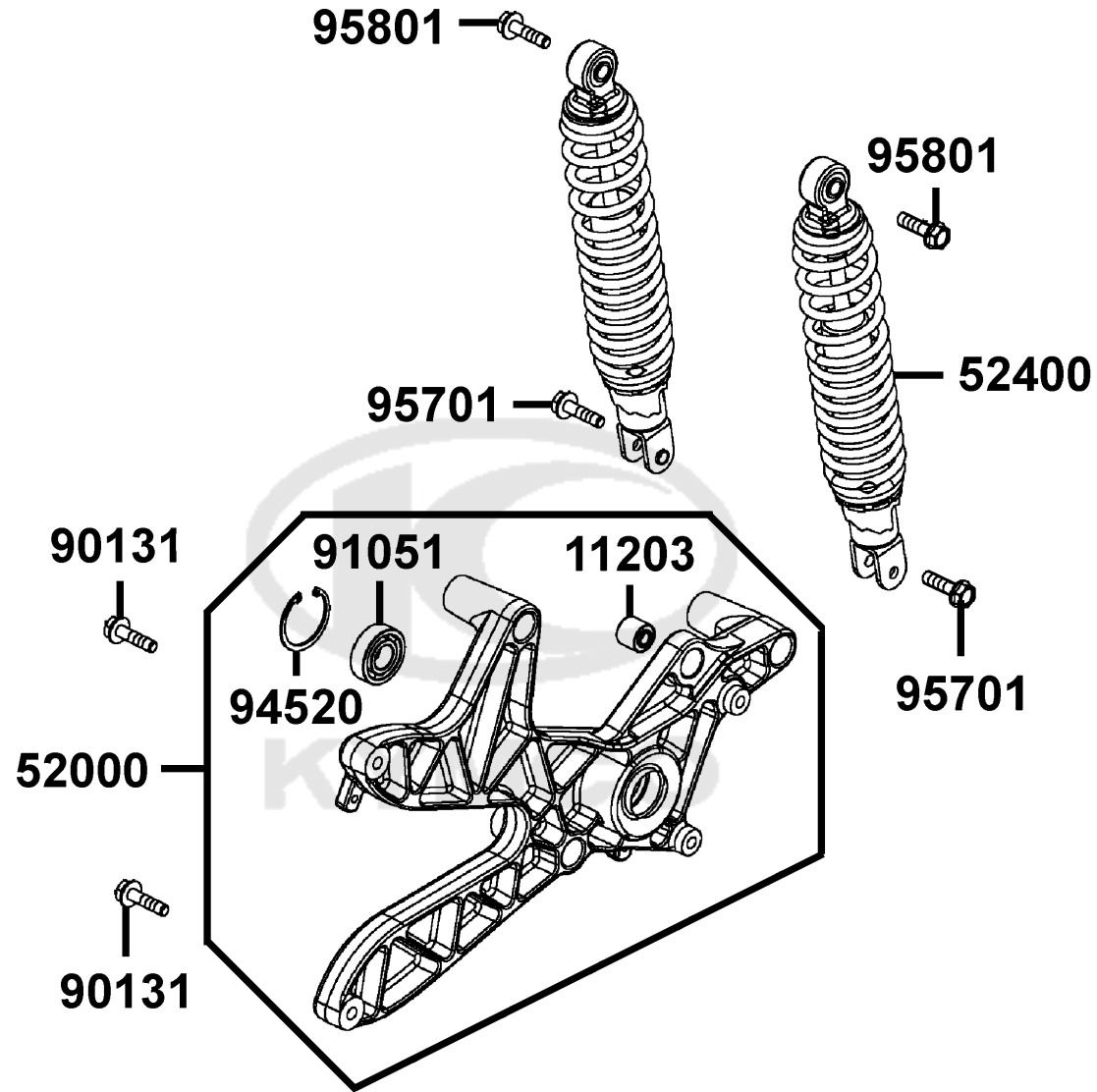
F15

StandKick Starter Arm





| Sales mark | Ref no     | Part no        | Description            | Reg description        | Regd no | F15 |
|------------|------------|----------------|------------------------|------------------------|---------|-----|
|            | 35370      | 35370-KEC8-E00 | SW UNIT SIDE STAND     | SW UNIT SIDE STAND     | 1       |     |
|            | 50502      | 50502-GFY6-901 | COLLAR MAIN STAND      | COLLAR MAIN STAND      | 2       |     |
|            | 50505-KUDU | 50505-KUDU-900 | STOPPER RUBBER         | STOPPER RUBBER         | 1       |     |
| #          | 50505-LAD9 | 50505-LAD9-900 | STOPPER RUBBER         | STOPPER RUBBER         | 1       |     |
| #          | 50505-LEA7 | 50505-LEA7-E00 | STOPPER RUBBER         | STOPPER RUBBER         | 1       |     |
|            | 50506      | 50506-KHE7-E00 | COLLAR STOPPER RUBBER  | COLLAR STOPPER RUBBER  | 1       |     |
|            | 5050A      | 5050A-LEA5-E00 | STAND ASSY MAIN        | STAND ASSY MAIN        | 1       |     |
|            | 50530      | 50530-LEA5-E00 | BAR SIDE STAND         | BAR SIDE STAND         | 1       |     |
|            | 50550      | 50550-KEB7-E00 | SPG ASSY MAIN STAND    | SPG ASSY MAIN STAND    | 1       |     |
|            | 90108      | 90108-KKC4-900 | SCREW SIDE STAND PIVOT | SCREW SIDE STAND PIVOT | 1       |     |
|            | 93404      | 93404-06016-06 | BOLT WASHER 6*16       | BOLT WASHER 6*16       | 1       |     |
|            | 94101      | 94101-08700    | WASHER PLAIN 8MM       | WASHER PLAIN 8MM       | 2       |     |
|            | 94251      | 94251-08400    | PIN LOCK 8MM           | PIN LOCK 8MM           | 1       |     |
|            | 95014      | 95014-72204    | SPG B1 SIDE STAND      | SPG B1 SIDE STAND      | 1       |     |
|            | 95801      | 95801-10025-08 | BOLT FLANGE 10*25      | BOLT FLANGE 10*25 (C)  | 2       |     |

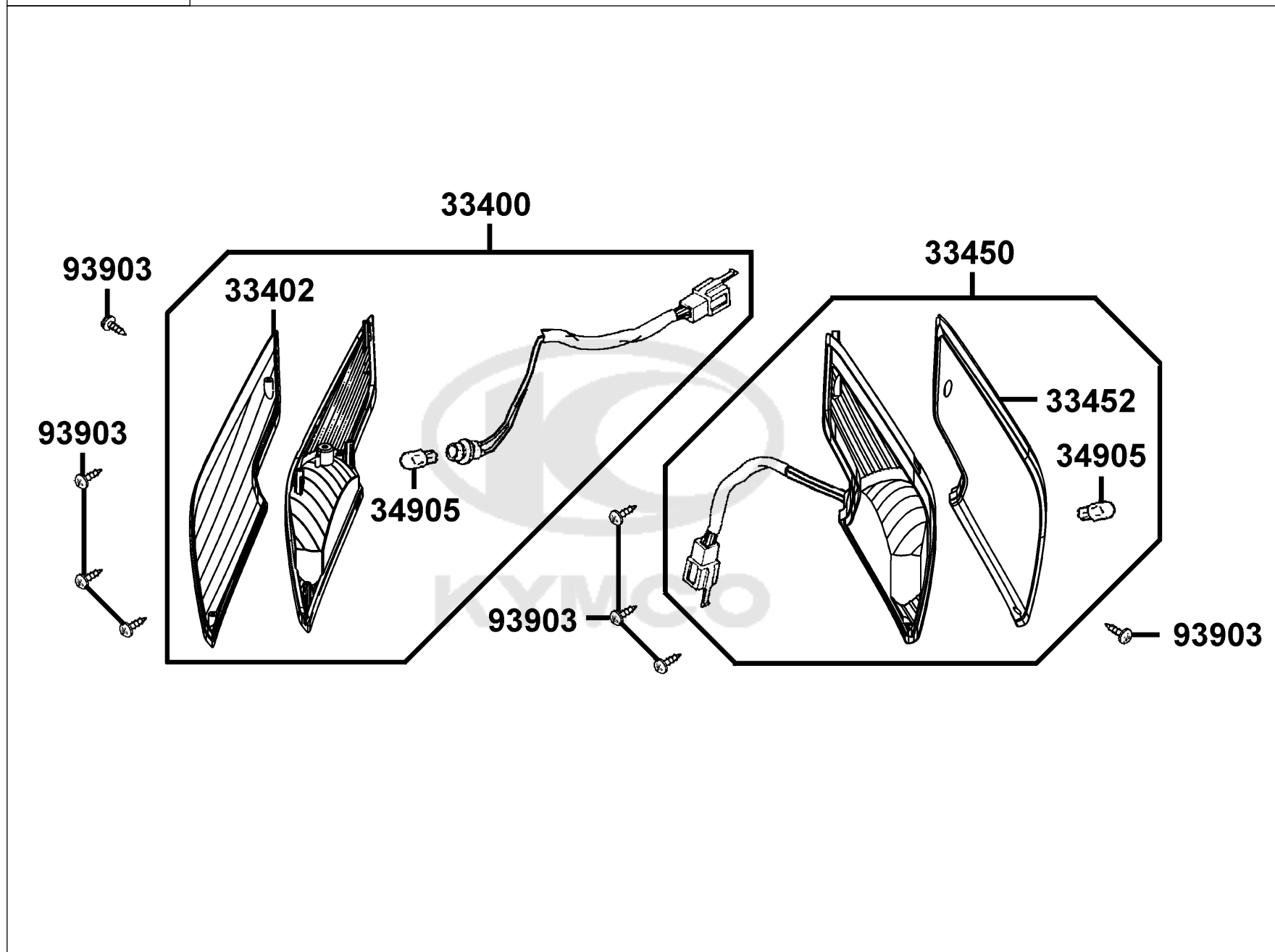


| Sales mark | Ref no | Part no        | Description                    | Reg description                | Regd no | <b>F16</b> |
|------------|--------|----------------|--------------------------------|--------------------------------|---------|------------|
|            | 11203  | 11203-GGC7-301 | UNDER RUBBER BUSH REAR CUSHION | UNDER RUBBER BUSH REAR CUSHION | 1       |            |
| **         | 52000  | 52000-LEA5-E00 | FORK ASSY REAR                 | FORK ASSY REAR                 | 1       |            |
| **         | 52400  | 52400-LEA5-E00 | CUSHION ASSY R RR              | CUSHION ASSY R RR              | 2       |            |
|            | 90131  | 90131-KFAF-900 | BOLT FLANGE 8*42               | BOLT FLANGE 8*42               | 2       |            |
|            | 91051  | 91051-KFBF-901 | BRG BALL RAKIAL 6203LLU        | BRG BALL RAKIAL 6203LLU        | 1       |            |
|            | 94520  | 94520-40000    | CIR CLIP IN 40                 | CIR CLIP IN 40                 | 1       |            |
|            | 95701  | 95701-08030-08 | BOLT FLANGE 8*30               | BOLT FLANGE 8*30 (C)           | 2       |            |
|            | 95801  | 95801-10035-08 | BOLT FLANGE 10*35              | BOLT FLANGE10*35               | 2       |            |



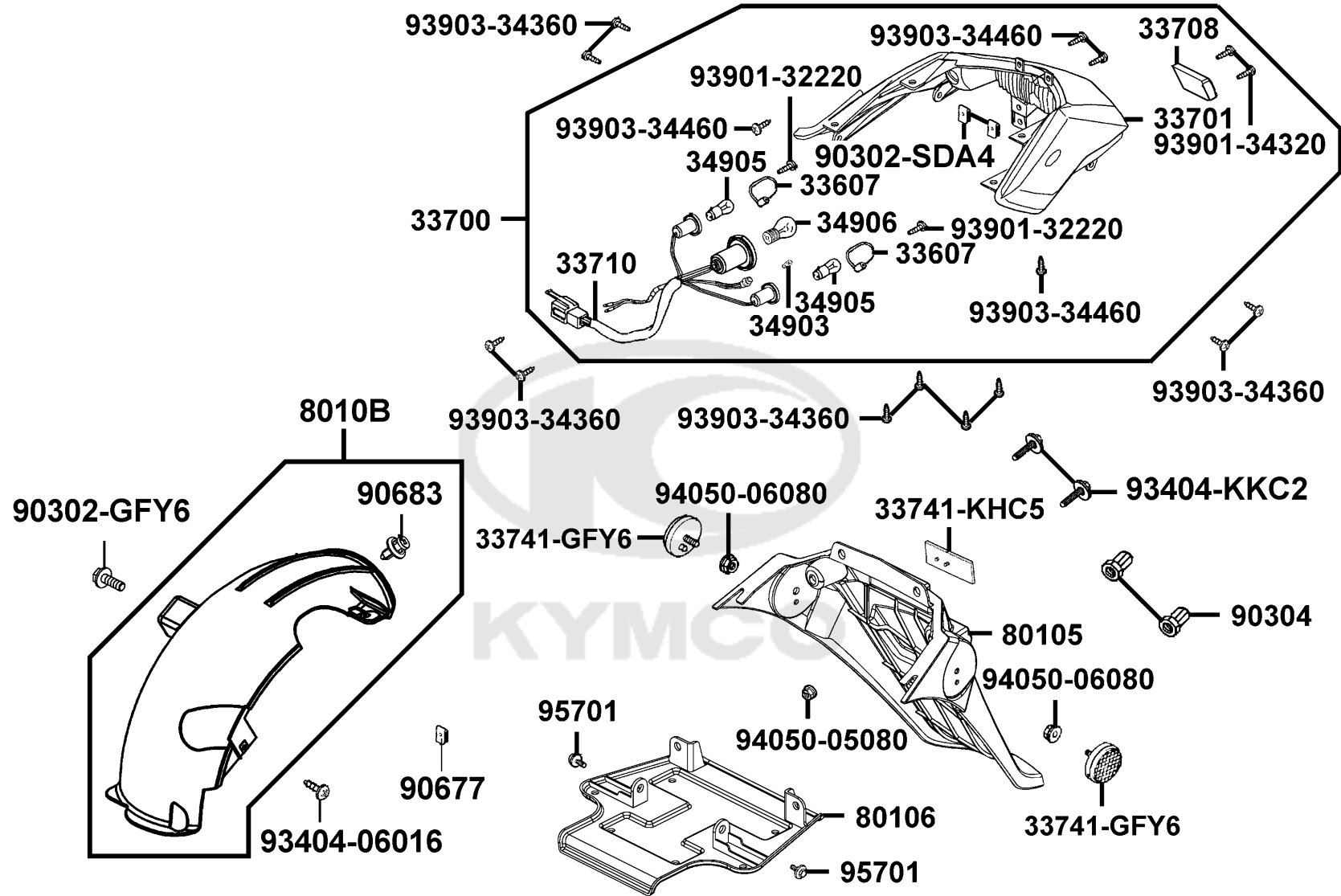
F17

Front Winker



| Sales mark | Ref no | Part no        | Description        | Reg description    | Regd no | F17 |
|------------|--------|----------------|--------------------|--------------------|---------|-----|
|            | 33400  | 33400-LEA5-E00 | WINKER ASSY R FR   | WINKER ASSY R FR   | 1       |     |
|            | 33402  | 33402-LEA5-E00 | LENS FR WINKER R   | LENS FR WINKER R   | 1       |     |
|            | 33450  | 33450-LEA5-E00 | WINKER ASSY L FR   | WINKER ASSY L FR   | 1       |     |
|            | 33452  | 33452-LEA5-E00 | LENS L FR WINKER   | LENS L FR WINKER   | 1       |     |
|            | 34905  | 34905-LBA7-E00 | BULB WINKER 12V10W | BULB WINKER 12V10W | 2       |     |
|            | 93903  | 93903-34360    | SCREW TAPPING 4*12 | SCREW TAPPING 4*12 | 8       |     |




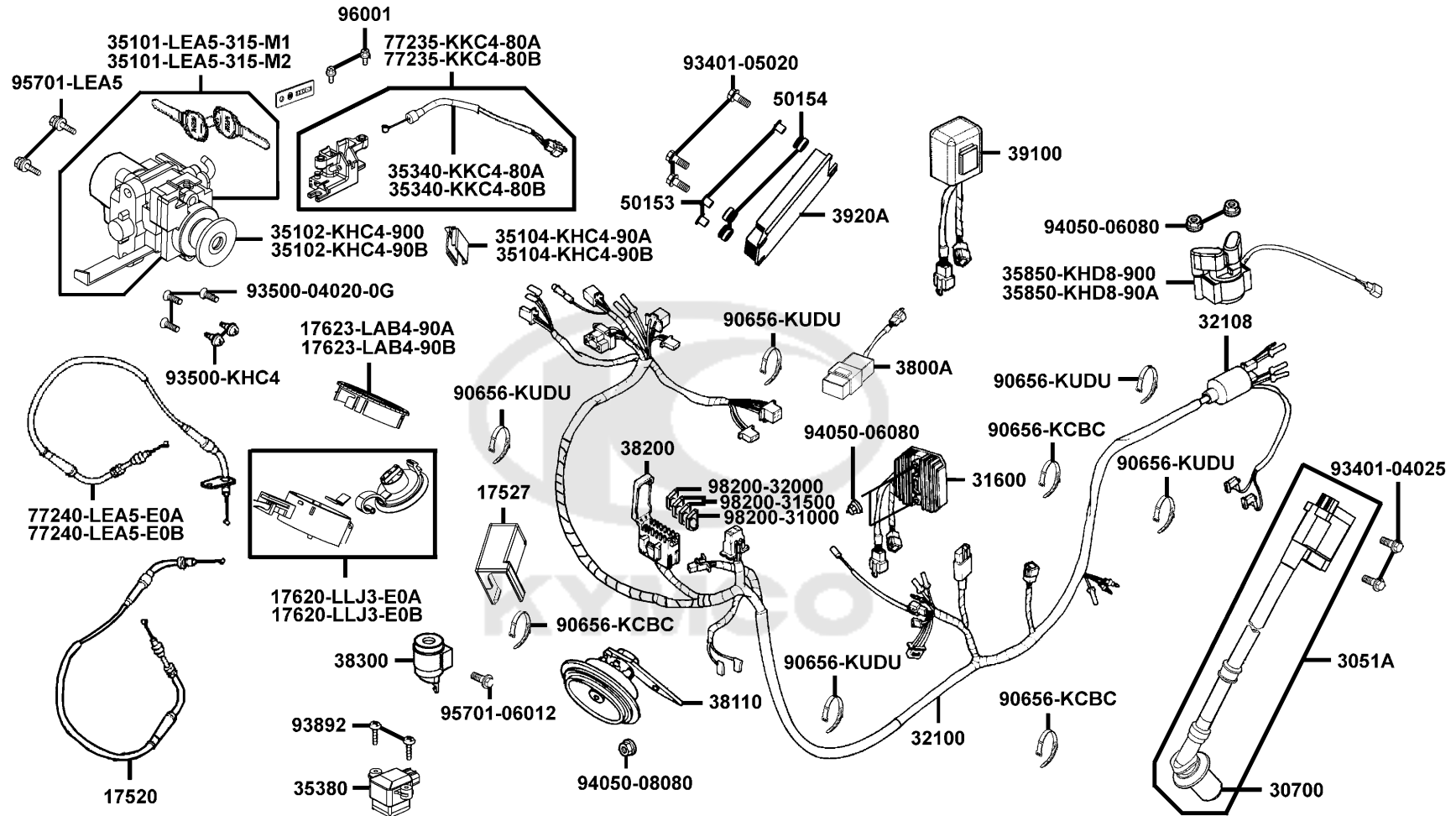


| Sales mark | Ref no      | Part no        | Description                | Reg description            | Regd no | <b>F18</b> |
|------------|-------------|----------------|----------------------------|----------------------------|---------|------------|
|            | 33607       | 33607-KKD7-E00 | INNER LENS WINKER          | INNER LENS WINKER          | 2       |            |
|            | 33700       | 33700-LEA5-E00 | LIGHT ASSY RR COMB         | LIGHT ASSY RR COMB         | 1       |            |
|            | 33701       | 33701-LEA5-E00 | LENS COMP TAIL LIGHT       | LENS COMP TAIL LIGHT       | 1       |            |
|            | 33708       | 33708-KHE7-E00 | LENS LICENSE               | LENS LICENSE               | 1       |            |
|            | 33710       | 33710-LEA5-E00 | SOCKET COMP RR COMB        | SOCKET COMP RR COMB        | 1       |            |
|            | 33741-GFY6  | 33741-GFY6-C30 | REFLEX REFLECTOR           | REFLEX REFLECTOR           | 2       |            |
|            | 33741-KHC5  | 33741-KHC5-M00 | REFLEX REFLECTOR           | REFLEX REFLECTOR           | 1       |            |
|            | 34903       | 34903-KPCP-900 | BULB POSITION              | BULB POSITION              | 1       |            |
|            | 34905       | 34905-KPCP-900 | BULB WINKER                | BULB WINKER                | 2       |            |
|            | 34906       | 34906-KPCP-900 | BULB TAIL & STOP 12V21W/5W | BULB TAIL & STOP 12V21W/5W | 1       |            |
| **         | 80105       | 80105-LEA5-E00 | FENDER RR                  | FENDER RR                  | 1       |            |
| **         | 80106       | 80106-LEA5-E00 | FENDER RR INNER            | FENDER RR INNER            | 1       |            |
| #          | 8010B       | 8010B-LEA5-E00 | "FENDER ASSY.,RR TIRE"     | "FENDER ASSY.,RR TIRE"     | 1       |            |
|            | 90302-GFY6  | 90302-GFY6-940 | BOLT-WASH 5*16             | BOLT-WASH 5*16             | 1       |            |
|            | 90302-SDA4  | 90302-SDA4-004 | NUT SPRING 4MM             | NUT SPRING 4MM             | 2       |            |
|            | 90304       | 90304-4H38-001 | NUT HEX CAP 6MM            | NUT SPECIAL 6MM            | 2       |            |
|            | 90677       | 90677-GAR1-004 | NUT CLIP 5MM               | NUT CLIP 5MM               | 1       |            |
|            | 90683       | 90683-GAR1-004 | CLIP BODY COVER            | CLIP BODY COVER            | 1       |            |
|            | 93404-06016 | 93404-06016-06 | BOLT WASHER 6*16           | BOLT WASHER 6*16           | 1       |            |
|            | 93404-KKC2  | 93404-KKC2-900 | BOLT WASH 6*16             | BOLT WASH 6*16             | 2       |            |

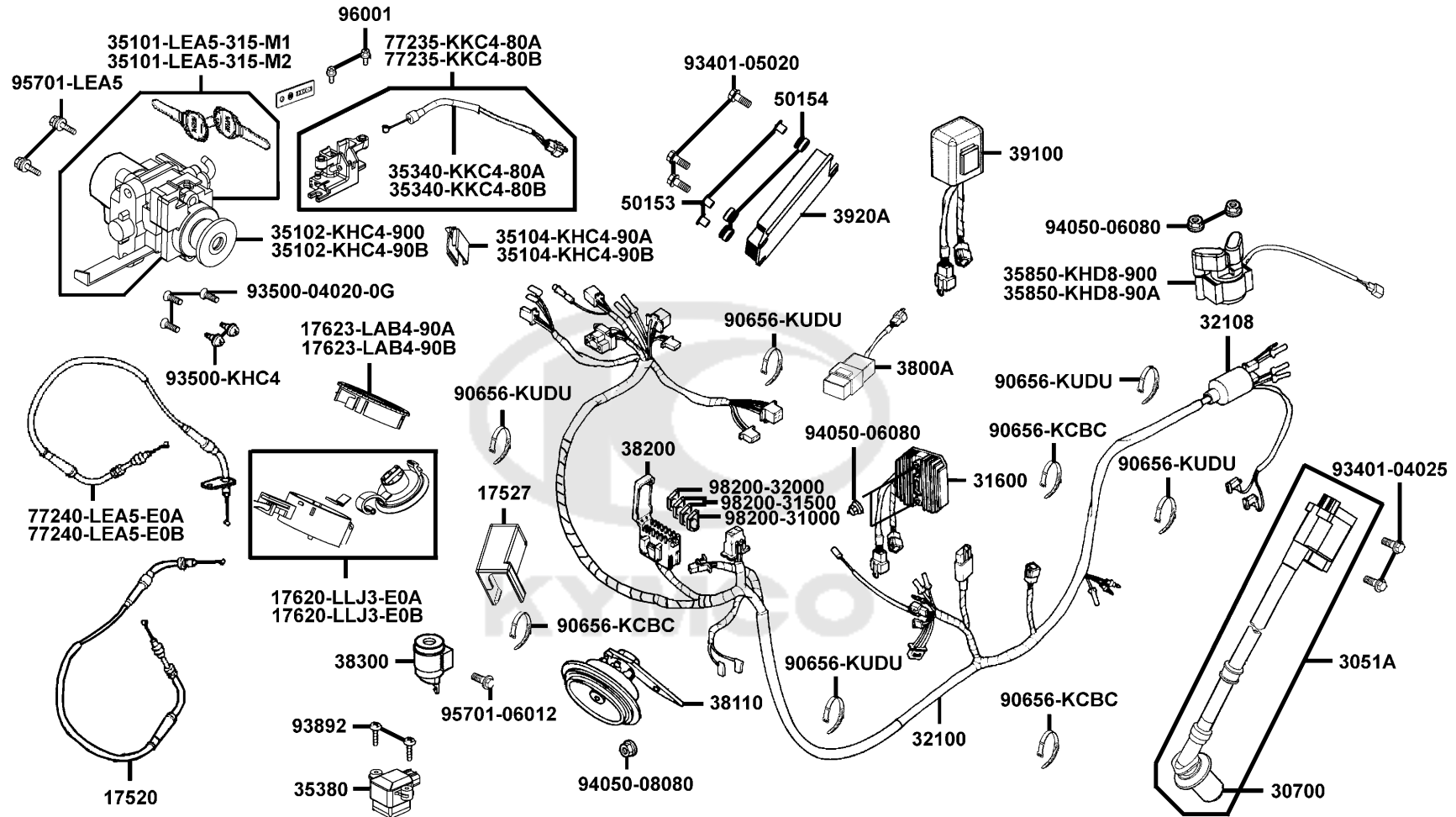




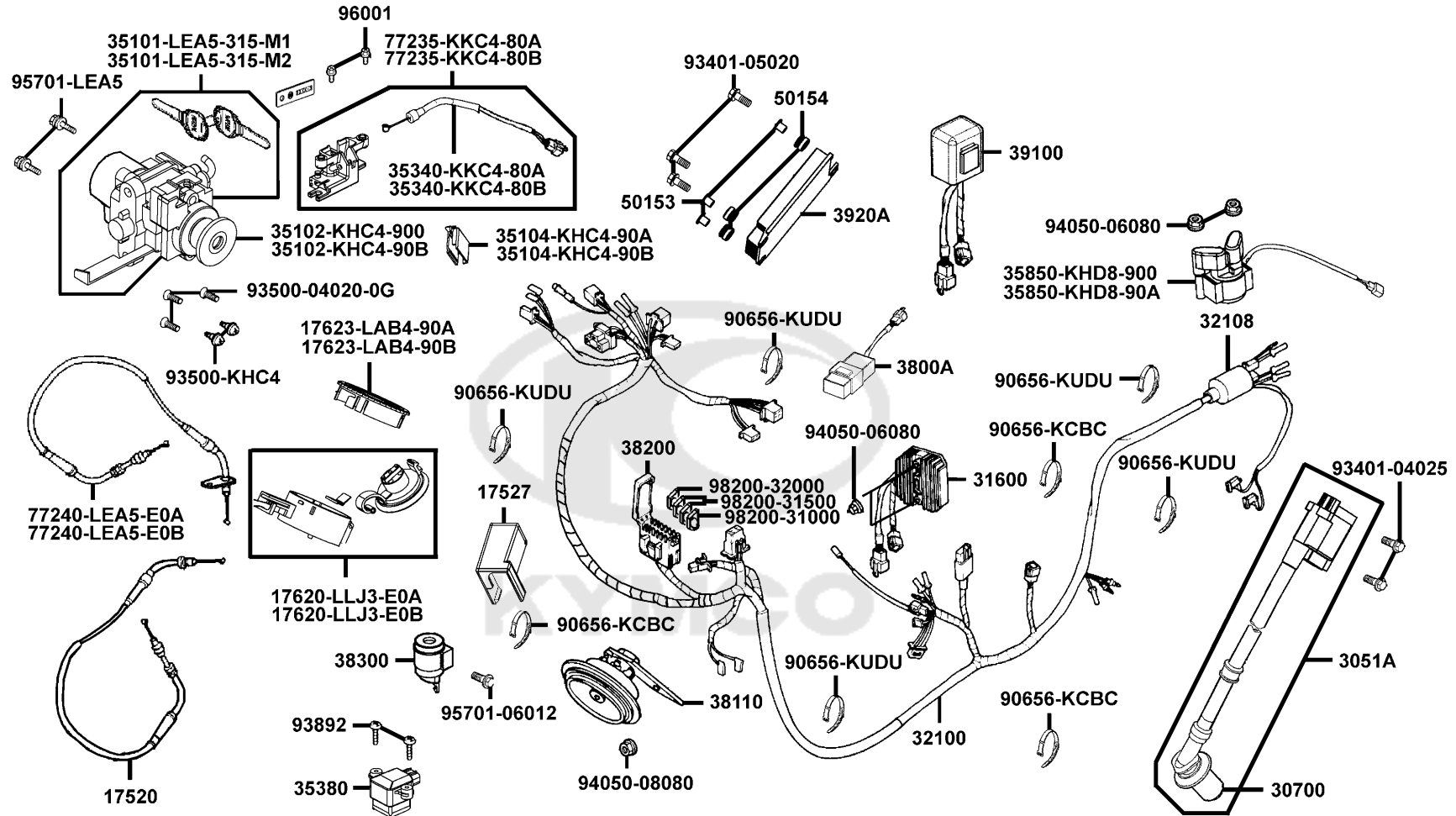
| Sales mark  | Ref no      | Part no        | Description        | Reg description    | Regd no | <b>F18</b> |
|---|-------------|----------------|--------------------|--------------------|---------|------------|
|   | 93901-32220 | 93901-32220    | SCREW TAPPING 3*10 | SCREW TAPPING 3*10 | 2       |            |
|   | 93901-34320 | 93901-34320    | SCREW TAPPING 4*12 | SCREW TAPPING 4*12 | 2       |            |
|   | 93903-34360 | 93903-34360    | SCREW TAPPING 4*12 | SCREW TAPPING 4*12 | 10      |            |
|   | 93903-34460 | 93903-34460    | SCREW TAPPING 4*16 | SCREW TAPPING 4*16 | 4       |            |
|   | 94050-05080 | 94050-05080    | NUT FLANGE 5MM     | NUT FLANGE 5MM     | 1       |            |
|   | 94050-06080 | 94050-06080    | NUT FLANGE 6MM     | NUT FLANGE 6MM     | 2       |            |
|   | 95701       | 95701-06012-08 | BOLT FLANGE 6*12   | BOLT FLANGE 6*12   | 2       |            |
|  |             |                |                    |                    |         |            |



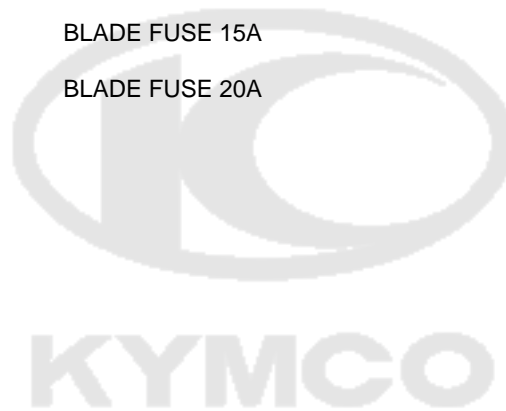
| Sales mark | Ref no            | Part no           | Description                | Reg description            | Regd no | <b>F19</b> |
|------------|-------------------|-------------------|----------------------------|----------------------------|---------|------------|
|            | 17520             | 17520-LEA5-E0A    | CABLE COMP FUEL CAP        | CABLE COMP FUEL CAP        | 1       |            |
|            | 17527             | 17527-LBA2-900    | SLIDE COVER FUEL CAP       | SLIDE COVER FUEL CAP       | 1       |            |
| **         | 17620-LLJ3-E0A    | 17620-LLJ3-E0A    | CAP COMP FUEL FILLER       | CAP COMP FUEL FILLER       | 1       |            |
| **         | 17620-LLJ3-E0B    | 17620-LLJ3-E0B    | CAP COMP FUEL FILLER       | CAP COMP FUEL FILLER       | 1       |            |
|            | 17623-LAB4-90A    | 17623-LAB4-90A    | COLLAR FUEL CAP            | COLLAR FUEL CAP            | 1       |            |
|            | 17623-LAB4-90B    | 17623-LAB4-90B    | COLLAR FUEL CAP            | COLLAR FUEL CAP            | 1       |            |
|            | 3051A             | 3051A-LEA6-900    | COIL COMP IGN              | COIL COMP IGN              | 1       |            |
|            | 30700             | 30700-LEA6-900    | CAP ASSY NOISE SUPPRESSOR  | CAP ASSY NOISE SUPPRESSOR  | 1       |            |
| #          | 31600             | 31600-LDG7-900    | REG REC COMP               | REG REC COMP               | 1       |            |
|            | 32100             | 32100-LEA6-900    | HARNESS WIRE               | HARNESS WIRE               | 1       |            |
|            | 32108             | 32108-GFY6-901    | COVER HARNESS WIRE         | COVER HARNESS WIRE         | 1       |            |
|            | 35101-LEA5-315-M1 | 35101-LEA5-315-M1 | SW SET COMB & LOCK         | SW SET COMB & LOCK         | 1       |            |
|            | 35101-LEA5-315-M2 | 35101-LEA5-315-M2 | SW SET COMB & LOCK         | SW SET COMB & LOCK         | 1       |            |
|            | 35102-KHC4-900    | 35102-KHC4-900    | COLLAR MAIN SWITCH         | COLLAR MAIN SWITCH         | 1       |            |
|            | 35102-KHC4-90B    | 35102-KHC4-90B    | COLLAR MAIN SW             | COLLAR MAIN SW             | 1       |            |
|            | 35104-KHC4-90A    | 35104-KHC4-90A    | PLATE COVER FUEL CAP CABLE | PLATE COVER FUEL CAP CABLE | 1       |            |
|            | 35104-KHC4-90B    | 35104-KHC4-90B    | PLATE COVER FUEL CAP CABLE | PLATE COVER FUEL CAP CABLE | 1       |            |
|            | 35340-KKC4-80A    | 35340-KKC4-80A    | STOP SWITCH                | STOP SWITCH                | 1       |            |
|            | 35340-KKC4-80B    | 35340-KKC4-80B    | STOP SWITCH                | STOP SWITCH                | 1       |            |
|            | 35380             | 35380-KKE3-900    | SENSOR ANGLE DETECT        | SENSOR ANGLE DETECT        | 1       |            |



| Sales mark | Ref no         | Part no        | Description          | Reg description      | Regd no | F19 |
|------------|----------------|----------------|----------------------|----------------------|---------|-----|
|            | 35850-KHD8-900 | 35850-KHD8-900 | SET START MAG        | SET START MAG        | 1       |     |
|            | 35850-KHD8-90A | 35850-KHD8-90A | SET START MAG        | SET START MAG        | 1       |     |
|            | 3800A          | 3800A-KKC4-900 | UNIT ASSY ENG STOP   | UNIT ASSY ENG STOP   | 1       |     |
|            | 38110          | 38110-LEA5-E00 | HORN COMP            | HORN COMP            | 1       |     |
|            | 38200          | 38200-KHE7-900 | BOX COMP FUSE        | BOX COMP FUSE        | 1       |     |
|            | 38300-LEA5-E0A | 38300-LEA5-E0A | RELAY ASSY WINKER    | RELAY ASSY WINKER    | 1       |     |
|            | 39100          | 39100-KHD8-900 | EMI FILTER MOTOR     | EMI FILTER MOTOR     | 1       |     |
|            | 3920A          | 3920A-LEA6-800 | ASSY ECU             | ASSY ECU             | 1       |     |
|            | 50153          | 50153-KKE3-900 | RUBBER ECU           | RUBBER ECU           | 1       |     |
|            | 50154          | 50154-KKE3-900 | COLLAR ECU           | COLLAR ECU           | 3       |     |
|            | 77235-KKC4-80A | 77235-KKC4-80A | SEAT CATCH           | SEAT CATCH           | 1       |     |
|            | 77235-KKC4-80B | 77235-KKC4-80B | SEAT CATCH           | SEAT CATCH           | 1       |     |
|            | 77240-LEA5-E0A | 77240-LEA5-E0A | CABLE COMP SEAT LOCK | CABLE COMP SEAT LOCK | 1       |     |
|            | 77240-LEA5-E0B | 77240-LEA5-E0B | CABLE COMP SEAT LOCK | CABLE COMP SEAT LOCK | 1       |     |
|            | 90656-KCBC     | 90656-KCBC-900 | BAND OIL HOSE        | BAND OIL HOSE        | 3       |     |
| **         | 90656-KUDU     | 90656-KUDU-900 | BAND HARNESS WIRE    | BAND HARNESS WIRE    | 5       |     |
|            | 93401-04025    | 93401-04025-08 | BOLT WASHER 4*25     | BOLT WASHER 4*25     | 2       |     |
|            | 93401-05020    | 93401-05020-08 | BOLT WASHER 5*20     | BOLT WASHER 5*20     | 3       |     |
|            | 93500-04020    | 93500-04020-0G | SCREW PAN 4*20       | SCREW PAN 4*20       | 3       |     |
|            | 93500-KHC4     | 93500-KHC4-90A | SCREW PAN 5*10       | SCREW PAN 5*10       | 2       |     |

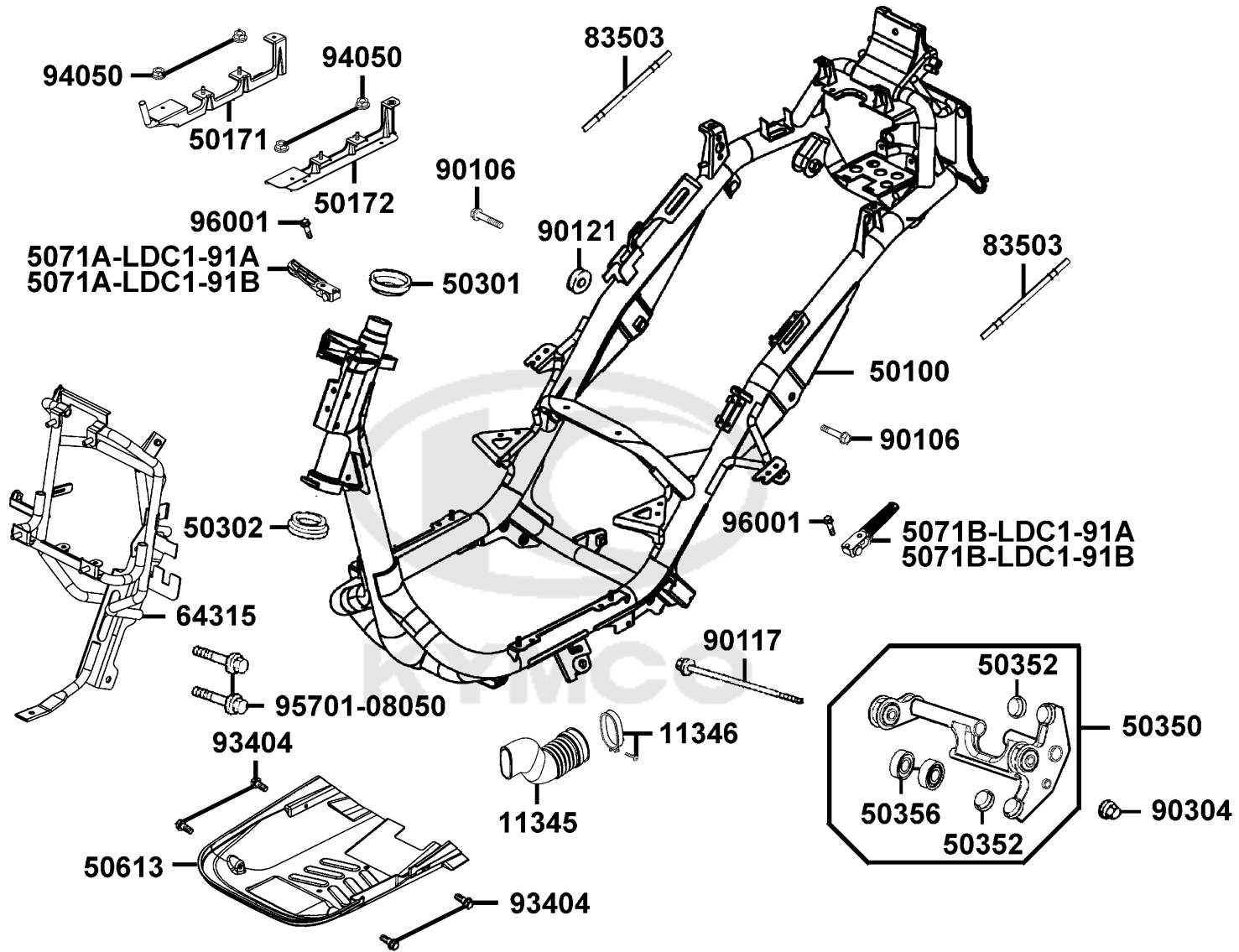


| Sales mark | Ref no      | Part no        | Description       | Reg description   | Regd no | <b>F19</b> |
|------------|-------------|----------------|-------------------|-------------------|---------|------------|
|            | 93892       | 93892-04022-08 | SCREW WASHER 4*22 | SCREW WASHER 4*22 | 2       |            |
|            | 94050-06080 | 94050-06080    | NUT FLANGE 6MM    | NUT FLANGE 6MM    | 4       |            |
|            | 94050-08080 | 94050-08080    | NUT FLANGE 8MM    | NUT FLANGE 8MM    | 1       |            |
|            | 95701-06012 | 95701-06012-08 | BOLT FLANGE 6*12  | BOLT FLANGE 6*12  | 2       |            |
|            | 95701-LEA5  | 95701-LEA5-E00 | BOLT TORQUE 8*25  | BOLT TORQUE 8*25  | 2       |            |
|            | 96001       | 96001-06014-08 | BOLT FLANGE 6*14  | BOLT FLANGE 6*14  | 2       |            |
|            | 98200-31000 | 98200-31000    | BLADE FUSE 10A    | BLADE FUSE 10A    | 1       |            |
|            | 98200-31500 | 98200-31500    | BLADE FUSE 15A    | BLADE FUSE 15A    | 2       |            |
|            | 98200-32000 | 98200-32000    | BLADE FUSE 20A    | BLADE FUSE 20A    | 1       |            |



F20

Frame Body

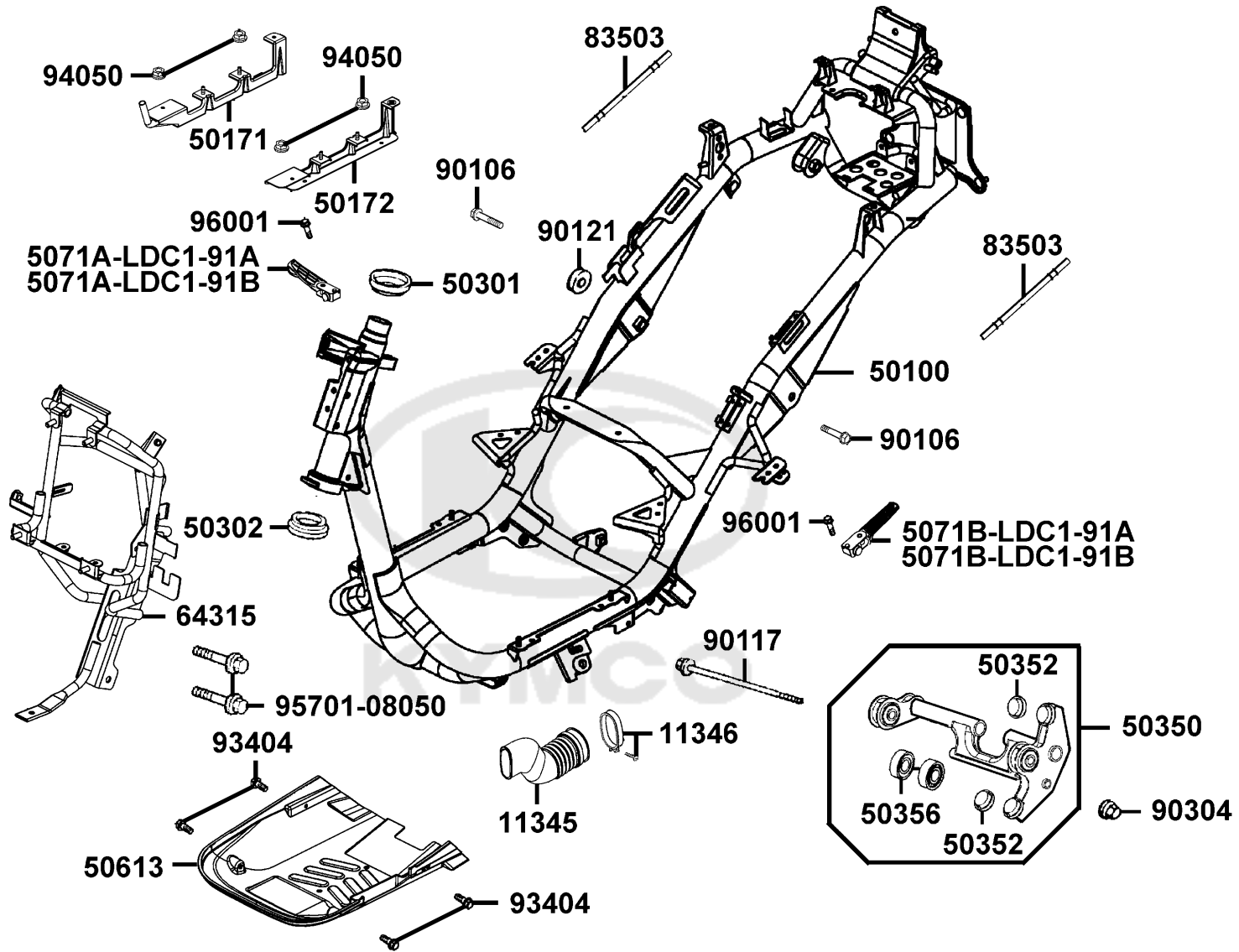





| Sales mark | Ref no         | Part no        | Description                | Reg description            | Regd no | F20 |
|------------|----------------|----------------|----------------------------|----------------------------|---------|-----|
|            | 11345          | 11345-LEA5-E00 | DUCT L COVER               | DUCT L COVER               | 1       |     |
|            | 11346          | 11346-KKC3-900 | BAND L COVER DUCT          | BAND L COVER DUCT          | 1       |     |
|            | 50100          | 50100-LEA6-E00 | BODY COMP FRAME            | BODY COMP FRAME            | 1       |     |
|            | 50171          | 50171-LEA5-E00 | BRKT COMP R PANEL          | BRKT COMP R PANEL          | 1       |     |
|            | 50172          | 50172-LEA5-E00 | BRKT COMP L PANEL          | BRKT COMP L PANEL          | 1       |     |
|            | 50301          | 50301-KGN7-671 | RACE UP STRG BALL          | RACE UP STRG BALL          | 1       |     |
|            | 50302          | 50302-2H68-011 | RACE STRG BOT BALL         | RACE (STRG BOT) BALL       | 1       |     |
|            | 50350          | 50350-LEA5-B20 | ENG HANGER COMP            | ENG HANGER COMP            | 1       |     |
|            | 50352          | 50352-GFY6-901 | RUBBER STOPPER             | RUBBER STOPPER             | 2       |     |
|            | 50356          | 50356-KHE7-E00 | BUSH SWING LOCK            | BUSH SWING LOCK            | 2       |     |
| **         | 50613          | 50613-LEA5-E00 | COVER UNDER                | COVER UNDER                | 1       |     |
|            | 5071A-LDC1-91A | 5071A-LDC1-91A | BAR STEP R ASSY            | BAR STEP R ASSY            | 1       |     |
|            | 5071A-LDC1-91B | 5071A-LDC1-91B | BAR STEP R ASSY            | BAR STEP R ASSY            | 1       |     |
|            | 5071B-LDC1-91A | 5071B-LDC1-91A | BAR STEP L ASSY            | BAR STEP L ASSY            | 1       |     |
|            | 5071B-LDC1-91B | 5071B-LDC1-91B | BAR STEP L ASSY            | BAR STEP L ASSY            | 1       |     |
|            | 64315          | 64315-LEA6-E00 | STAY FR COVER              | STAY FR COVER              | 1       |     |
| **         | 83503          | 83503-KHD6-900 | COVER PROTECT SEAT WIRE FR | COVER PROTECT SEAT WIRE FR | 2       |     |
|            | 90106          | 90106-KHE7-E00 | BOLT FLANGE 12*59          | BOLT FLANGE 12*59          | 2       |     |
|            | 90117          | 90117-KED9-900 | BOLT FLANGE 10*265         | BOLT FLANGE 10*265         | 1       |     |
|            | 90121          | 90121-KHE7-E00 | COLLAR DISTANCE            | COLLAR DISTANCE            | 1       |     |

F20

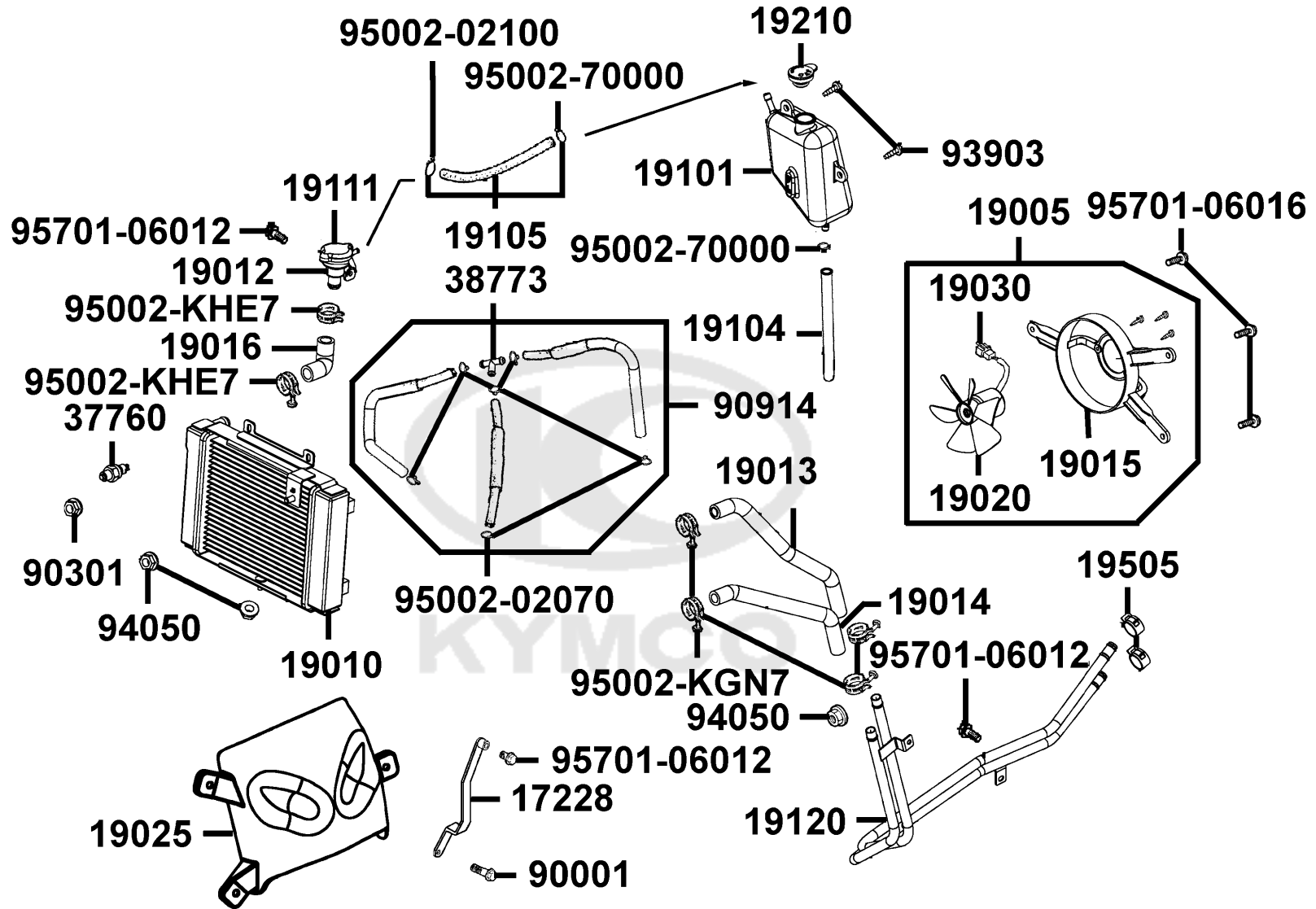
Frame Body



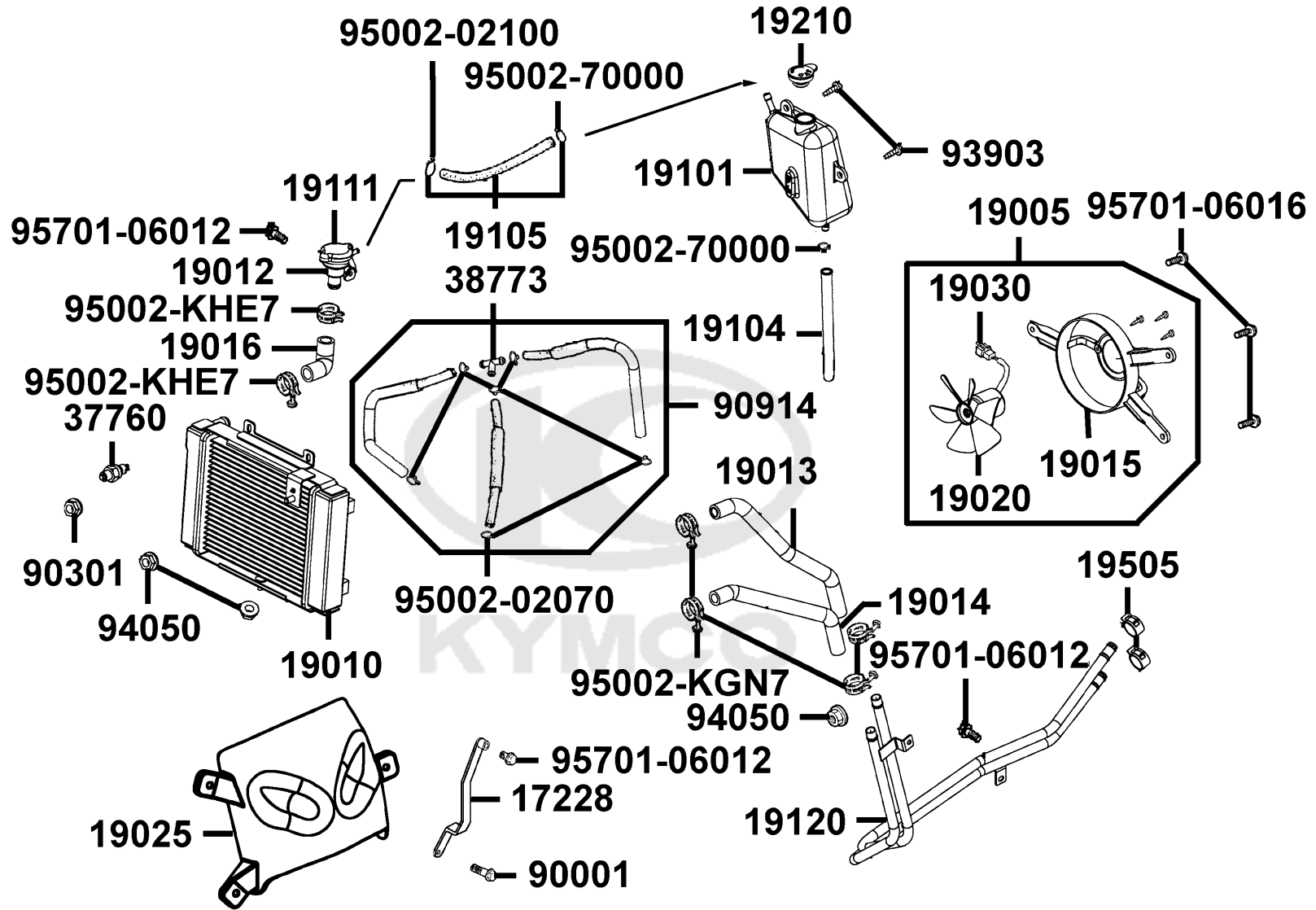
| Sales mark  | Ref no            | Part no           | Description      | Reg description      | Regd no | <b>F20</b> |
|---|-------------------|-------------------|------------------|----------------------|---------|------------|
| 90304   | 90304-GHE8-004-SY | 90304-GHE8-004-SY | NUT U 10MM       | NUT U 10MM           | 1       |            |
| 93404   | 93404-KKC2-900    | 93404-KKC2-900    | BOLT WASH 6*16   | BOLT WASH 6*16       | 4       |            |
| 94050   | 94050-06080       | 94050-06080       | NUT FLANGE 6MM   | NUT FLANGE 6MM       | 4       |            |
| 95701   | 95701-08050-08    | 95701-08050-08    | BOLT FLANGE 8*50 | BOLT FLANGE 8*50 (K) | 2       |            |
| 96001   | 96001-06032-06    | 96001-06032-06    | BOLT FLANGE 6*32 | BOLT FLANGE 6*32     | 2       |            |
|  |                   |                   |                  |                      |         |            |

F21

Radiator

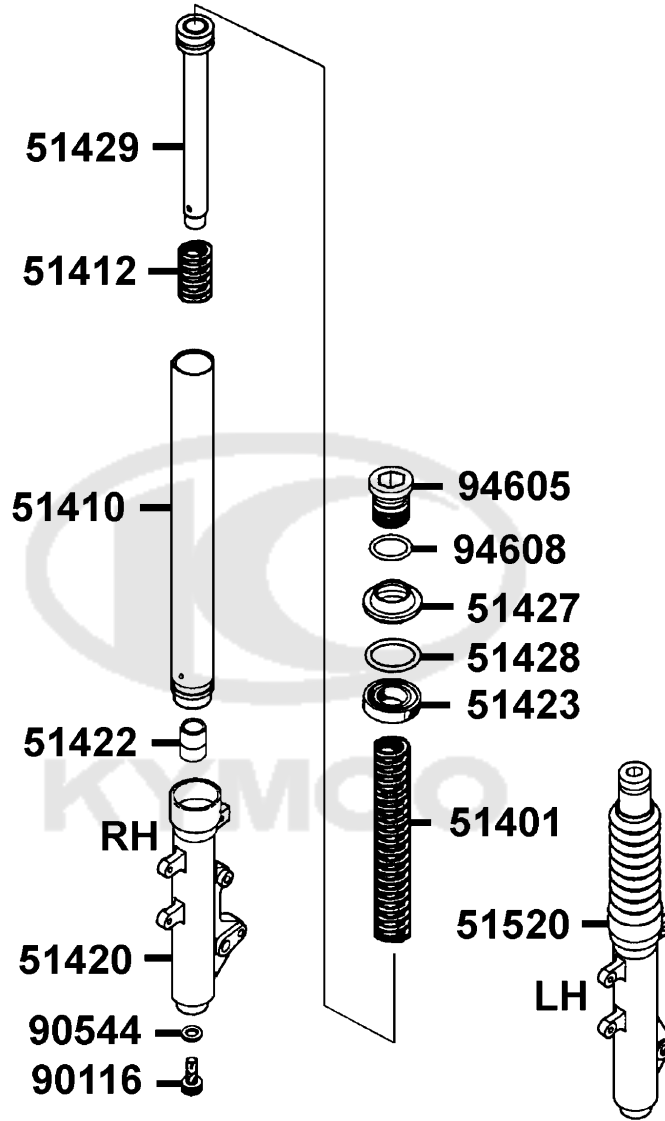


| Sales mark | Ref no | Part no        | Description              | Reg description          | Regd no | F21 |
|------------|--------|----------------|--------------------------|--------------------------|---------|-----|
| 17228      |        | 17228-KKC3-900 | STAY A/C                 | STAY A/C                 | 1       |     |
| 19005      |        | 19005-KKC4-900 | SHROUD ASSY              | SHROUD ASSY              | 1       |     |
| 19010      |        | 19010-LEA6-E00 | RADIATOR COMP            | RADIATOR COMP            | 1       |     |
| 19012      |        | 19012-KHD8-900 | UNIT RADIATOR            | UNIT RADIATOR            | 1       |     |
| 19013      |        | 19013-LEA6-E00 | HOSE WATER INLET         | HOSE WATER INLET         | 1       |     |
| 19014      |        | 19014-LEA6-E00 | HOSE WATER OUT           | HOSE WATER OUT           | 1       |     |
| 19015      |        | 19015-KKC4-900 | SHROUD COMP              | SHROUD COMP              | 1       |     |
| 19016      |        | 19016-LEA6-E00 | HOSE WATER-UNIT CAP      | HOSE WATER-UNIT CAP      | 1       |     |
| 19020      |        | 19020-KED9-900 | FAN COOLING              | FAN COOLING              | 1       |     |
| 19025      |        | 19025-LEA6-E00 | COVER RADIATOR           | COVER RADIATOR           | 1       |     |
| 19030      |        | 19030-KHD8-900 | MOTOR ASSY FAN           | MOTOR ASSY FAN           | 1       |     |
| 19101      |        | 19101-LEA5-E00 | TANK RESERVE             | TANK RESERVE             | 1       |     |
| 19104      |        | 19104-LBA2-E00 | HOSE ASSY DRAIN          | HOSE ASSY DRAIN          | 1       |     |
| 19105      |        | 19105-LBA2-E00 | HOSE ASSY RESERVE-COOLER | HOSE ASSY RESERVE-COOLER | 1       |     |
| 19111      |        | 19111-GBE2-004 | CAP COMP                 | CAP COMP                 | 1       |     |
| 19120      |        | 19120-LEA5-E00 | PIPE COMP WATER          | PIPE COMP WATER          | 1       |     |
| 19210      |        | 19210-KKC4-900 | CAP RESERVE TANK         | CAP RESERVE TANK         | 1       |     |
| 19505      |        | 19505-GFY6-940 | CLAMP A WATER HOSE       | CLAMP A WATER HOSE       | 2       |     |
| 37760      |        | 37760-KHD8-900 | SW ASSY THERMO           | SW ASSY THERMO           | 1       |     |
| 38773      |        | 38773-PKB9-001 | JOINT 3 WAY 3.5          | JOINT 3 WAY 3.5          | 1       |     |



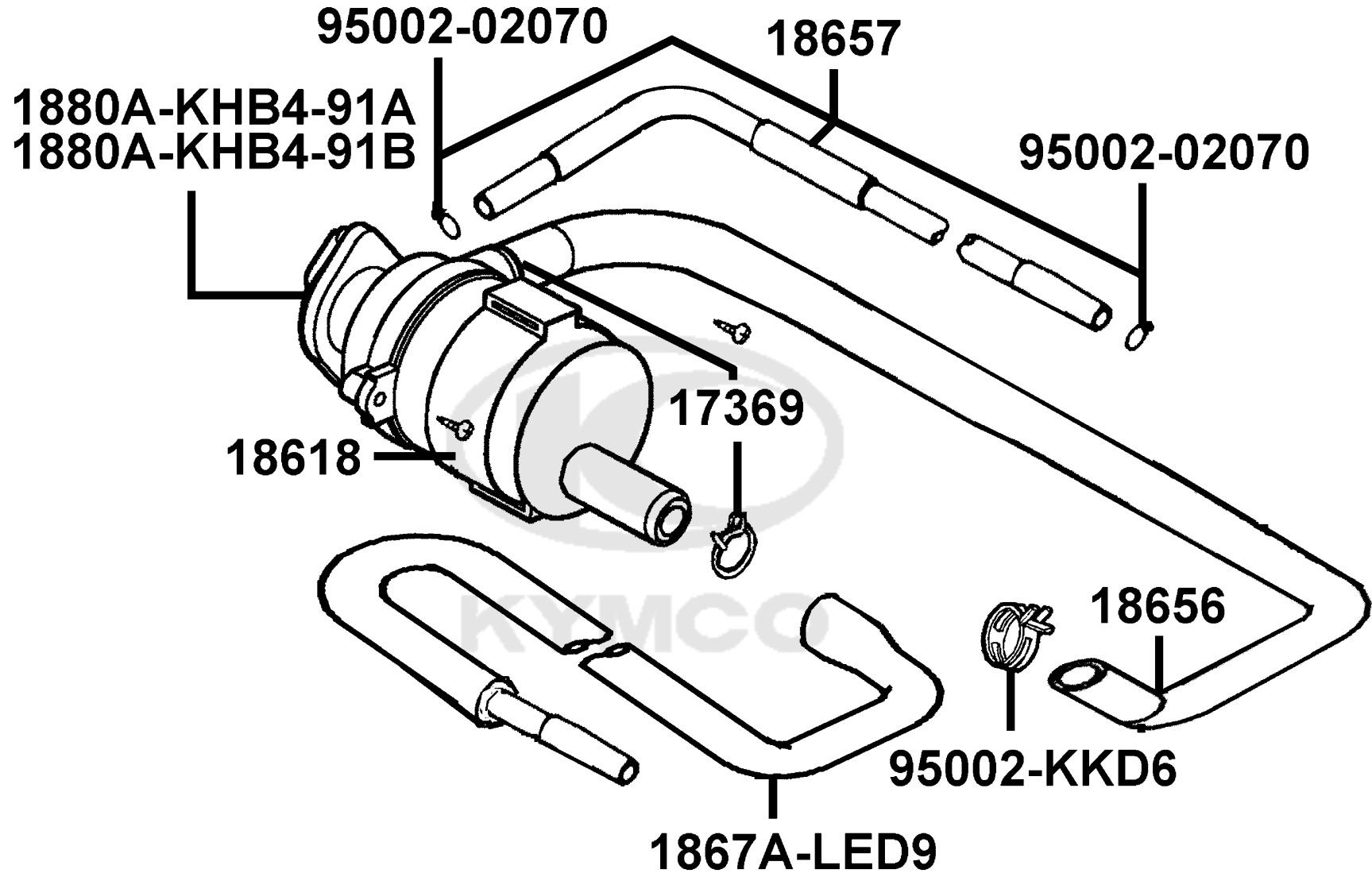
| Sales mark  | Ref no | Part no        | Description          | Reg description      | Regd no | <b>F21</b> |
|-------------|--------|----------------|----------------------|----------------------|---------|------------|
| 90001       |        | 90001-GBHB-661 | BOLT FLANGE SH 6*22  | BOLT FLANGE SH 6*22  | 1       |            |
| 90301       |        | 90301-6D34-671 | NUT FLANGE 6MM       | NUT FLANGE 6MM       | 1       |            |
| 90914       |        | 90914-LEA6-E00 | TUBE ASSY WATER      | TUBE ASSY WATER      | 1       |            |
| 93903       |        | 93903-35220    | SCREW TAPPING 5*12   | SCREW TAPPING 5*12   | 2       |            |
| 94050       |        | 94050-06080    | NUT FLANGE 6MM       | NUT FLANGE 6MM       | 3       |            |
| 95002-02070 |        | 95002-02070    | CLIP B7 TUBE         | CLIP B7 TUBE         | 6       |            |
| 95002-02100 |        | 95002-02100    | CLIP B15 TUBE        | CLIP B15 TUBE        | 1       |            |
| 95002-70000 |        | 95002-70000    | CLIP C11 TUBE        | CLIP C11 TUBE        | 2       |            |
| 95002-KGN7  |        | 95002-KGN7-910 | CLIP TUBE            | CLIP TUBE            | 4       |            |
| 95002-KHE7  |        | 95002-KHE7-900 | CLIP WATER HOSE      | CLIP WATER HOSE      | 2       |            |
| 95701-06012 |        | 95701-06012-06 | BOLT FLANGE 6*12     | BOLT FLANGE 6*12     | 3       |            |
| 95701-06016 |        | 95701-06016-06 | BOLT FLANGE 6*16 (K) | BOLT FLANGE 6*16 (K) | 3       |            |

Separated Parts Of Fr Fork

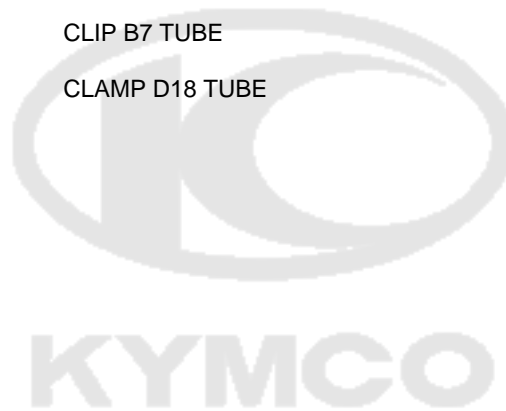




| Sales mark | Ref no | Part no        | Description           | Reg description       | Regd no | F22 |
|------------|--------|----------------|-----------------------|-----------------------|---------|-----|
|            | 51401  | 51401-LEA5-E00 | SPRING                | SPRING                | 2       |     |
|            | 51410  | 51410-LEA5-E00 | FORK PIPE COMP        | FORK PIPE COMP        | 2       |     |
|            | 51412  | 51412-KHD8-900 | REBOUND SPRING        | REBOUND SPRING        | 2       |     |
| **         | 51420  | 51420-KHD8-900 | BOTTOM CASE R         | BOTTOM CASE R         | 1       |     |
|            | 51422  | 51422-KEC8-900 | OIL LOCK PIECE        | OIL LOCK PIECE        | 2       |     |
|            | 51423  | 51423-KKAK-900 | OIL SEAL              | OIL SEAL              | 2       |     |
|            | 51427  | 51427-KKAK-900 | DUST SEAL             | DUST SEAL             | 2       |     |
|            | 51428  | 51428-KKAK-900 | OIL SEAL STOPPER RING | OIL SEAL STOPPER RING | 2       |     |
|            | 51429  | 51429-KHD8-900 | PIPE SEAT COMP        | PIPE SEAT COMP        | 2       |     |
| **         | 51520  | 51520-KHD8-900 | BOTTOM CASE L         | BOTTOM CASE L         | 1       |     |
|            | 90116  | 90116-KHD8-900 | BOLT                  | BOLT                  | 2       |     |
|            | 90544  | 90544-KEC8-900 | PACKING               | PACKING               | 2       |     |
|            | 94605  | 94605-KHD8-900 | FORK BOLT             | FORK BOLT             | 2       |     |
|            | 94608  | 94608-30000    | O-RING                | O-RING                | 2       |     |



| Sales mark     | Ref no | Part no        | Description               | Reg description           | Regd no | <b>F23</b> |
|----------------|--------|----------------|---------------------------|---------------------------|---------|------------|
| 17369          |        | 17369-KDB4-671 | CLIP BREATHER TUBE        | CLIP BREATHER TUBE        | 2       |            |
| 18618          |        | 18618-KHD6-900 | RUBBER AI CLEANER MOUNT   | RUBBER AI CLEANER MOUNT   | 1       |            |
| 18656          |        | 18656-LEA5-E00 | DUCT AICV REED VALVE      | DUCT AICV REED VALVE      | 1       |            |
| 18657          |        | 18657-KHB4-900 | TUBE ASSY AICV-INLET PIPE | TUBE ASSY AICV-INLET PIPE | 1       |            |
| 1867A          |        | 1867A-LED9-900 | DUCT AIR AICV             | DUCT AIR AICV             | 1       |            |
| 1880A-KHB4-91A |        | 1880A-KHB4-91A | AI/C-AICV ASSY            | AI/C-AICV ASSY            | 1       |            |
| 1880A-KHB4-91B |        | 1880A-KHB4-91B | ASSY AIC-AICV             | ASSY AIC-AICV             | 1       |            |
| 95002-02070    |        | 95002-02070    | CLIP B7 TUBE              | CLIP B7 TUBE              | 2       |            |
| 95002-KKD6     |        | 95002-KKD6-E05 | CLAMP D18 TUBE            | CLAMP D18 TUBE            | 1       |            |



|   |   |
|---|---|
| <ul style="list-style-type: none"> <li>● Be sure to wear a safety helmet when riding.</li> <li>● Do not exceed the speed specified by law when riding.</li> <li>● The exhaust muffler temperature is very high after riding. Be sure to park the motorcycle in a place not easily touched by people.</li> <li>● For riding safety and good performance, do not violate the law to modify the motorcycle.</li> </ul> | <ul style="list-style-type: none"> <li>● Make sure to perform the periodic maintenance and periodic inspection.</li> </ul> <div style="text-align: center; border: 1px solid black; padding: 2px; width: fit-content; margin: 0 auto;"> <b>Periodic Inspection Items</b> </div> <p>Brake Performance, tires, engine oil level, lights, horn, and instrument panel</p> <p style="text-align: center;">KWANG YANG MOTOR CO., LTD.</p> |
|---|---|

● Please read the User's Manual carefully to ensure riding safety.

87560

### CAUTIONS

|   |                              |
|---|------------------------------|
| Tire Size. :Front 120/70-13   | Rear 140/70-12               |
| (One Rider) :Front 1.75kgf/cm <sup>2</sup>  | Rear 2.25kgf/cm <sup>2</sup> |
| (Two Rider) :Front 2.00kgf/cm <sup>2</sup>  | Rear 2.50kgf/cm <sup>2</sup> |
| Load Capacity:Shield 1.5kg Clip assv center 3kg<br>(As per KYMCO standard specification ) |                              |
| (Note:The tire pressure must not overpass 2.80kgf/cm)                                     |                              |

- Check the motor oil level with the dipstick after refilling motor oil,

● Full Capacity : 1.1 ℓ                      Exchange Capacity : 0.9 ℓ

87505

### CAUTIONS

Never put any article between the rear side cover and the engine to avoid interference of riding.

GM9-300

87542

MODEL YEAR: 2010

87571

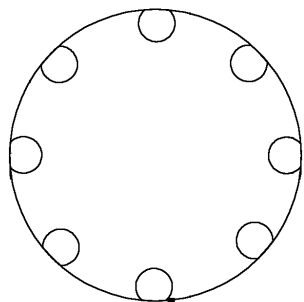
### CAUTIONS

Before starting the engine,the side stand shall be kicked up to secure safety.

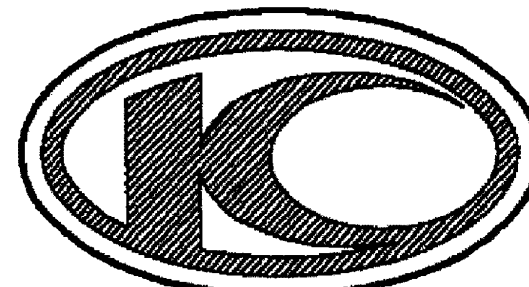
87541

| Sales mark | Ref no | Part no        | Description        | Reg description    | Regd no | <b>F24</b> |
|------------|--------|----------------|--------------------|--------------------|---------|------------|
| **         | 87505  | 87505-LEA5-E00 | LABEL TIRE         | LABEL TIRE         | 1       |            |
| **         | 87541  | 87541-GAR1-E00 | CAUTION SIDE STAND | CAUTION SIDE STAND | 1       |            |
| **         | 87542  | 87542-GAR1-E00 | MARK MAINT CAUTION | MARK MAINT CAUTION | 1       |            |
| **         | 87560  | 87560-GFY6-E00 | MARK DRIVE CAUTION | MARK DRIVE CAUTION | 1       |            |
| **         | 87571  | 87571-HCKC-B00 | MODEL YEAR         | MODEL YEAR         | 1       |            |

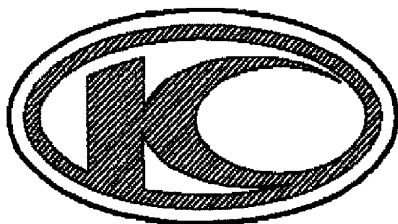




87140-LEA6-900



86102-LCD3



86102-LEA5



87140-LEA6-E00



87140-LDG7



86202

| Sales mark | Ref no         | Part no        | Description     | Reg description | Regd no | <b>F25</b> |
|------------|----------------|----------------|-----------------|-----------------|---------|------------|
| **         | 86102-LCD3     | 86102-LCD3-E00 | EMB K-LOGO 38MM | EMB K-LOGO 38MM | 1       |            |
| **         | 86102-LEA5     | 86102-LEA5-E00 | EMB K-LOGO 28MM | EMB K-LOGO 28MM | 1       |            |
| **         | 86202          | 86202-LEA5-E00 | EMB BODY COVER  | EMB BODY COVER  | 1       |            |
| **         | 87140-LDG7     | 87140-LDG7-E00 | EMB I MARK      | EMB I MARK      | 2       |            |
| **         | 87140-LEA6-900 | 87140-LEA6-900 | EMB ENG COVER   | EMB ENG COVER   | 1       |            |
| **         | 87140-LEA6-E00 | 87140-LEA6-E00 | EMB MARK 200    | EMB MARK 200    | 1       |            |



## PART NO. INDEX

| PART NO.       | VERSION | PAGE | PART NO.       | VERSION | PAGE | PART NO.       | VERSION | PAGE |
|----------------|---------|------|----------------|---------|------|----------------|---------|------|
| <b>11000</b>   |         |      | 12200-LEA6-900 | 5       | E02  | 14510-KEBE-900 | 0       | E03  |
| 11100-LEA6-305 | 0       | E01  | 12205-KHE8-301 | 3       | E02  | 14531-KKJ9-001 | 0       | E03  |
| 11102-1G87-004 | 3       | E01  | 12209-GDB4-68A | 0       | E02  | 14550-KDS4-00B | 3       | E03  |
| 11192-LEA5-E00 | 2       | E01  | 12209-GDB4-68B | 0       | E02  | 14552-KDS4-004 | 2       | E03  |
| 11200-LEA6-305 | 0       | E01  | 1221A-KEBE-900 | 1       | E02  | 14553-KDS4-004 | 2       | E03  |
| 11203-GGC7-301 | 2       | E01  | 12251-LEA6-900 | 3       | E02  | 14555-LBA2-E00 | 1       | E03  |
| 11203-GGC7-301 | 2       | F16  | 12310-KEBE-900 | 5       | E02  | 14610-KKJ9-001 | 0       | E03  |
| 11207-LEA5-E00 | 0       | F13  | 12361-LEA5-E00 | 1       | E04  | 14711-KEBE-900 | 1       | E02  |
| 11211-LEA5-E00 | 2       | F13  | 12391-KEBE-900 | 0       | E02  | 14721-KAAA-900 | 3       | E02  |
| 1122A-LEA6-900 | 1       | E05  | <b>13000</b>   |         |      | 14751-KKJ9-003 | 1       | E02  |
| 11330-KKC3-900 | 6       | E04  | 13000-LEA6-900 | 2       | E03  | 14761-KKJ9-003 | 1       | E02  |
| 11341-KKC3-900 | 7       | E01  | 13011-LBF6-E00 | 1       | E03  | 14771-GDB4-680 | 2       | E02  |
| 11342-LEA6-900 | 2       | E01  | 13101-LEA6-900 | 5       | E03  | 14775-MFA6-001 | 0       | E02  |
| 11345-LEA5-E00 | 3       | F20  | 13111-KKJ9-001 | 3       | E03  | 14781-MFA6-001 | 0       | E02  |
| 11346-KKC3-900 | 0       | F20  | 13406-LEA6-900 | 2       | E02  | <b>15000</b>   |         |      |
| 11353-LEA6-900 | 1       | E01  | <b>14000</b>   |         |      | 15100-KKC3-900 | 3       | E07  |
| 11383-KUDU-900 | 0       | E01  |                |         |      | 15133-KAM1-001 | 1       | E07  |
| 11394-LEA5-E00 | 3       | E04  |                |         |      | 15141-KKJ9-004 | 0       | E07  |
| 11395-LEA5-E00 | 1       | E01  | 14100-LEA6-910 | 1       | E02  | 1541A-KKC3-900 | 1       | E01  |
| <b>12000</b>   |         |      | 14401-KUDU-900 | 0       | E03  | 15421-1G07-001 | 1       | E04  |
| 12100-LEA6-900 | 6       | E03  | 14401-KUDU-90C | 0       | E03  | 15421-KKC3-900 | 1       | E01  |
| 12191-LEA6-900 | 4       | E03  | 14431-KKC1-900 | 0       | E02  | 15422-KKC3-900 | 3       | E01  |
|                |         |      | 14450-KEBE-900 | 0       | E02  | 15423-KKC3-900 | 1       | E01  |
|                |         |      | 14461-KEBE-900 | 0       | E02  | 15426-GAE1-921 | 0       | E04  |



## PART NO. INDEX

| PART NO.       | VERSION | PAGE | PART NO.       | VERSION | PAGE | PART NO.       | VERSION | PAGE |
|----------------|---------|------|----------------|---------|------|----------------|---------|------|
| 1565A-KEBE-900 | 0       | E04  |                |         |      | 17515-LEA5-E00 | 1       | F10  |
| 15711-KKC3-900 | 1       | E07  | <b>17000</b>   |         |      | 17520-LEA5-E0A | 6       | F19  |
| 15712-KEBE-900 | 0       | E07  |                |         |      | 17527-LBA2-900 | 0       | F19  |
| 15772-5L00-013 | 1       | F13  | 1711A-LEA6-900 | 4       | E02  | 17550-LEA6-900 | 4       | F10  |
| <b>16000</b>   |         |      | 17214-KKC3-900 | 0       | F13  | 17556-KKE3-900 | 5       | F10  |
|                |         |      | 17215-KGBG-90A | 2       | F13  | 17560-LEA6-E00 | 3       | F10  |
|                |         |      | 17215-KGBG-90B | 0       | F13  | 17563-KKE3-900 | 0       | F10  |
| 16056-KKE3-900 | 8       | E09  | 1721A-KKC3-900 | 1       | F13  | 17570-KKE3-900 | 0       | F10  |
| 16068-KKE3-900 | 4       | E09  | 17228-KKC3-900 | 2       | F21  | 17620-LLJ3-E0A | 3       | F19  |
| 16074-KEC3-900 | 4       | E09  | 17231-KKC3-900 | 3       | F13  | 17620-LLJ3-E0B | 3       | F19  |
| 1610K-LEA6-E00 | 2       | E09  | 17236-LEA5-900 | 0       | F13  | 17623-LAB4-90A | 1       | F19  |
| 16110-KGC5-900 | 1       | E09  | 1723A-LEA6-900 | 5       | F13  | 17623-LAB4-90B | 1       | F19  |
| 16110-KKE3-900 | 2       | E09  | 17254-KACA-P00 | 0       | F13  | 17681-LEA5-E00 | 2       | F10  |
| 16111-KKE3-900 | 1       | E09  | 17256-KKC4-900 | 0       | F13  | 17910-LEA6-E00 | 2       | F03  |
| 16112-KKE3-900 | 1       | E09  | 17256-KKE3-900 | 1       | E02  |                |         |      |
| 16118-KEC3-900 | 0       | E09  | 17257-LEA5-E00 | 4       | F13  | <b>18000</b>   |         |      |
| 16122-KEC3-900 | 0       | E09  | 17258-LEA5-E00 | 2       | F13  |                |         |      |
| 16133-KEC3-900 | 1       | E09  | 17368-KDB4-670 | 2       | F13  | 18291-KEBE-900 | 0       | F14  |
| 16134-KKE3-900 | 5       | E09  | 17369-KDB4-671 | 1       | F23  | 18291-LBA7-900 | 2       | F14  |
| 16138-KEC3-900 | 1       | E09  | 17370-4K19-701 | 0       | F13  | 18292-KEBE-900 | 0       | F14  |
| 16154-KKE3-900 | 4       | E09  | 17371-1D74-671 | 0       | F13  | 18293-KEBE-900 | 0       | F14  |
| 16160-KKE3-900 | 1       | E09  | 17500-LEA6-E00 | 3       | F10  | 18294-KEBE-900 | 0       | F14  |
| 16170-KEC3-900 | 0       | E09  | 17502-LEA5-E00 | 2       | F10  | 18294-LDB2-900 | 0       | F14  |
| 16195-KEC3-900 | 0       | E09  | 17504-LAB4-900 | 2       | F10  | 18307-LDB2-E00 | 0       | F14  |
| 16201-GFY6-910 | 1       | E02  | 17507-LAB4-900 | 2       | F10  | 1830A-LEA6-E01 | 1       | F14  |
| 16211-GFY6-901 | 0       | E02  | 17513-LEA5-E00 | 1       | F10  | 18318-LEA5-E00 | 2       | F14  |

## PART NO. INDEX

| PART NO.       | VERSION | PAGE | PART NO.       | VERSION | PAGE | PART NO.       | VERSION | PAGE |
|----------------|---------|------|----------------|---------|------|----------------|---------|------|
| 18325-LEA5-E00 | 3       | F14  | 19101-LEA5-E00 | 1       | F21  | 21395-LEA5-E00 | 2       | E05  |
| 18532-LEA6-E00 | 1       | F13  | 19104-LBA2-E00 | 1       | F21  |                |         |      |
| 18601-MAJ1-791 | 1       | E02  | 19105-LBA2-E00 | 1       | F21  | <b>22000</b>   |         |      |
| 18612-KEBE-900 | 0       | E02  | 19111-GBE2-004 | 1       | F21  |                |         |      |
| 18618-KHD6-900 | 0       | F23  | 19120-LEA5-E00 | 4       | F21  | 22101-KEBE-900 | 1       | E06  |
| 18645-GFY6-941 | 0       | E02  | 19210-KKC4-900 | 0       | F21  | 22102-KKC3-900 | 3       | E06  |
| 18646-GFY6-941 | 0       | E02  | 19211-LEA5-E00 | 4       | E08  | 22105-LEA6-900 | 1       | E06  |
| 18647-KEBE-900 | 0       | E02  | 19215-KKJ9-011 | 0       | E08  | 22110-KKC3-900 | 1       | E06  |
| 18656-LEA5-E00 | 2       | F23  | 19217-6G57-024 | 0       | E08  | 22112-KAAA-900 | 0       | E06  |
| 18657-KHB4-900 | 1       | F23  | 19221-KKC3-900 | 1       | E08  | 22121-LEA5-E00 | 1       | E06  |
| 1867A-LED9-900 | 0       | F23  | 19229-KKC3-900 | 0       | E08  | 22131-KAAA-900 | 1       | E06  |
| 1880A-KHB4-91A | 0       | F23  | 19231-LEA5-E00 | 1       | E08  | 22132-LEA6-900 | 1       | E06  |
| 1880A-KHB4-91B | 2       | F23  | 19232-LBA2-E00 | 2       | E08  | 22300-LEA6-900 | 3       | E06  |
| <b>19000</b>   |         |      | 19300-KAE1-004 | 1       | E08  | 22350-LEA6-900 | 2       | E06  |
|                |         |      | 19310-LEA6-900 | 1       | E08  | 22361-KGN7-671 | 1       | E06  |
|                |         |      | 19315-LDB2-E00 | 1       | E08  | 22401-KEB8-900 | 1       | E06  |
| 19005-KKC4-900 | 2       | F21  | 19411-KBCB-900 | 0       | F10  | 22530-KGN7-671 | 2       | E06  |
| 19010-LEA6-E00 | 2       | F21  | 19501-LEA5-E00 | 3       | E08  | 22804-GBB2-001 | 0       | E06  |
| 19012-KHD8-900 | 4       | F21  | 19502-KEBE-900 | 0       | E03  |                |         |      |
| 19013-LEA6-E00 | 3       | F21  | 19503-LEA6-900 | 1       | E08  | <b>23000</b>   |         |      |
| 19014-LEA6-E00 | 3       | F21  | 19504-LBA2-E00 | 3       | F10  |                |         |      |
| 19015-KKC4-900 | 2       | F21  | 19505-GFY6-940 | 3       | F21  | 2301A-LEA6-900 | 5       | E06  |
| 19016-LEA6-E00 | 1       | F21  |                |         |      | 23100-LEA6-900 | 1       | E06  |
| 19020-KED9-900 | 1       | F21  | <b>21000</b>   |         |      | 23200-KEBE-900 | 3       | E06  |
| 19025-LEA6-E00 | 1       | F21  |                |         |      | 23220-LEA6-900 | 2       | E06  |
| 19030-KHD8-900 | 2       | F21  | 21201-KFC8-305 | 0       | E05  | 23225-GHC8-004 | 0       | E06  |

## PART NO. INDEX

| PART NO.       | VERSION | PAGE | PART NO.       | VERSION | PAGE | PART NO.       | VERSION | PAGE |
|----------------|---------|------|----------------|---------|------|----------------|---------|------|
| 23226-GHC8-004 | 0       | E06  |                |         |      | 33402-LEA5-E00 | 0       | F17  |
| 23233-LEA6-900 | 1       | E06  | <b>31000</b>   |         |      | 33450-LEA5-E00 | 4       | F17  |
| 23237-KHG8-901 | 0       | E06  |                |         |      | 33452-LEA5-E00 | 0       | F17  |
| 23411-LEA6-E00 | 0       | E05  | 31110-LEA6-90A | 3       | E08  | 33607-KKD7-E00 | 0       | F18  |
| 23420-LEA6-E00 | 0       | E05  | 31110-LEA6-90B | 3       | E08  | 33700-LEA5-E00 | 2       | F18  |
| 23431-KFC8-900 | 2       | E05  | 31120-LEA6-90A | 2       | E08  | 33701-LEA5-E00 | 0       | F18  |
| 23432-LEA6-E00 | 0       | E05  | 31120-LEA6-90B | 2       | E08  | 33708-KHE7-E00 | 0       | F18  |
|                |         |      | 31210-LEA6-900 | 1       | E07  | 33710-LEA5-E00 | 0       | F18  |
| <b>28000</b>   |         |      | 31500-LEA6-900 | 3       | F11  | 33741-GFY6-C30 | 1       | F18  |
|                |         |      | 31500-LEA6-90B | 1       | F11  | 33741-KHC5-M00 | 0       | F18  |
| 28101-KKJ9-011 | 0       | E07  | 31600-LDG7-900 | 1       | F19  | 33900-KFBF-900 | 0       | F12  |
| 28102-KKJ9-001 | 0       | E07  |                |         |      |                |         |      |
| 28110-LEA6-900 | 1       | E07  | <b>32000</b>   |         |      | <b>34000</b>   |         |      |
| 28120-LDB2-E00 | 0       | E07  |                |         |      |                |         |      |
| 28131-KGN7-671 | 0       | E07  | 32100-LEA6-900 | 9       | F19  | 34300-KKE3-900 | 4       | E09  |
| 28211-KFC8-900 | 0       | E06  | 32108-GFY6-901 | 0       | F19  | 34301-KKE3-900 | 2       | E09  |
|                |         |      | 32410-LEA5-E00 | 2       | E07  | 34901-KED9-900 | 0       | F01  |
| <b>30000</b>   |         |      | 32411-LEA5-E00 | 2       | F11  | 34903-KPCP-900 | 0       | F01  |
|                |         |      | 32412-LEA5-E00 | 2       | F11  | 34903-KPCP-900 | 0       | F18  |
| 30300-KEBE-900 | 2       | E08  |                |         |      | 34905-KPCP-900 | 0       | F18  |
| 30301-KEBE-90B | 0       | E08  | <b>33000</b>   |         |      | 34905-LBA7-E00 | 0       | F17  |
| 3051A-LEA6-900 | 7       | F19  |                |         |      | 34906-KPCP-900 | 0       | F18  |
| 30700-LEA6-900 | 2       | F19  | 33100-LEA5-E00 | 4       | F01  | 34909-KFBF-900 | 0       | F12  |
|                |         |      | 33120-LEA5-E00 | 1       | F01  |                |         |      |
|                |         |      | 33130-LEA5-E00 | 0       | F01  |                |         |      |
|                |         |      | 33400-LEA5-E00 | 4       | F17  |                |         |      |

## PART NO. INDEX

| PART NO.       | VERSION           | PAGE | PART NO.       | VERSION        | PAGE           | PART NO.       | VERSION        | PAGE           |     |     |
|----------------|-------------------|------|----------------|----------------|----------------|----------------|----------------|----------------|-----|-----|
| <b>35000</b>   |                   |      | 37750-PAC1-005 | 0              | E08            | 39500-KKE3-800 | 4              | E02            |     |     |
|                |                   |      | 37760-KHD8-900 | 0              | F21            | 39600-KKE3-800 | 1              | F10            |     |     |
|                |                   |      | 37801-GGA7-701 | 1              | F10            | 39601-KKE3-900 | 0              | F10            |     |     |
|                | 35101-LEA5-315-M1 | 0    | F19            | 37802-GGA7-701 | 2              | F10            | 39602-KKE3-900 | 0              | F10 |     |
|                | 35101-LEA5-315-M2 | 0    | F19            | 3780A-LEA5-E00 | 1              | F10            | 39701-KKE3-800 | 0              | E09 |     |
|                | 35102-KHC4-900    | 2    | F19            | <b>38000</b>   |                |                | 39702-LEJ8-E00 | 2              | E09 |     |
|                | 35102-KHC4-90B    | 1    | F19            |                |                |                | 39703-KKE3-900 | 2              | E09 |     |
|                | 35104-KHC4-90A    | 0    | F19            |                |                |                | 39704-LEA6-900 | 1              | E09 |     |
|                | 35104-KHC4-90B    | 0    | F19            |                | 3800A-KKC4-900 | 1              | F19            | 39705-KKE3-900 | 2   | E09 |
|                | 3515A-LBF6-E00    | 2    | F03            |                | 38110-LEA5-E00 | 1              | F19            | 39706-KKE3-900 | 1   | E09 |
|                | 3520A-KEBE-900    | 2    | F03            |                | 38200-KHE7-900 | 0              | F19            | 3970A-KKE3-800 | 3   | E09 |
|                | 35340-KKC4-80A    | 0    | F19            | 38300-LEA5-E0A | 1              | F19            | <b>42000</b>   |                |     |     |
|                | 35340-KKC4-80B    | 0    | F19            | 38500-KHD8-900 | 0              | F11            |                |                |     |     |
|                | 35340-KNBN-901    | 0    | F04            | 38500-KHD8-90A | 0              | F11            |                |                |     |     |
|                | 35350-KNBN-901    | 0    | F04            | 38773-PKB9-001 | 0              | F21            |                | 42311-LEA5-E00 | 1   | F08 |
|                | 35370-KEC8-E00    | 3    | F15            | <b>39000</b>   |                |                |                | 42312-KEBE-900 | 0   | F08 |
| 35380-KKE3-900 | 2                 | F19  |                |                |                | 42601-KHD8-90A |                | 3              | F08 |     |
| 35850-KHD8-900 | 1                 | F19  |                |                |                | 42601-KHD8-90B |                | 2              | F08 |     |
| 35850-KHD8-90A | 0                 | F19  | 39100-KHD8-900 |                | 0              | F19            |                | 42601-KHD8-90C | 2   | F08 |
| <b>37000</b>   |                   |      | 3920A-LEA6-800 |                | 3              | F19            |                | 42710-KKC2-E00 | 2   | F08 |
|                |                   |      | 39300-LEA6-800 |                | 3              | E02            |                | 42753-KNBN-90B | 1   | F07 |
|                |                   |      | 39301-LEA6-900 | 4              | E02            | 42753-KNBN-90B | 1              | F08            |     |     |
|                | 37119-LEA5-E0A    | 0    | F02            | 39302-KKE3-900 | 2              | E02            | <b>43000</b>   |                |     |     |
|                | 37200-LEA6-E0A    | 2    | F02            | 39303-LEA6-900 | 2              | E02            |                |                |     |     |
|                | 37213-LDA6-900    | 0    | F02            | 39400-LEA6-800 | 2              | E08            |                |                |     |     |
|                | 37720-KGB5-900    | 0    | E08            | 39450-LEA6-800 | 2              | F14            |                | 43100-LEA5-900 | 1   | F08 |

## PART NO. INDEX

| PART NO.       | VERSION | PAGE | PART NO.       | VERSION | PAGE | PART NO.       | VERSION | PAGE |
|----------------|---------|------|----------------|---------|------|----------------|---------|------|
| 43126-LEA5-E00 | 5       | F04  |                |         |      | 45215-KECE-900 | 0       | F08  |
| 43150-LEA5-306 | 0       | F08  | <b>45000</b>   |         |      | 45216-1F66-007 | 0       | F07  |
| 43156-KKC4-900 | 1       | F04  |                |         |      | 45216-1F66-007 | 0       | F08  |
| 43156-LDB2-900 | 1       | F04  | 45107-MEN5-007 | 0       | F07  | 45216-KFW6-90A | 0       | F07  |
| 43156-LEA5-E00 | 3       | E03  | 45107-MEN5-007 | 0       | F08  | 45216-KFW6-90A | 0       | F08  |
| 43210-KEBE-900 | 2       | F08  | 45108-MDL4-007 | 2       | F07  | 45351-LEA5-E00 | 2       | F07  |
| 43215-KEBE-900 | 0       | F08  | 45108-MDL4-007 | 2       | F08  | 45513-KHD4-B00 | 2       | F04  |
| 43351-KHE7-E00 | 3       | F08  | 45109-GBE2-007 | 0       | F07  | 45517-KFAF-910 | 0       | F04  |
| 43352-5H68-004 | 3       | F07  | 45109-GBE2-007 | 0       | F08  | 45520-GLW0-91A | 0       | F04  |
| 43352-5H68-004 | 3       | F08  | 45126-LEA5-E00 | 4       | F04  | 45530-KHD4-305 | 0       | F04  |
| 43353-4A61-77A | 0       | F07  | 45128-KEBE-900 | 0       | F06  | 45531-GAR1-951 | 0       | F07  |
| 43353-4A61-77A | 0       | F08  | 45131-1F66-017 | 0       | F07  | 45531-GAR1-951 | 0       | F08  |
| 43530-KHD4-305 | 0       | F04  | 45131-1F66-017 | 0       | F08  |                |         |      |
| <b>44000</b>   |         |      | 45131-GBE2-007 | 1       | F07  | <b>50000</b>   |         |      |
|                |         |      | 45131-GBE2-007 | 1       | F08  |                |         |      |
|                |         |      | 45132-1F66-017 | 0       | F07  | 50100-LEA6-E00 | 4       | F20  |
| 44301-KXCX-900 | 4       | F07  | 45132-1F66-017 | 0       | F08  | 50153-KKE3-900 | 2       | F19  |
| 44311-KEBE-900 | 0       | F07  | 45133-MCA3-007 | 0       | F07  | 50154-KKE3-900 | 2       | F19  |
| 44620-KHD8-900 | 1       | F07  | 45133-MCA3-007 | 0       | F08  | 50171-LEA5-E00 | 6       | F20  |
| 44650-LEA5-305 | 0       | F07  | 45150-LLB5-305 | 0       | F07  | 50172-LEA5-E00 | 6       | F20  |
| 44710-LEA5-E00 | 1       | F07  | 45156-KECE-900 | 2       | F06  | 50197-LEA5-E00 | 3       | F10  |
| 44800-LEA5-E00 | 2       | F07  | 45200-LEA5-E00 | 1       | F07  | 50301-KGN7-671 | 2       | F20  |
| 44830-KGBG-900 | 3       | F02  | 45209-GBE2-007 | 0       | F07  | 50302-2H68-011 | 2       | F20  |
| 44831-KGBG-900 | 0       | F02  | 45209-GBE2-007 | 0       | F08  | 50306-1F96-001 | 0       | F06  |
|                |         |      | 45210-LEA5-E00 | 0       | F07  | 50326-LEA5-E00 | 2       | F11  |
|                |         |      | 45215-KECE-900 | 0       | F07  | 5032A-LEA5-E00 | 3       | F11  |

## PART NO. INDEX

| PART NO.       | VERSION | PAGE | PART NO.       | VERSION | PAGE | PART NO.       | VERSION | PAGE |
|----------------|---------|------|----------------|---------|------|----------------|---------|------|
| 50350-LEA5-B20 | 1       | F20  | 51423-KKAK-900 | 0       | F22  | 53211-GFY6-940 | 1       | F06  |
| 50352-GFY6-901 | 0       | F20  | 51427-KKAK-900 | 0       | F22  | 53212-2L50-011 | 1       | F06  |
| 50356-KHE7-E00 | 0       | F20  | 51428-KKAK-900 | 0       | F22  | 53214-2L50-001 | 0       | F06  |
| 50502-GFY6-901 | 3       | F15  | 51429-KHD8-900 | 0       | F22  | 53215-2L50-001 | 0       | F06  |
| 50504-LEA5-E01 | 2       | E01  | 51500-LEA5-E00 | 2       | F06  |                |         |      |
| 50505-KUDU-900 | 1       | F15  | 51520-KHD8-900 | 0       | F22  | <b>61000</b>   |         |      |
| 50505-LAD9-900 | 3       | F15  |                |         |      |                |         |      |
| 50505-LEA7-E00 | 0       | F15  | <b>52000</b>   |         |      | 61100-LEA5-E00 | 4       | F06  |
| 50506-KHE7-E00 | 0       | F15  |                |         |      | 61113-LEA5-E00 | 1       | F06  |
| 5050A-LEA5-E00 | 6       | F15  | 52000-LEA5-E00 | 6       | F16  | 61123-LEA5-E00 | 1       | F06  |
| 50530-LEA5-E00 | 4       | F15  | 52400-LEA5-E00 | 3       | F16  |                |         |      |
| 50550-KEB7-E00 | 1       | F15  |                |         |      | <b>64000</b>   |         |      |
| 50613-LEA5-E00 | 4       | F20  | <b>53000</b>   |         |      |                |         |      |
| 5071A-LDC1-91A | 1       | F20  |                |         |      | 64206-MLJ0-001 | 1       | F12  |
| 5071A-LDC1-91B | 1       | F20  | 53100-LEA5-E00 | 4       | F03  | 64210-LEA5-E00 | 5       | F05  |
| 5071B-LDC1-91A | 1       | F20  | 53102-LEA5-E00 | 3       | F03  | 64214-LEA5-E00 | 1       | F05  |
| 5071B-LDC1-91B | 1       | F20  | 53105-LEA5-E00 | 3       | F03  | 6421B-LEA5-E00 | 2       | F05  |
| <b>51000</b>   |         |      | 53125-GEN5-901 | 0       | F03  | 64222-KKC4-900 | 3       | F05  |
|                |         |      | 53140-KKC3-900 | 0       | F03  | 64301-LEA5-E00 | 2       | F05  |
|                |         |      | 53166-KGB5-900 | 0       | F03  | 64303-LEA5-E00 | 4       | F05  |
| 51400-LEA5-E00 | 2       | F06  | 53175-LEA5-E00 | 1       | F04  | 64304-LEA5-E00 | 2       | F05  |
| 51401-LEA5-E00 | 0       | F22  | 53178-LEA5-E00 | 1       | F04  | 64305-LEA5-E00 | 3       | F05  |
| 51410-LEA5-E00 | 0       | F22  | 53200-KKC2-900 | 2       | F06  | 64306-LEA5-E00 | 3       | F05  |
| 51412-KHD8-900 | 0       | F22  | 53204-LEA5-E00 | 2       | F05  | 64310-LEA5-E00 | 3       | F05  |
| 51420-KHD8-900 | 0       | F22  | 53205-LEA5-E00 | 3       | F03  | 64315-LEA6-E00 | 5       | F20  |
| 51422-KEC8-900 | 0       | F22  | 53206-LEA5-E00 | 3       | F03  | 64316-KHE2-900 | 1       | F05  |

## PART NO. INDEX

| PART NO.       | VERSION | PAGE | PART NO.       | VERSION | PAGE | PART NO.       | VERSION      | PAGE |  |
|----------------|---------|------|----------------|---------|------|----------------|--------------|------|--|
| 64400-LEA5-E00 | 2       | F05  | 81142-KUDU-900 | 1       | F05  | <b>87000</b>   |              |      |  |
| <b>77000</b>   |         |      | 81202-KKC4-900 | 0       | F12  |                |              |      |  |
|                |         |      | 81205-LEA5-E00 | 2       | F12  |                |              |      |  |
|                |         |      | 8120A-LEA5-E00 | 2       | F12  | 87140-LDG7-E00 | 2            | F25  |  |
| 77200-LEA5-305 | 0       | F09  | 81251-LAB4-900 | 3       | F12  | 87140-LEA6-900 | 1            | F25  |  |
| 77206-KEB7-900 | 0       | F09  | 81253-LEA5-E00 | 3       | F12  | 87140-LEA6-E00 | 1            | F25  |  |
| 77210-LEA5-E00 | 2       | F09  | 81260-LEA6-E00 | 3       | F12  | 87505-LEA5-E00 | 1            | F24  |  |
| 77235-KKC4-80A | 0       | F19  | <b>83000</b>   |         |      | 87541-GAR1-E00 | 1            | F24  |  |
| 77235-KKC4-80B | 0       | F19  |                |         |      | 87542-GAR1-E00 | 2            | F24  |  |
| 77240-LEA5-E0A | 2       | F19  |                |         |      | 87560-GFY6-E00 | 3            | F24  |  |
| 77240-LEA5-E0B | 2       | F19  | 83500-LEA5-E00 | 2       | F12  | 87571-HCKC-B00 | 6            | F24  |  |
| 77300-LEA5-E00 | 0       | F09  | 83503-KHD6-900 | 2       | F20  | <b>88000</b>   |              |      |  |
| 77303-LEA5-E00 | 1       | F09  | 83520-LEA5-E00 | 2       | F05  |                |              |      |  |
| <b>80000</b>   |         |      | 83600-LEA5-E00 | 2       | F12  |                |              |      |  |
|                |         |      | 83605-LEA5-E00 | 2       | F13  | 88110-LEA6-900 | 4            | F03  |  |
|                |         |      | 8360A-LEA5-E00 | 3       | F13  | 88120-LEA6-900 | 4            | F03  |  |
| 80104-LBA2-E00 | 1       | F12  | 83620-LEA5-E00 | 2       | F05  | <b>89000</b>   |              |      |  |
| 80105-LEA5-E00 | 3       | F18  | 83751-LEA5-E00 | 3       | F12  |                |              |      |  |
| 80106-LEA5-E00 | 6       | F18  | 8375A-LEA5-E00 | 2       | F12  |                |              |      |  |
| 8010B-LEA5-E00 | 0       | F18  | 8376A-KEBE-900 | 4       | F05  | 89010-LEA5-E00 | 1            | F09  |  |
| 80151-LEA5-E00 | 2       | F12  | <b>86000</b>   |         |      | 89013-KFC8-E00 | 1            | F09  |  |
| <b>81000</b>   |         |      |                |         |      |                | <b>90000</b> |      |  |
|                |         |      |                |         |      |                |              |      |  |
|                |         |      | 86102-LCD3-E00 | 3       | F25  |                |              |      |  |
| 81131-LEA5-E00 | 3       | F05  | 86102-LEA5-E00 | 1       | F25  | 90001-GBHB-661 | 2            | F21  |  |
| 81136-LEA5-E00 | 3       | F05  | 86202-LEA5-E00 | 1       | F25  | 90012-3C33-001 | 2            | E02  |  |

## PART NO. INDEX

| PART NO.       | VERSION | PAGE | PART NO.          | VERSION | PAGE | PART NO.          | VERSION | PAGE |
|----------------|---------|------|-------------------|---------|------|-------------------|---------|------|
| 90021-GFY6-900 | 2       | F14  | 90114-KXCX-900    | 1       | F13  | 90305-GHK8-001    | 1       | F05  |
| 90031-KEBE-900 | 0       | E01  | 90116-KHD8-900    | 0       | F22  | 90305-GHK8-001    | 1       | F12  |
| 90031-LEA6-900 | 1       | E01  | 90117-KED9-900    | 1       | F20  | 90305-KFW6-900    | 1       | F08  |
| 90032-KEBE-900 | 0       | E01  | 90121-KHE7-E00    | 0       | F20  | 90306-KLF0-004-SY | 1       | F07  |
| 90033-GFY6-900 | 0       | E02  | 90122-KEBE-900    | 2       | F07  | 90312-LCD3-E01    | 0       | F05  |
| 90084-LEA5-001 | 1       | E04  | 90131-KFAF-900    | 2       | F16  | 90381-GEZ5-001    | 1       | F12  |
| 9008A-LEA5-001 | 1       | E04  | 90131-LEA5-E00    | 1       | F08  | 90401-KKJ9-001    | 0       | E08  |
| 90101-KGC4-E00 | 1       | F09  | 90145-MKS9-61A    | 1       | F04  | 90403-KGN7-671    | 0       | E06  |
| 90103-LEA5-E00 | 1       | F14  | 90201-KHR8-75A    | 0       | E08  | 90411-KAM1-001    | 0       | E05  |
| 90105-KCR3-001 | 1       | F07  | 90202-KGN7-671    | 0       | E06  | 90421-KAM1-004    | 0       | E03  |
| 90105-KCR3-001 | 1       | F08  | 90206-0A01-001    | 1       | E02  | 90423-KKJ9-001    | 0       | E08  |
| 90105-KFC2-900 | 0       | F12  | 90301-6D34-671    | 1       | F21  | 90428-9H58-001    | 0       | E08  |
| 90106-GEN5-901 | 0       | F03  | 90301-GFY6-901    | 2       | F14  | 90446-3G57-001    | 0       | E05  |
| 90106-KFC2-900 | 0       | F03  | 90302-GFY6-901    | 1       | F05  | 90465-MDC4-001    | 0       | E02  |
| 90106-KFC2-900 | 0       | F12  | 90302-GFY6-901    | 1       | F06  | 90474-3C33-001    | 1       | E05  |
| 90106-KHE7-E00 | 0       | F20  | 90302-GFY6-940    | 1       | F02  | 90478-7L00-001    | 0       | E03  |
| 90108-KKC4-900 | 1       | F15  | 90302-GFY6-940    | 1       | F11  | 90478-7L00-001    | 0       | E08  |
| 90110-KEB7-900 | 1       | F06  | 90302-GFY6-940    | 1       | F18  | 9052A-GFY6-950    | 3       | E01  |
| 90110-KEBE-900 | 0       | F14  | 90302-LLB1-E00    | 2       | F03  | 90544-KEC8-900    | 0       | F22  |
| 90110-KED9-900 | 2       | F05  | 90302-SDA4-004    | 2       | F05  | 90545-3L00-001    | 2       | F04  |
| 90110-KED9-900 | 2       | F12  | 90302-SDA4-004    | 2       | F12  | 90605-1F66-721    | 0       | E06  |
| 90110-LCD1-E00 | 2       | F05  | 90302-SDA4-004    | 2       | F18  | 90652-GFY6-901    | 1       | F13  |
| 90112-KNBN-901 | 1       | F11  | 90304-4H38-001    | 2       | E02  | 90652-LCA4-E00    | 1       | F05  |
| 90112-KNBN-901 | 1       | F12  | 90304-4H38-001    | 2       | F18  | 90656-KCBC-900    | 0       | F19  |
| 90114-1F66-007 | 2       | F04  | 90304-GHE8-004-SY | 0       | F03  | 90656-KUDU-900    | 0       | F19  |
| 90114-GDM4-011 | 2       | F13  | 90304-GHE8-004-SY | 0       | F20  | 90677-GAR1-004    | 1       | F11  |



## PART NO. INDEX

| PART NO.       | VERSION | PAGE | PART NO.       | VERSION | PAGE | PART NO.       | VERSION | PAGE |
|----------------|---------|------|----------------|---------|------|----------------|---------|------|
| 90677-GAR1-004 | 1       | F18  | 91302-5G67-004 | 0       | E04  | 93500-04008-0H | 0       | F10  |
| 90683-GAR1-004 | 4       | F18  | 91302-5G67-004 | 0       | E08  | 93500-04014-06 | 0       | E02  |
| 90701-HFB6-011 | 1       | E03  | 91303-3G77-001 | 0       | E04  | 93500-04020-0G | 0       | F19  |
| 90754-GHC8-00A | 1       | F07  | 91307-0E35-001 | 0       | E04  | 93500-05010-0H | 0       | F10  |
| 90754-GHC8-00B | 1       | F07  | 91384-KEBE-900 | 0       | E06  | 93500-05016-0H | 0       | E08  |
| 90912-KFLF-00A | 0       | F07  | 91407-SGA7-004 | 0       | F13  | 93500-05016-1B | 0       | F03  |
| 90914-LEA6-E00 | 2       | F21  | 91981-KGN7-670 | 0       | E07  | 93500-05025-1B | 0       | F03  |
| <b>91000</b>   |         |      | <b>92000</b>   |         |      | 93500-05032-1B | 0       | F03  |
| 91001-GFY6-90A | 2       | E06  | 92000-06028-0H | 0       | E07  | 93500-05045-1B | 0       | F03  |
| 91002-GGA7-70A | 0       | E06  | 92000-LEA6-900 | 1       | E08  | 93500-KHC4-90A | 0       | F19  |
| 91003-KDS4-004 | 1       | E05  | 92712-06028-0B | 1       | E02  | 93600-04012-1G | 0       | F04  |
| 91009-GLE0-004 | 1       | E05  |                |         |      | 93700-05018-0H | 0       | F02  |
| 91014-LLJ3-E00 | 1       | F06  | <b>93000</b>   |         |      | 93891-05016-08 | 0       | E09  |
| 91015-LLJ3-E00 | 1       | F06  |                |         |      | 93891-05016-08 | 0       | F13  |
| 91051-KFBF-901 | 1       | F16  | 93401-04025-08 | 0       | F19  | 93892-04022-08 | 0       | F19  |
| 91104-KGN7-671 | 0       | E01  | 93401-05020-08 | 0       | F19  | 93892-05010-08 | 0       | E09  |
| 91105-KGN7-672 | 0       | E05  | 93404-06016-06 | 0       | F12  | 93893-04012-18 | 0       | F04  |
| 91202-KGB4-C00 | 1       | E08  | 93404-06016-06 | 0       | F15  | 93901-32220    | 0       | F18  |
| 91202-KKJ9-004 | 0       | E01  | 93404-06016-06 | 0       | F18  | 93901-34320    | 0       | F18  |
| 91211-KEBE-900 | 0       | E06  | 93404-06020-06 | 1       | F05  | 93903-24320    | 0       | F12  |
| 91255-GLE0-006 | 0       | E05  | 93404-KKC2-900 | 1       | F05  | 93903-24360    | 0       | F01  |
| 91261-4E15-004 | 0       | E01  | 93404-KKC2-900 | 1       | F18  | 93903-25460    | 0       | F13  |
| 91301-KHE7-900 | 0       | E08  | 93404-KKC2-900 | 1       | F20  | 93903-34360    | 0       | F03  |
| 91302-0A01-021 | 0       | E04  | 93500-03010-1A | 0       | E07  | 93903-34360    | 0       | F05  |
|                |         |      |                |         |      | 93903-34360    | 0       | F12  |
|                |         |      |                |         |      |                | 0       | F13  |

## PART NO. INDEX

| PART NO.       | VERSION | PAGE | PART NO.       | VERSION | PAGE | PART NO.       | VERSION     | PAGE |     |
|----------------|---------|------|----------------|---------|------|----------------|-------------|------|-----|
| 93903-34360    | 0       | F17  | 94050-12080    | 0       | E06  | <b>95000</b>   |             |      |     |
| 93903-34360    | 0       | F18  | 94101-06700    | 0       | F14  |                |             |      |     |
| 93903-34460    | 0       | F01  | 94101-08700    | 0       | F15  |                |             |      |     |
| 93903-34460    | 0       | F18  | 94101-KKE3-900 | 1       | E09  |                | 95002-02070 | 0    | F10 |
| 93903-35220    | 0       | F21  | 94111-06800    | 0       | E09  |                | 95002-02070 | 0    | F21 |
| 93903-35320    | 0       | F02  | 94251-08400    | 0       | F15  |                | 95002-02070 | 0    | F23 |
| 93903-35320    | 0       | F13  | 94301-08140    | 0       | E01  |                | 95002-02080 | 0    | E05 |
| 93903-35360    | 0       | F10  | 94301-08140    | 0       | E04  |                | 95002-02100 | 0    | F21 |
| 93903-GFY6-900 | 1       | F05  | 94301-08140    | 0       | E05  |                | 95002-02120 | 1    | F13 |
| 93903-GFY6-900 | 1       | F12  | 94301-08140    | 0       | E08  |                | 95002-02130 | 0    | F10 |
| <b>94000</b>   |         |      | 94301-10160    | 0       | E02  | 95002-40650-08 | 0           | F10  |     |
|                |         |      | 94301-10160    | 0       | E03  | 95002-41050-08 | 0           | E09  |     |
|                |         |      | 94303-04065    | 0       | E07  | 95002-41200-08 | 0           | E09  |     |
|                |         |      | 94510-10000    | 0       | E07  | 95002-41250-08 | 0           | F10  |     |
| 94050-05080    | 0       | F18  | 94510-14000    | 0       | E08  | 95002-70000    | 0           | F21  |     |
| 94050-06060    | 0       | F04  | 94510-20000    | 0       | E05  | 95002-KGN7-910 | 1           | E03  |     |
| 94050-06080    | 0       | E09  | 94520-28000    | 0       | E06  | 95002-KGN7-910 | 1           | E08  |     |
| 94050-06080    | 0       | F01  | 94520-40000    | 0       | F16  | 95002-KGN7-910 | 1           | F21  |     |
| 94050-06080    | 0       | F09  | 94540-50029    | 0       | E09  | 95002-KHE7-900 | 0           | E08  |     |
| 94050-06080    | 0       | F10  | 94591-KFBF-900 | 2       | E08  | 95002-KHE7-900 | 0           | F21  |     |
| 94050-06080    | 0       | F11  | 94591-KFBF-900 | 2       | F10  | 95002-KKD6-E05 | 0           | F23  |     |
| 94050-06080    | 0       | F18  | 94601-15000    | 0       | E03  | 95002-KKE3-900 | 2           | F10  |     |
| 94050-06080    | 0       | F19  | 94601-33000    | 0       | E06  | 95003-23031-60 | 0           | F13  |     |
| 94050-06080    | 0       | F20  | 94605-KHD8-900 | 0       | F22  | 95004-LEA6-E00 | 1           | F13  |     |
| 94050-06080    | 0       | F21  | 94608-30000    | 0       | F22  | 95014-72204    | 0           | F15  |     |
| 94050-08080    | 0       | E02  |                |         |      | 95701-06012-06 | 1           | F06  |     |
| 94050-08080    | 0       | F19  |                |         |      |                |             |      |     |

## PART NO. INDEX

| PART NO.       | VERSION | PAGE | PART NO.       | VERSION | PAGE | PART NO.       | VERSION | PAGE |
|----------------|---------|------|----------------|---------|------|----------------|---------|------|
| 95701-06012-06 | 1       | F21  | 96001-06014-08 | 0       | F19  | 96001-LEA6-900 | 1       | E01  |
| 95701-06012-08 | 0       | F11  | 96001-06016-08 | 0       | E01  | 96100-62030-00 | 0       | E01  |
| 95701-06012-08 | 0       | F18  | 96001-06016-08 | 0       | E02  | 96220-60100    | 0       | E07  |
| 95701-06012-08 | 0       | F19  | 96001-06016-08 | 0       | E07  | 96600-08015-10 | 1       | E07  |
| 95701-06016-06 | 1       | F21  | 96001-06018-08 | 0       | E03  |                |         |      |
| 95701-06020-06 | 1       | F06  | 96001-06018-08 | 0       | E08  | <b>98000</b>   |         |      |
| 95701-06022-06 | 1       | F14  | 96001-06020-08 | 0       | E08  |                |         |      |
| 95701-06025-08 | 0       | E02  | 96001-06022-06 | 1       | E08  | 98069-5691R-00 | 0       | E02  |
| 95701-08012-06 | 0       | F12  | 96001-06022-06 | 1       | F04  | 98200-31000    | 1       | F11  |
| 95701-08012-08 | 0       | E01  | 96001-06022-08 | 0       | E03  | 98200-31000    | 1       | F19  |
| 95701-08012-08 | 0       | E05  | 96001-06025-08 | 0       | E02  | 98200-31500    | 0       | F11  |
| 95701-08030-08 | 0       | F16  | 96001-06028-06 | 0       | E08  | 98200-31500    | 0       | F19  |
| 95701-08050-08 | 0       | F20  | 96001-06032-06 | 0       | F20  | 98200-32000    | 0       | F11  |
| 95701-LEA5-E00 | 1       | F19  | 96001-06032-08 | 0       | E02  | 98200-32000    | 0       | F19  |
| 95801-08040-06 | 0       | F06  | 96001-06040-08 | 0       | E01  |                |         |      |
| 95801-10025-08 | 0       | F15  | 96001-06040-08 | 0       | E04  |                |         |      |
| 95801-10035-08 | 0       | F16  | 96001-06040-08 | 0       | E05  |                |         |      |
| <b>96000</b>   |         |      | 96001-06045-08 | 0       | E04  |                |         |      |
|                |         |      | 96001-06045-08 | 0       | E05  |                |         |      |
|                |         |      | 96001-06050-08 | 0       | E01  |                |         |      |
| 96001-06008-07 | 0       | F14  | 96001-06050-08 | 0       | E02  |                |         |      |
| 96001-06010-00 | 0       | E08  | 96001-06060-08 | 0       | E01  |                |         |      |
| 96001-06012-06 | 0       | F04  | 96001-06120-08 | 0       | E01  |                |         |      |
| 96001-06014-08 | 0       | E02  | 96001-06120-08 | 0       | E04  |                |         |      |
| 96001-06014-08 | 0       | E07  | 96001-06125-08 | 0       | E01  |                |         |      |
| 96001-06014-08 | 0       | F10  | 96001-GFY6-900 | 1       | E02  |                |         |      |